

SLIDING DOOR Installation & Maintenance Instructions



Important Notes :

Please Read Carefully & retain these instructions for Future Reference.

1. For ease & safety we advise that two persons assemble this product.
2. Protect shower tray surfaces at all times.
3. Check for cables, pipes etc before drilling walls.
4. Ensure all surfaces are dry, clean & free of loose debris / dust.
5. Unpack goods with care (small parts can become lodged in packaging & inadvertently discarded). Check parts supplied against parts & fittings listed herein. Damaged parts / omissions may be resolved by calling Helpline.
6. Whilst precautions are taken in manufacture, care must be taken when handling as rail ends may have sharp edges.
7. Before commencing, check :
 - a) shower tray is level & completely sealed to finished / tiled walls.
 - b) finished walls are sound & free of cracks loose tiles / grout.
8. AFTER INSTALLATION, DO NOT 'WET' ENCLOSURE FOR 48 HOURS TO ENSURE FULL CURE OF SILICONE SEALANT.

Use :

General Care & Maintenance.

Provided this product is installed & operated in accordance with these instructions, problems should not arise. However should maintenance be required it should be carried out by a competent person with reference to these instructions. Before any work is carried out the root cause of the problem must be identified. Service engineers are available to consult / carry out remedial work ~ call Helpline.

Cleaning.

(Every one to two weeks depending on local water {hardness} conditions).

All glass panels in this product have a hydrophobic coating aiding 'runoff' of water droplets, reducing the need for frequent cleaning. For best appearance / product life however, regular cleaning is recommended.

Use ONLY mild soap / detergent solutions to clean. Rinse with water, squeegee glass panels & wipe frames dry with a soft cloth. Under no circumstances should abrasive, caustic or scouring products be used. DO NOT use 'spray & leave' type cleaning products. Non compliance with these cleaning instructions may cause plated / painted finishes to deteriorate & could adversely affect safe operation of the enclosure.

Limescale ~ should a build up of limescale occur, remove using a 50:50 solution of white vinegar & water applied with a soft cloth & rinsed / dried thoroughly afterwards.

Daily Care.

To prevent the build up of limescale, do not allow water droplets to dry on glass or frames. After showering, rinse with water, remove droplets from glass with a squeegee & wipe frame with a soft cloth.

Customer Service.

Quality Guarantee : Shower Doors & Enclosures are guaranteed against any manufacturing or material defects for a period of 10 years from purchase. Defects will be resolved free of charge by repairing or replacing parts as we feel necessary. To be 'free of charge' service work must be carried out by approved agents. Call Helpline.

Not Covered by this Guarantee : Damage or defects that result from improper installation, improper use, or lack of maintenance (including limescale buildup). Damage or defects that result from repairs or modifications undertaken by unauthorized persons.

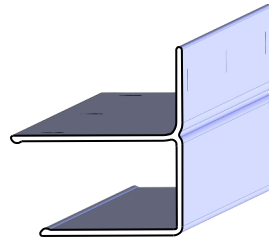
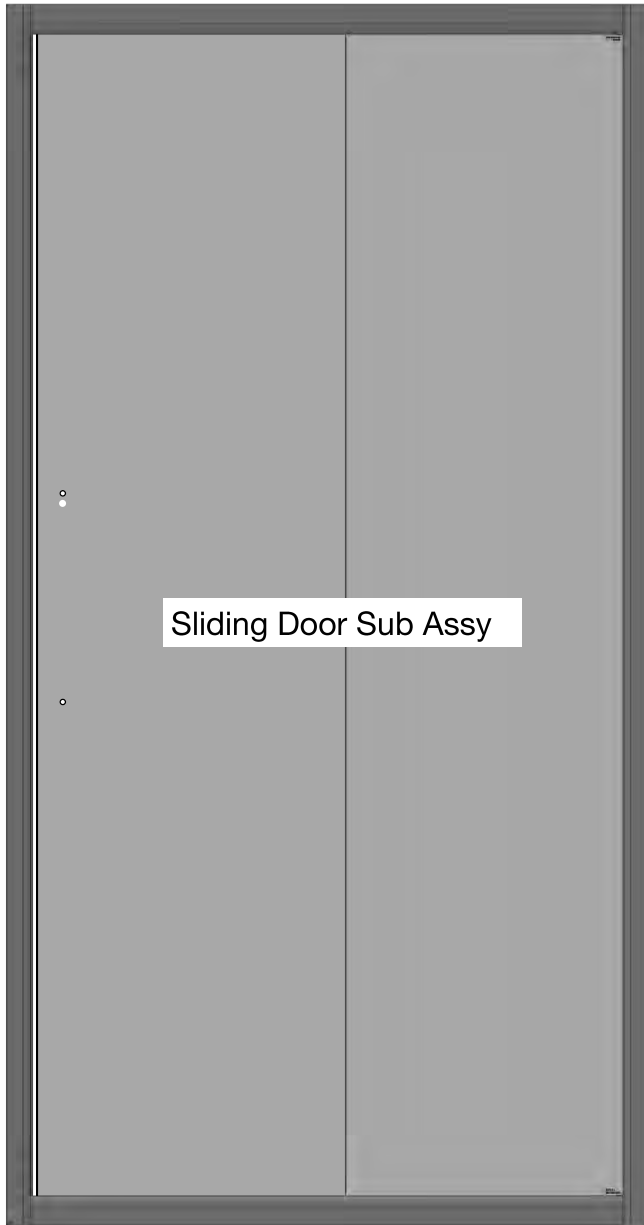
This guarantee is in addition to statutory & other legal rights.

What to do if something goes wrong : Should the product not function correctly on initial use, firstly, contact the installer to check that unit installation & commissioning are in accordance with these instructions. Should this not resolve difficulties or should performance decline, consult 'Troubleshooting' section to see if simple home maintenance is needed.

Alternatively our Helpline staff can assist, or if necessary arrange for a service engineer to visit.

Spares : We maintain extensive spare part stocks. Spares can be ordered / purchased from your retailer in the first instance. Parts will normally be dispatched within two working days from order placement.

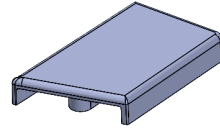
Supplied Parts : Pre Built Units



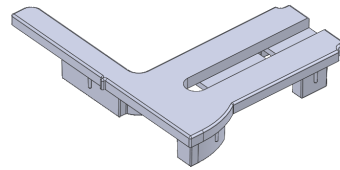
Wall Profile 2x



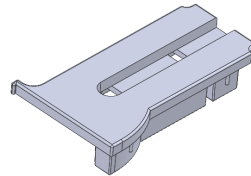
Door Handle Kit



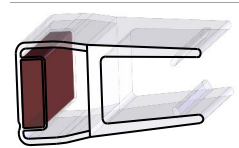
Top Cap (wall profile)
handed pair



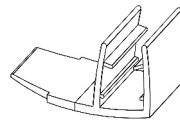
Top Cap (vert closing frame)
handed



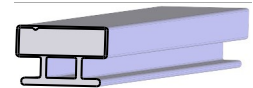
Top Cap (vert frame)
handed pair



Door Magnetic Seal



Edge Seals 2x



Frame Magnetic Seal



4 x 45 long self tapping screw 6x



7,5 x 39mm Wall Plug 6x



3,5 x 10 long self tapping screw 6x

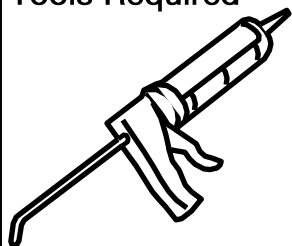


Cup Washer 12x

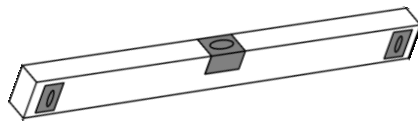


Decorative Screw Cover Cap 12x

Tools Required



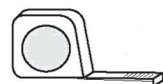
Good quality silicone sealant & applicator



Spirit Level (with vertical 'bubble')



Pozi drive
Screwdriver



Tape Measure



Pencil

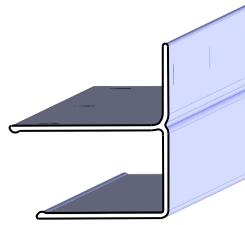
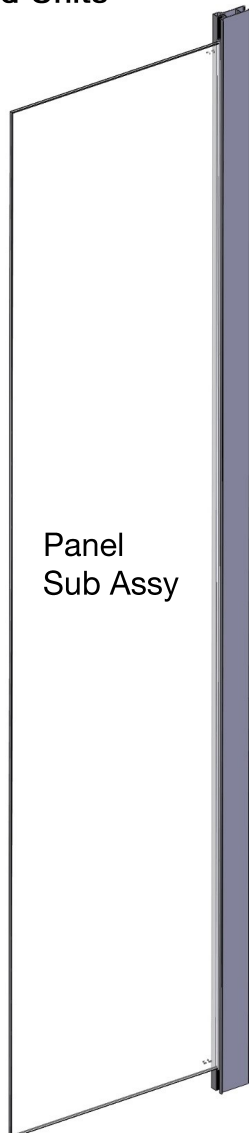
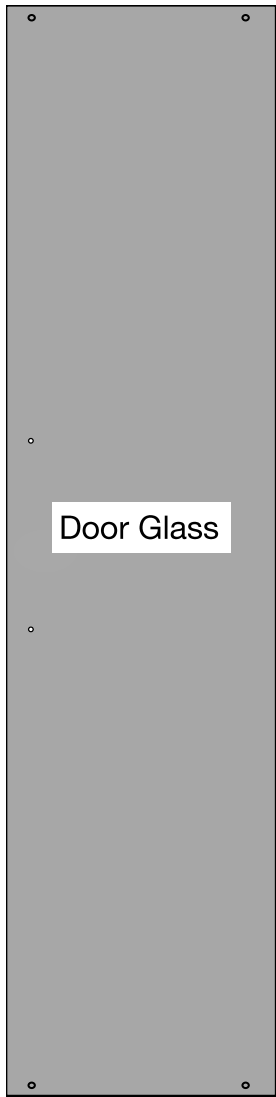


3mm HSS
drill bit



Power drill &
8mm masonry bit

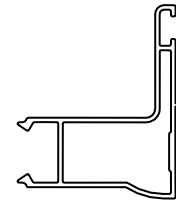
Supplied Parts : Kitted Units



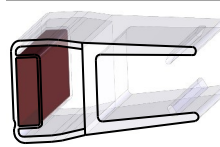
Wall Profile 2x



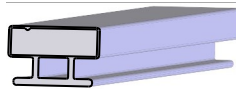
Horizontal Rail (handed pair)



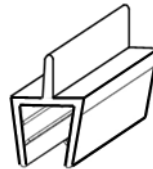
Vertical closing frame profile



Door Magnetic Seal



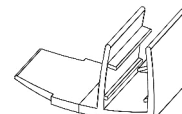
Frame Magnetic Seal



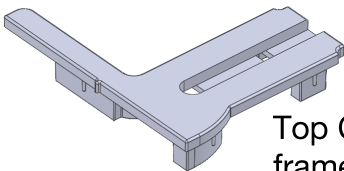
Horizontal Glazing Seal 2x



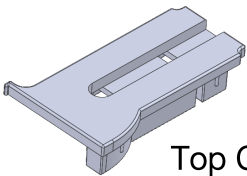
Door Handle Kit



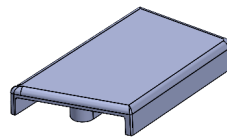
Edge Seals 2x



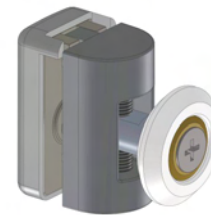
Top Cap (vert closing frame) handed pair



Top Cap (vert frame) handed pair



Top Cap (wall profile) handed pair



Top Wheel Assy 2x



Bottom Wheel Assy 2x



4 x 40 long self tapping screw 8x



4 x 45 long self tapping screw 6x



7,5 x 39mm Wall Plug 6x



3,5 x 10 long self tapping screw 6x

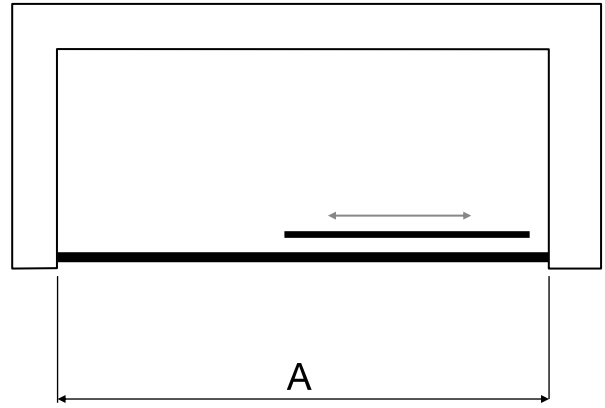


Cup Washer 12x



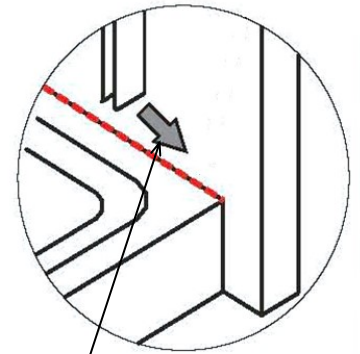
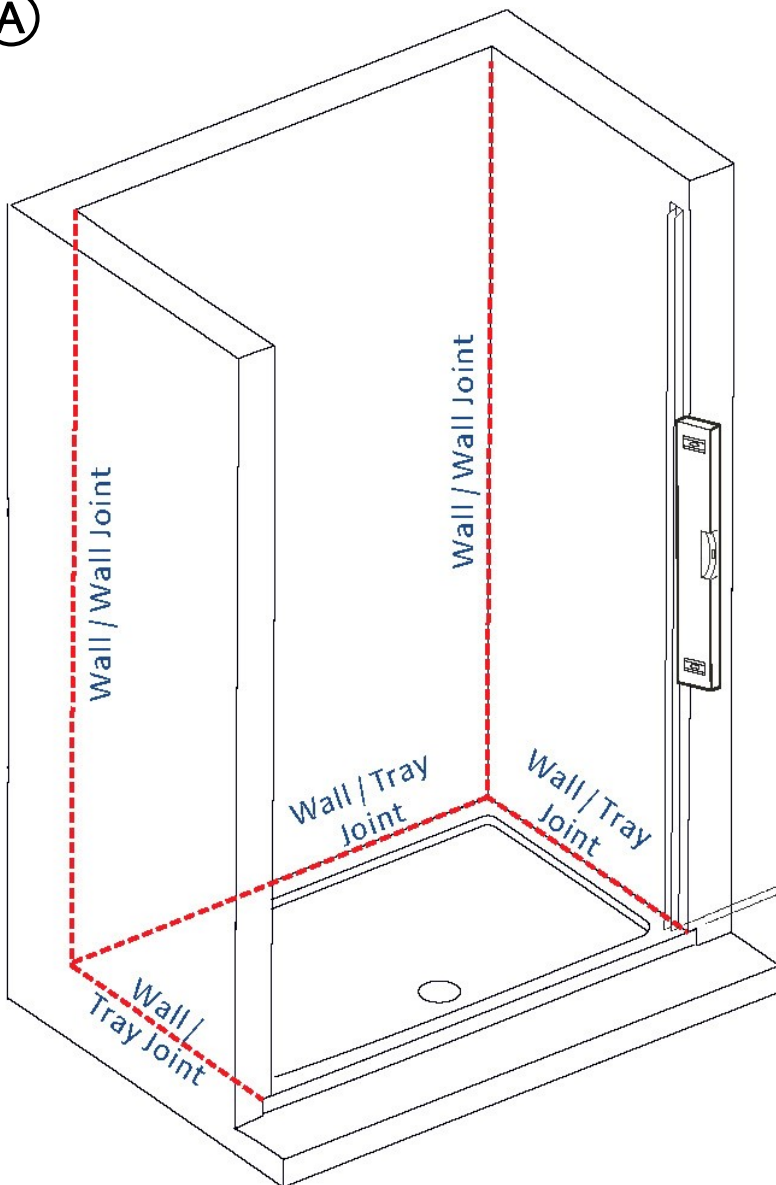
Decorative Screw Cover Cap 12x

Standard Sizes	Adjustment Range (Dim'n A)	Pre Built / Kitted
1000mm	960–1000mm	Pre Built
1100mm	1060–1100mm	
1200mm	1160–1200mm	
1400mm	1360–1400mm	Kitted
1500mm	1460–1500mm	
1600mm	1560–1600mm	
1700mm	1660–1700mm	
1800mm	1760–1800mm	
2000mm	1960–2000mm	

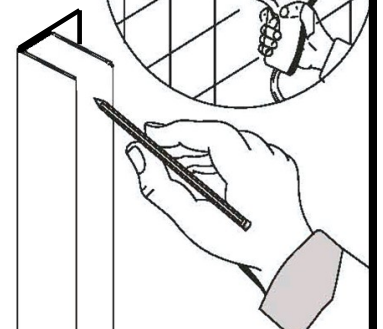
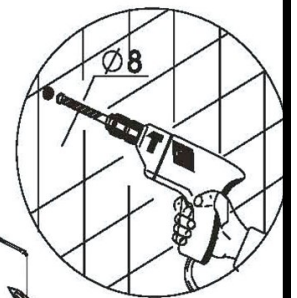
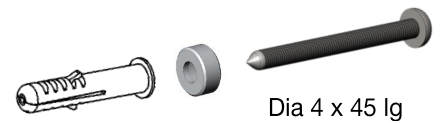


Sliding Door is fully reversible, so is suitable for fitting with door to left or right hand side of enclosure. Ensure tray is correctly levelled & that tray / wall (tile) joints are sealed & cured over entire length of tray sides (See Fig A) prior to fitting enclosure. **DO NOT SEAL TRAY EDGES UPTO A FITTED ENCLOSURE !**

A



Ensure continuous silicone sealant bead before fitting wall rails

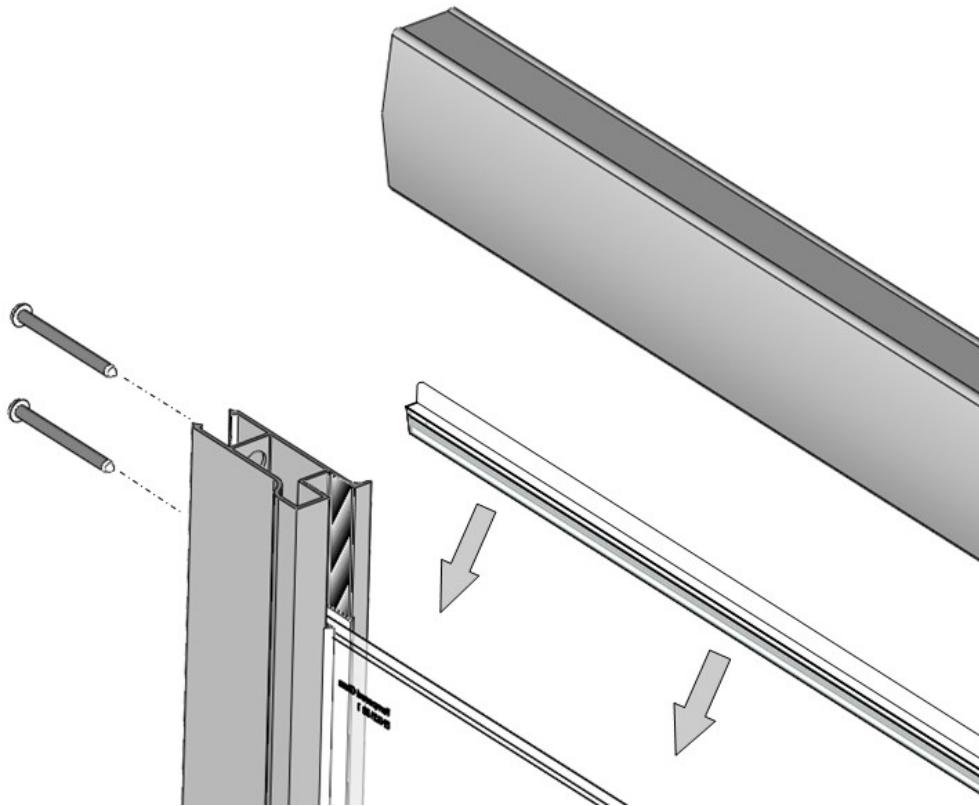


Wall profile orientation : Flange to shower side. Measure & mark wall rail positions. Mark fixing hole positions. Having decided required handing, **FIT DOOR SIDE WALL RAIL ONLY AT THIS STAGE.**

Main Frame Assembly (panel side corner construction) :

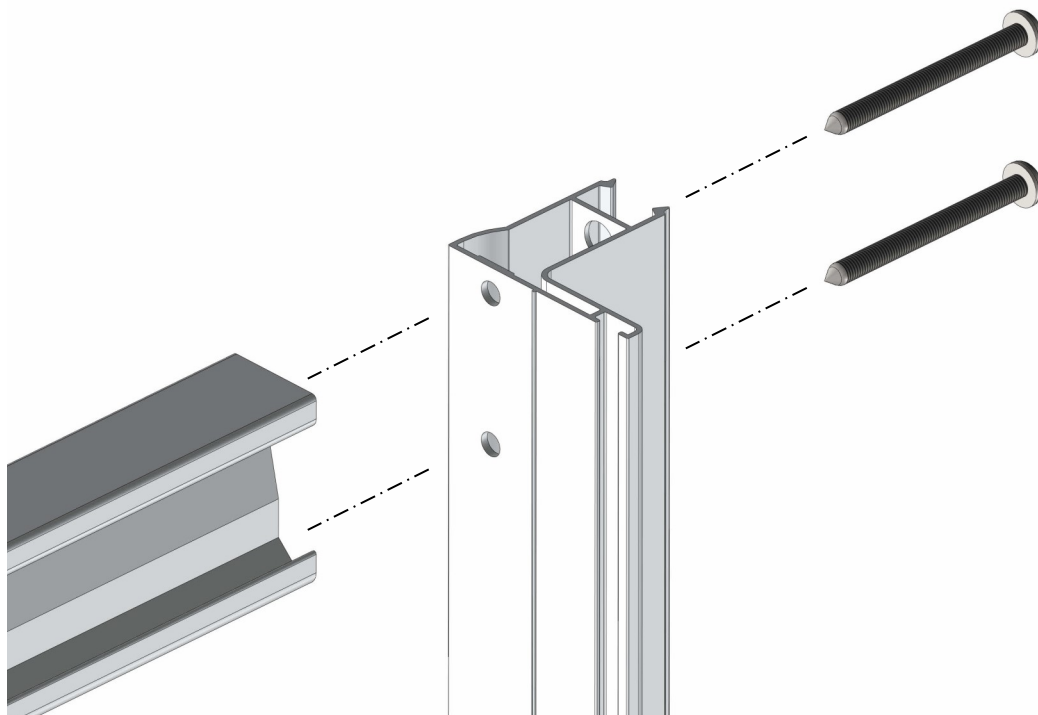
(B)

1. Fit horizontal glazing seal to ends of fixed panel glass, ensure seal is pushed fully upto vertical profile.
2. Fit glass corner into glazing block, align horizontal rail & affix with 4 x 40 long screws (2 per corner).



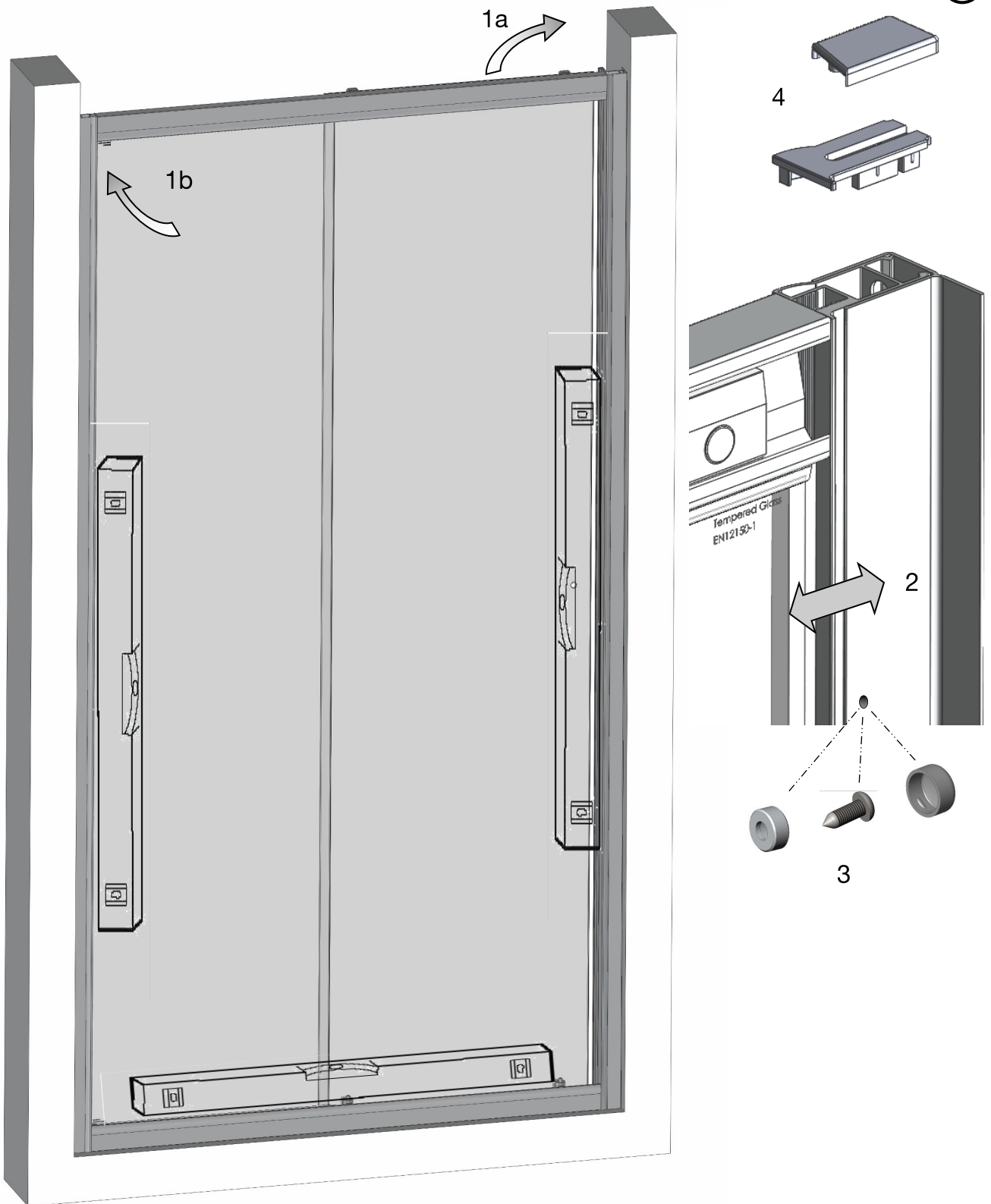
Main Frame Assembly (door side corner construction) :

1. Align horizontal rail & affix with 4 x 40 long screws (2 per corner).



Main Frame Setup :

©



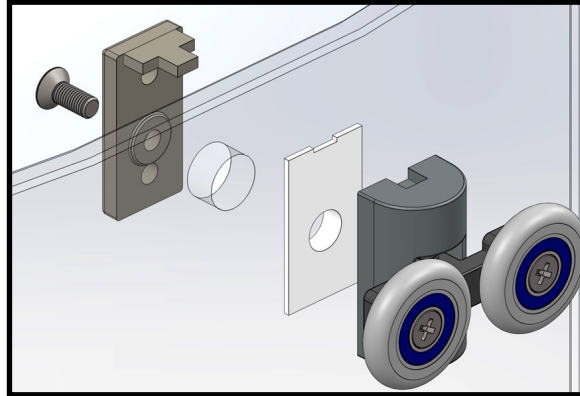
1. Fit remaining wall rail fully onto panel side of frame, lift frame over tray & insert into fixed wall profile. Push panel side back into alcove, align & fix panel side wall profile to wall with 4 x 45 long pan head screws, cup washers & caps.
2. Manipulate frame within wall profiles & ensure frame is plumb.
3. From inside enclosure, using the wall profile holes as a guide, drill (3mm) & using cup washers & decorative caps, screw frame to wall profiles (6 places).
4. Fit frame vertical & wall profile Top Caps.

Door Assemblies : Wheels must be fitted to top & bottom of door glass as shown. Ensure gaskets are fitted between glass & main wheel body (front face of glass).

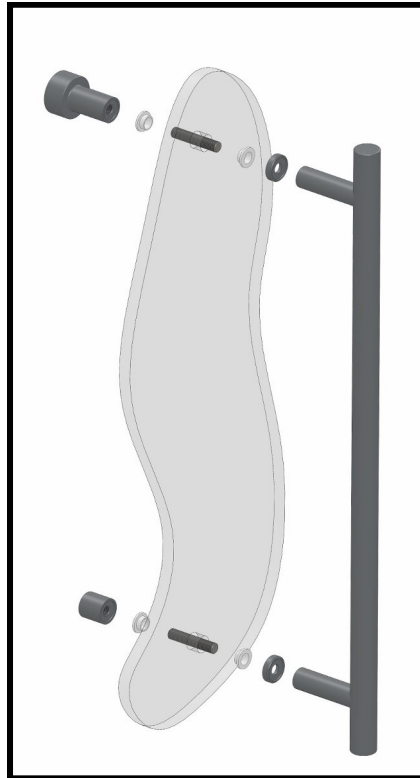
D

Left Hand Door

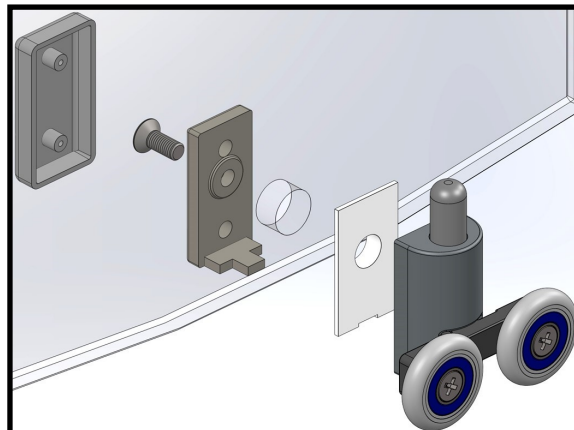
Right Hand Door



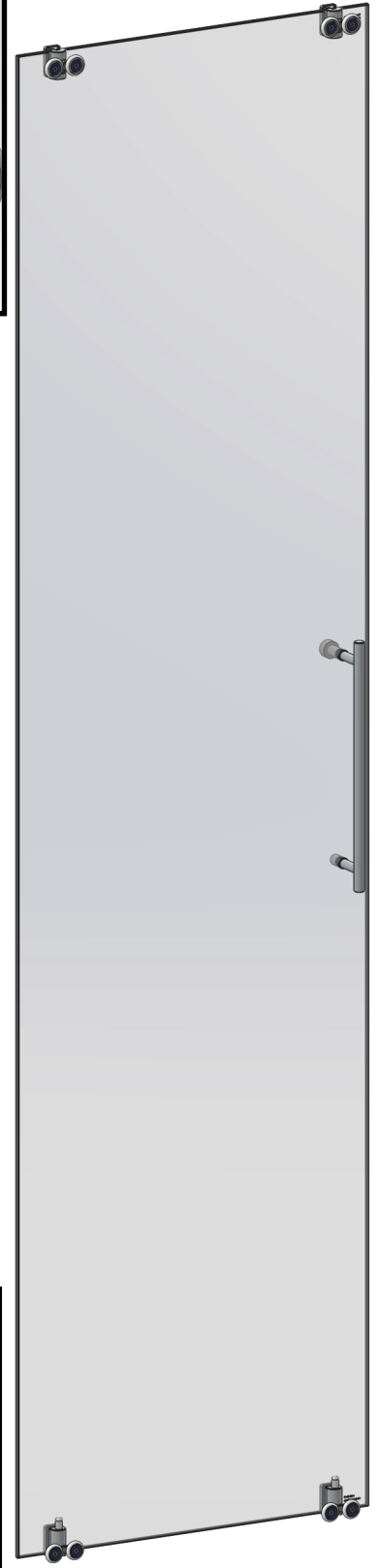
Loosely fit top wheels at this stage. Ensure screw is engaged in body, but do not tighten fully & do not fit cover.



Fit door handle—ensure 'soft' washers are fitted to both glass faces

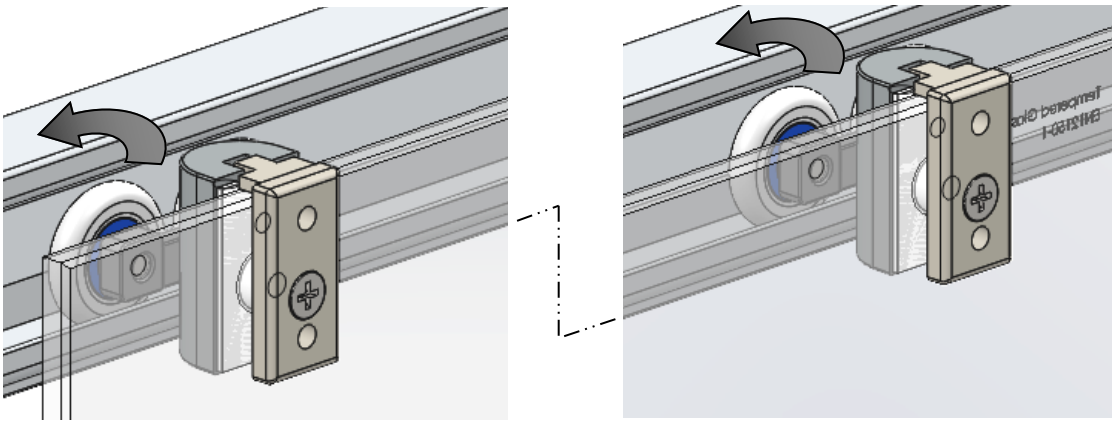


Fit & fully tighten bottom wheel, including cover.



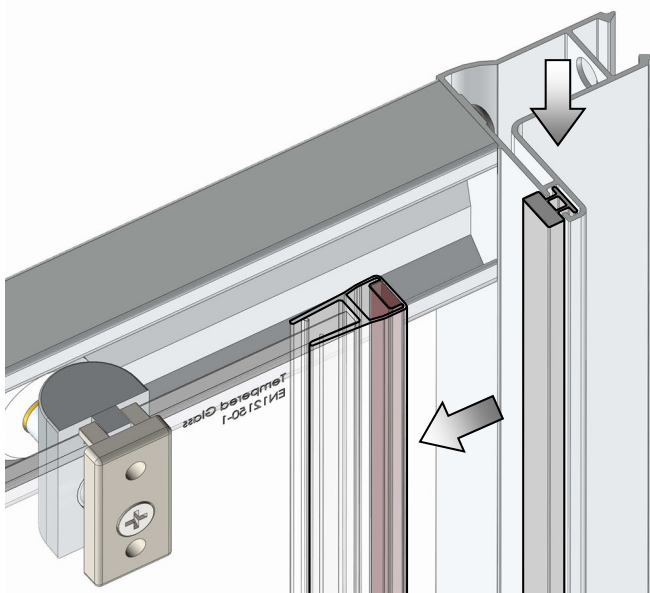
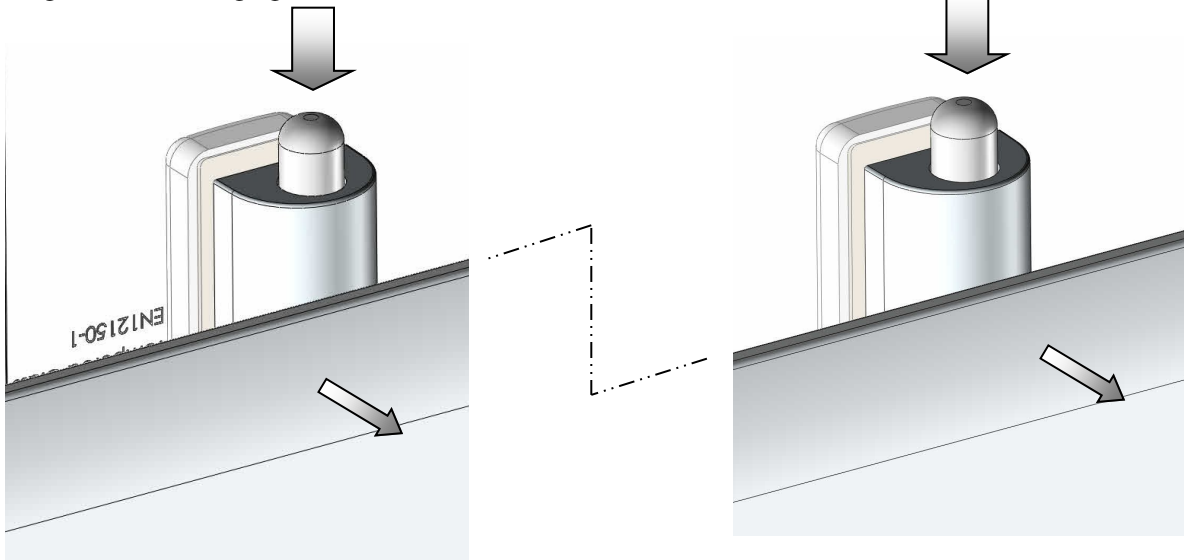
Door Hanging & Door Seals :

(E)

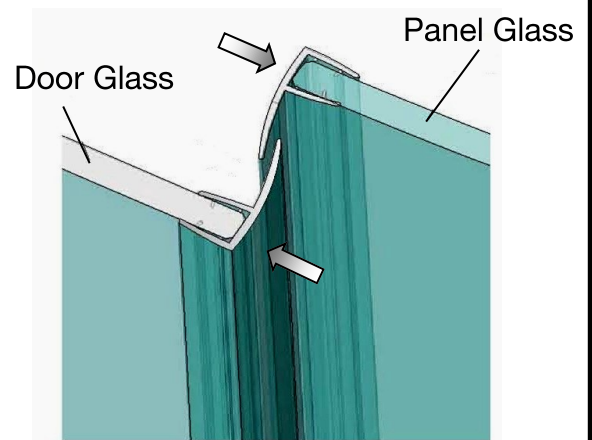


With wheel body loose on glass (screws engaged but not tightened) lift door, engage wheels in top rail & IMMEDIATELY TIGHTEN CLAMPING SCREWS.

Using buttons, engage bottom wheels in bottom rail.



Fit magnetic seal to leading edge of door & into vertical frame.



Fit edge seals to trailing edges of doors & open edges of fixed panels.

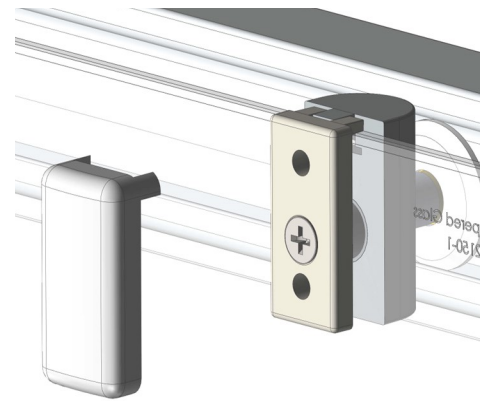
Seals may be 'Wetted' to ease assembly.

Door Adjustment : from underside of top rail, adjust door

F



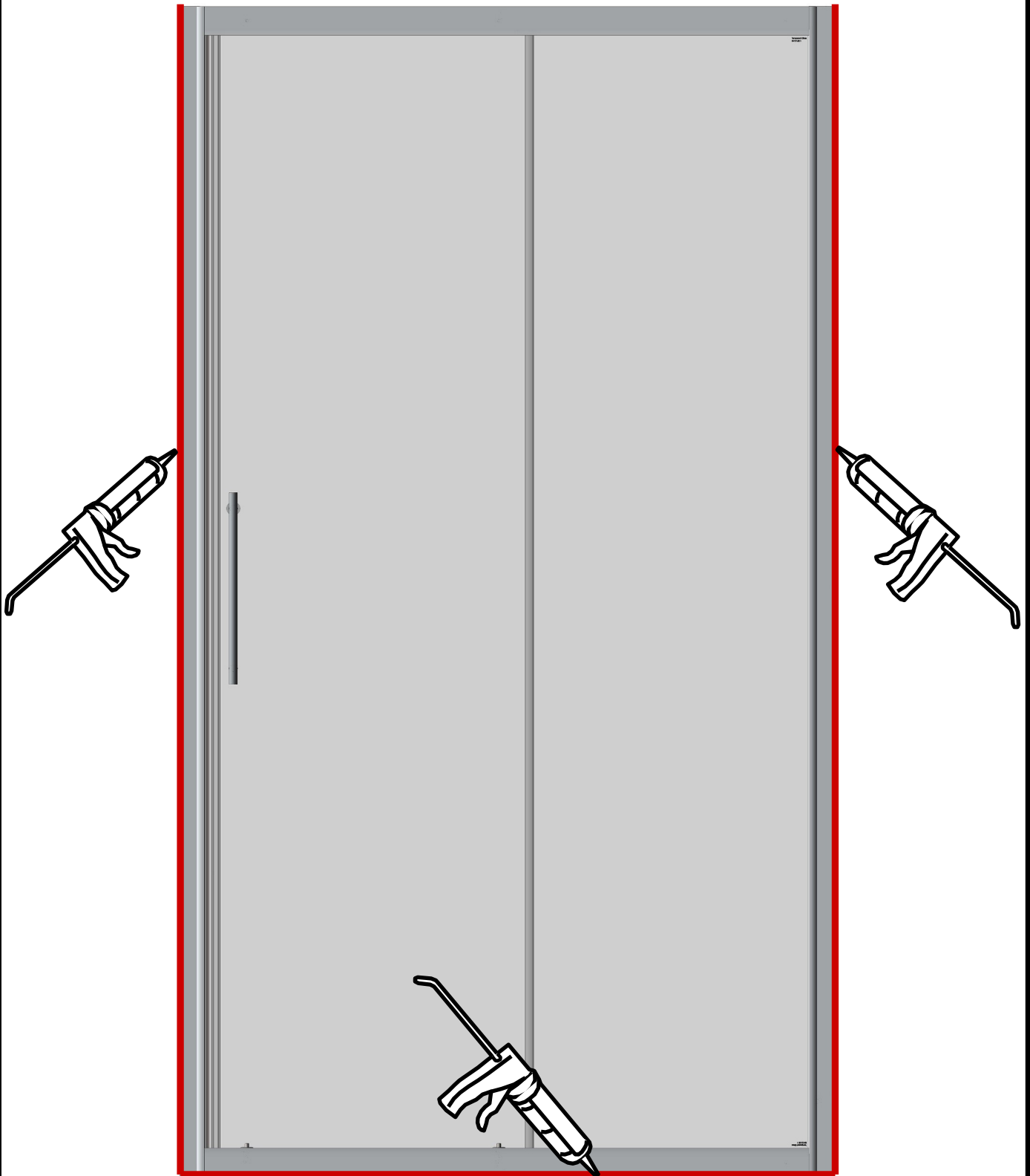
Turn adjusting screws clockwise to raise door. Adjust height & angle until door runs smoothly, magnets are parallel & hold door closed with no gaps. Check that bottom wheels are engaged securely in bottom track (adjust upward until no wobble in bottom track).



After adjusting, check that clamp screws are tight & fit covers to top wheels

Sealing :

©



Use of good quality silicone sealant & cleaning / degreasing of all joint areas is recommended.

Apply continuous silicone sealant bead as indicated EXTERNALLY ONLY

Basic Troubleshooting :

Door magnetic seals not meeting precisely / not holding :

Ensure magnetic seals are pushed fully onto door edge over entire door length.

Check door alignments & adjust if necessary (see fig F).

Check Magnetic Seal orientations (reverse if necessary).

Door motion noisy / Door not running smoothly / Door loose on bottom rail :

Check for edge seals dragging on glass (can cause 'clicking' noise).

Check top wheels engaged properly in rails & roll smoothly along rails.

Check door height adjustment ~ raise door so that spring loaded bottom wheels are in contact with & roll smoothly along bottom rail.

Wheels & Grooves are factory greased, however over time this may disperse or become contaminated by dust etc, cleaning of grooves & re application of sanitary silicone based grease will restore & ensure smooth door motion.

Leakage :

The sealing method described in these instructions relies on a continuous seal being applied between shower walls & tray before installing the enclosure (see fig A), it ensures a watertight seal around the perimeter of the enclosure to the shower walls & tray.

In the unlikely event of an enclosure leak, water will be visible on the outside of the enclosure itself, or around the perimeter silicone seal ONLY. Water / moisture appearing outside this area (ie at floor level) is normally due to incorrect tray installation.