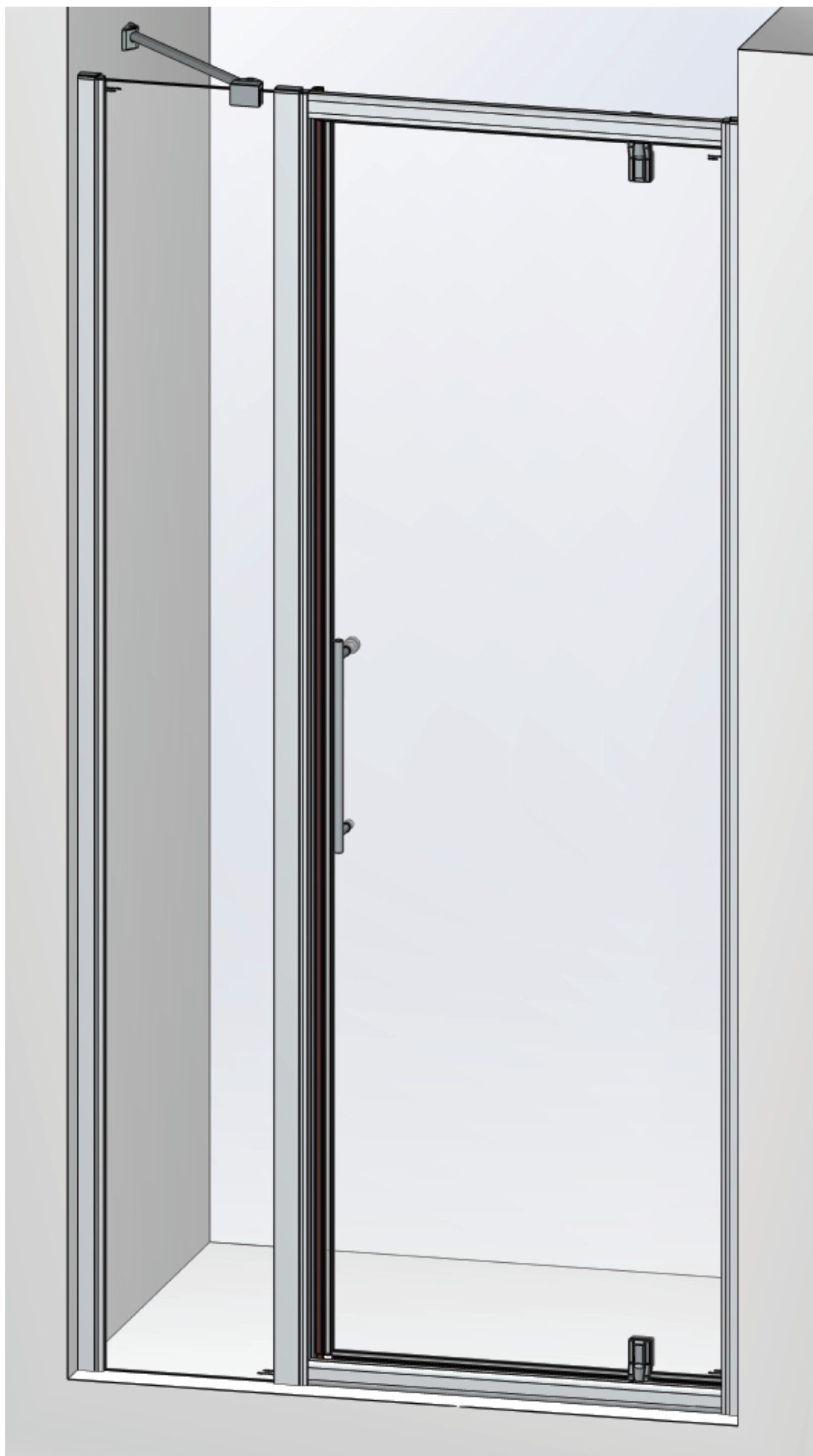


# Inline Panel - Installation & Maintenance Instructions



For illustration purposes, inline panel shown used in conjunction with pivot door.

## **IMPORTANT NOTES :**

Please Read Carefully & retain these instructions for Future Reference.

1. For ease & safety we advise that two persons assemble this product.
2. Protect shower tray surfaces at all times.
3. Exposed glass corners / edges MUST NOT contact hard surfaces at any time.
4. Check for cables, pipes etc before drilling walls.
5. Ensure all surfaces are dry, clean & free of loose debris / dust.
6. Unpack goods with care (small parts can become lodged in packaging & inadvertently discarded). Check parts supplied against parts & fittings listed herein. Damaged parts / omissions may be resolved by calling Helpline.
7. Whilst precautions are taken in manufacture, care must be taken when handling as rail ends may have sharp edges.
8. Before commencing, check :
  - a) shower tray (or base) is level & completely sealed to finished / tiled walls.
  - b) finished walls are sound & free of cracks, loose tiles / grout.
8. AFTER INSTALLATION, DO NOT 'WET' ENCLOSURE FOR 48 HOURS TO ENSURE FULL CURE OF SILICONE SEALANT.

## **USE :**

### **General Care & Maintenance.**

Provided this product is installed & operated in accordance with these instructions, problems should not arise. However should maintenance be required it should be carried out by a competent person with reference to these instructions. Before any work is carried out the root cause of the problem must be identified.

Lakes Bathrooms service engineers are available if necessary to consult / carry out remedial work.

Call HELPLINE.

### **Cleaning.**

(Every one to two weeks depending on local water {hardness} conditions).

All glass panels in this product have a hydrophobic coating aiding 'runoff' of water droplets, reducing the need for frequent cleaning. For best appearance / product life however, regular cleaning is recommended. Use ONLY mild soap / detergent solutions to clean. Rinse with water, squeegee glass panels & wipe frames dry with a soft cloth. Under no circumstances should abrasive, caustic or scouring products be used.

Non compliance with these cleaning instructions may cause decorative finishes to deteriorate & could adversely affect safe operation of the enclosure.

### **Daily Care.**

To prevent the build up of limescale, do not allow water droplets to dry on glass or frames. After showering, rinse with water, remove droplets from glass with a squeegee & wipe frame with a soft cloth.

Customer Service.

Quality Guarantee : We guarantee Shower Doors & Enclosures against any manufacturing or material defects for the duration of the warranty. We will resolve defects free of charge by repairing / replacing parts as we feel necessary. To be 'free of charge' service work must be carried out by Lakes Bathrooms or approved agents.

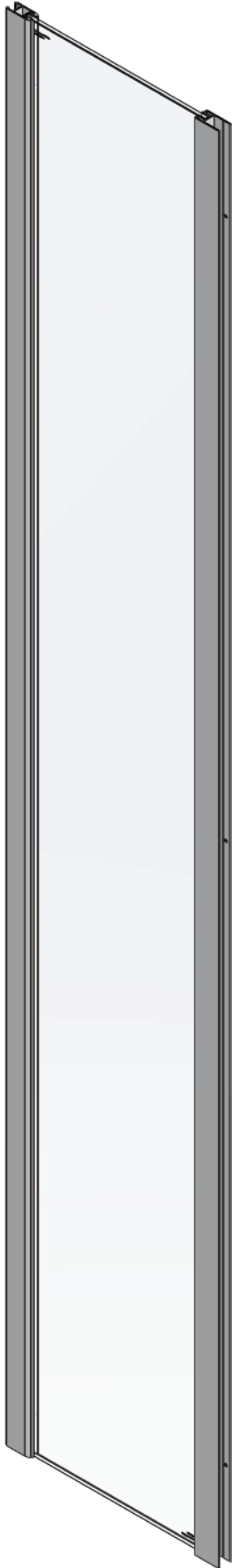
Seals are considered 'wear & tear' parts, as such they are guaranteed for 12 months from purchase.

Not Covered by this Guarantee : Damage or defects that result from improper installation, improper use, or lack of maintenance (including limescale buildup). Damage or defects that result from repairs / modifications undertaken by unauthorized persons. This guarantee is in addition to statutory & other legal rights.

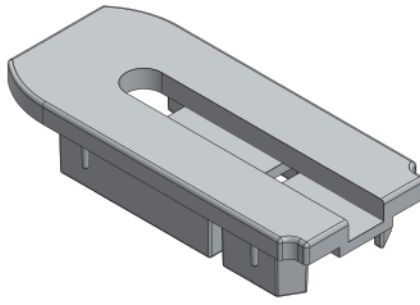
What to do if something goes wrong : Should the product not function correctly on initial use, firstly, contact the installer to check that unit installation & commissioning are in accordance with these instructions. Should this not resolve difficulties or should performance decline, consult 'Troubleshooting' section to see if simple home maintenance is needed. Alternatively our HELPLINE staff can assist, or if necessary arrange for a service engineer to visit.

Spares : We maintain extensive spare part stocks. Spares can be ordered / purchased from your retailer in the first instance. Parts will normally be dispatched within two working days from order placement.

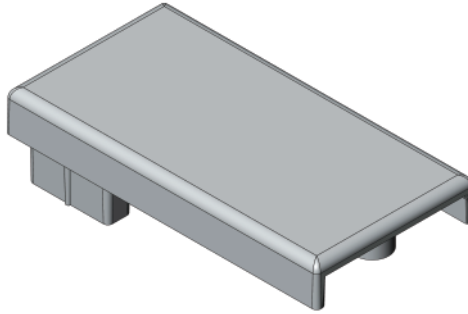
# Supplied Parts :



Panel Sub Assy 1x  
(Fig. C)



Top Cap (frame prof)  
1x (Fig. C)



Top Cap (joiner prof)  
1x (Fig. C)



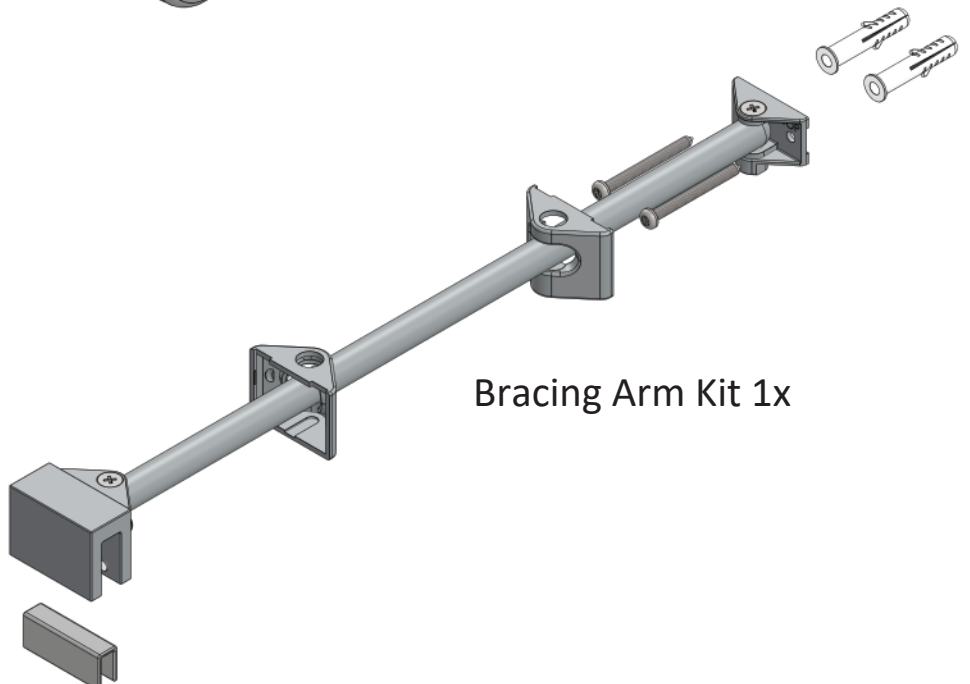
3.5 x 10 long self tapping  
pan head screw 3x (Fig. C)



Cup Washer 3x (Fig. A / C)



Decorative Screw  
Cover Cap 3x (Fig. C)

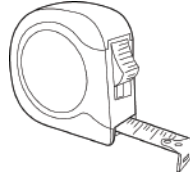


Bracing Arm Kit 1x

## Tools Required :



Spirit Level (with vertical bubble)



Tape Measure



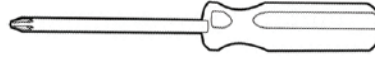
8mm Tile / Masonry Bit & Power Drill



Pencil



Good Quality Clear Silicone Sealant & Applicator



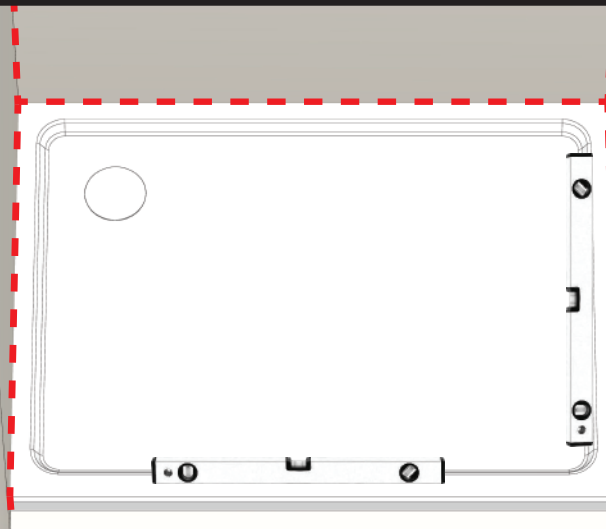
Screwdriver (Pozidriv)



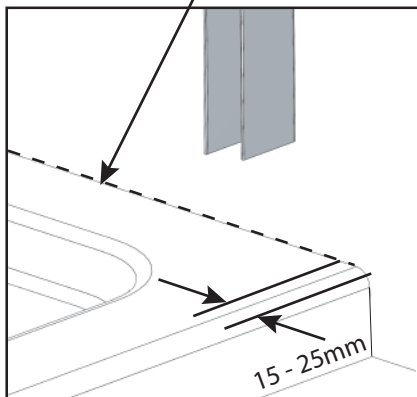
3mm HSS Drill Bit

Inline Panel for use in line with corresponding shower doors.  
Ensure tray is correctly levelled & that tray / wall (tile) joints are sealed & cured over entire length of tray sides (see fig. A) prior to fitting enclosure.  
**DO NOT SEAL TRAY EDGES UP TO A FITTED ENCLOSURE!**

A



Ensure continuous silicone sealant bead before fitting wall profiles.

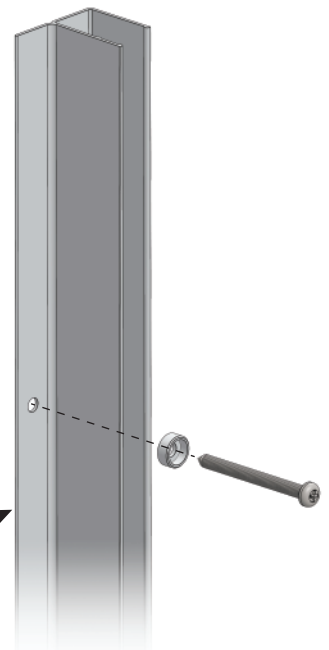


Situate wall profile 15 to 25mm from front of tray.

Measure & mark wall profile positions through holes in flange of profile.  
drill with 8mm tile / masonry bit & plug holes.  
Affix DOOR side wall profile only at this stage.

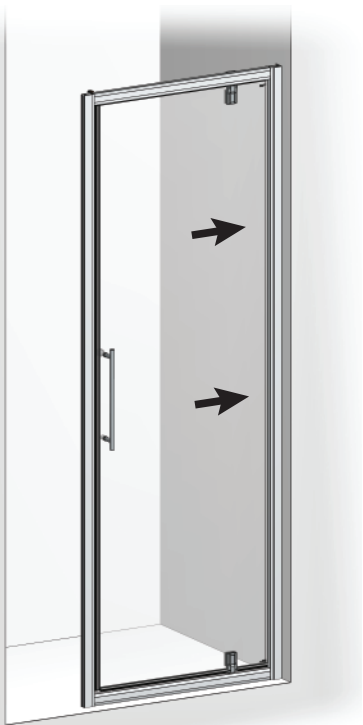
Use M4 x 40 screws & cup washers.

Screw flange to inside (wet) side of enclosure.



Refer to the respective shower door instructions for assembling the door.  
 Door should be positioned in its wall profile as shown.  
 DO NOT drill & screw until final unit position has been determined.

**B**



Assemble door into wall profile. Push door fully into wall profile.

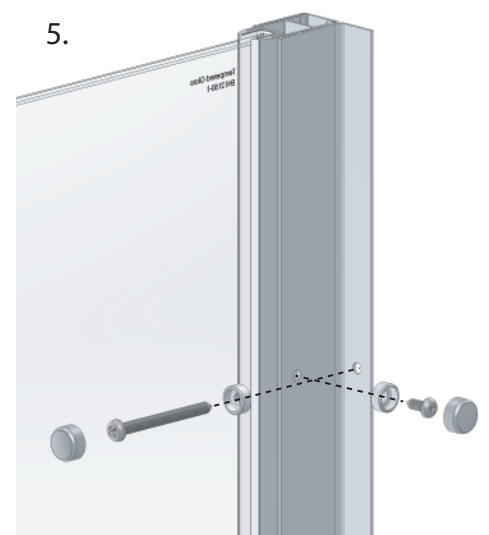
**C**



1. Fit remaining wall profile onto wall side of inline panel & fully compress.
2. Ease door forward & carefully lift fixed panel onto edge of door
3. Push entire assembly back into alcove, align & fix 2nd wall profile
4. Adjust panel & door side to side & ensure plumbs. Check door operation & adjust as necessary.
5. From inside enclosure, using wall profile & joining profile holes as guide, drill (3mm). Affix door using M3.5 x 10 & cup washers. long pan head screws. Push cover caps onto ALL screws / washers.

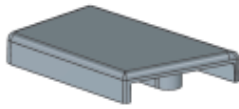


Joining Profile

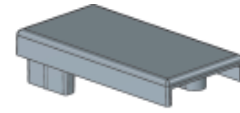


Wall Profile

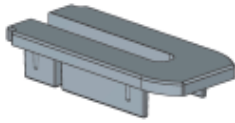
D



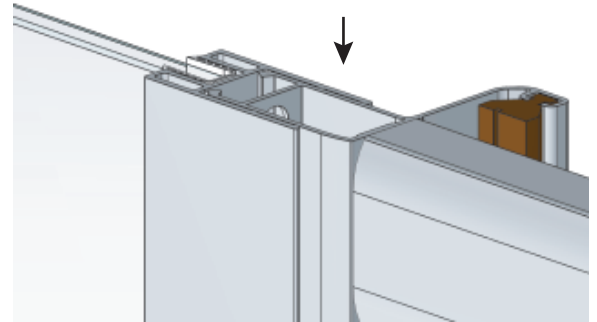
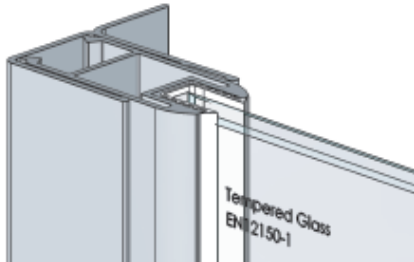
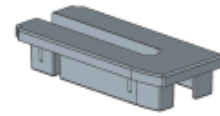
Fit top caps.  
Select appropriate (hand) caps & press into profiles as shown, clear silicone sealant may be applied to retain, wipe off all excess with damp cloth.



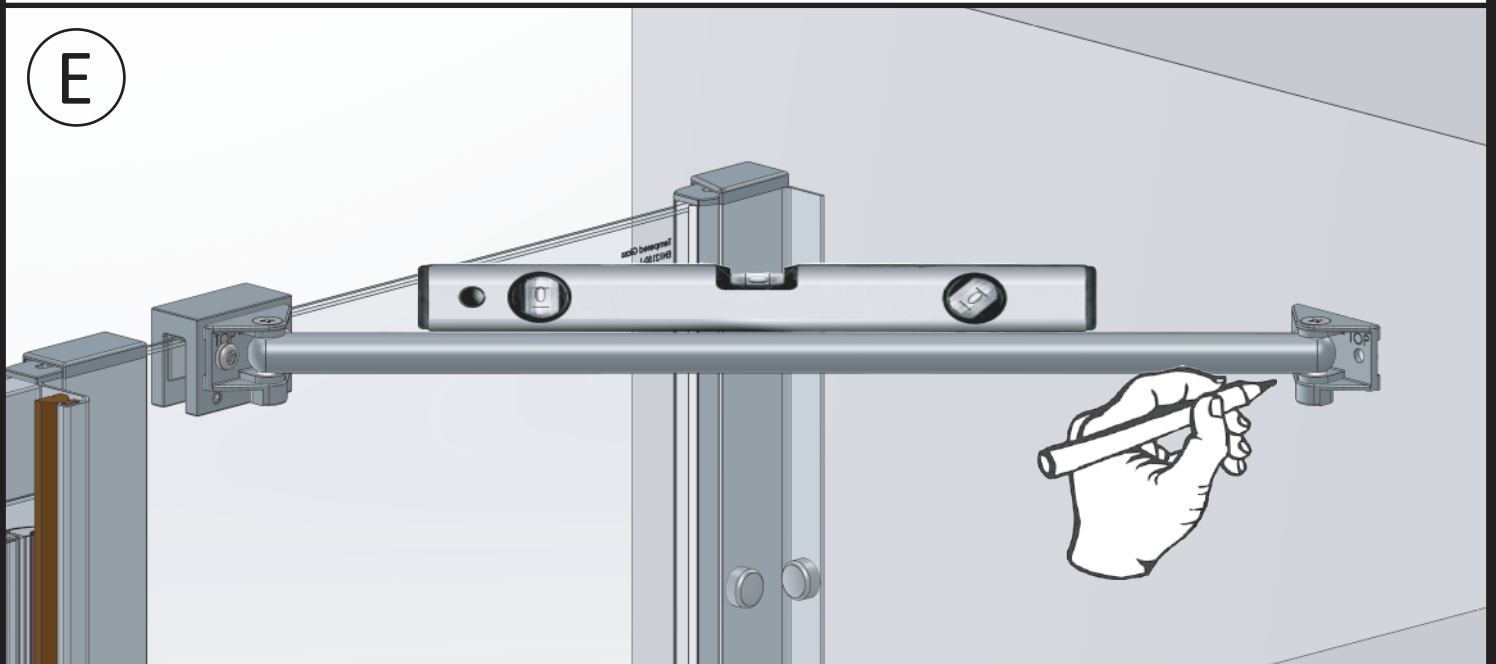
Joiner prof Cap



Frame prof Cap



E



Assemble bracing arm (less end covers).

Ensuring plastic gasket is in place in glass clamp, offer arm into position (Approx. 45°) & check level.

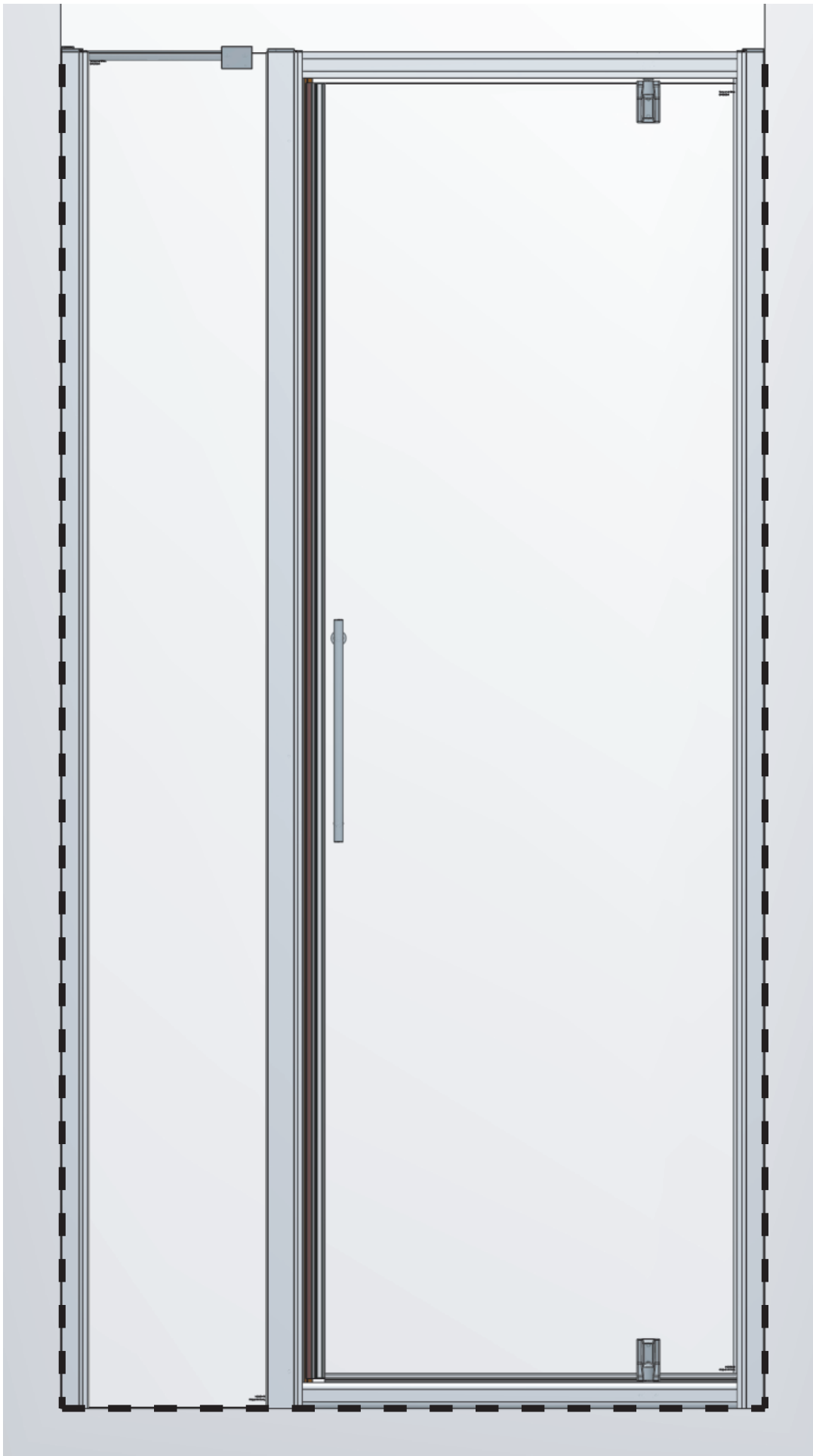
Press wall end bracket to wall, mark & drill both fixing holes (8mm drill bit), fit 2x wall plugs.

With glass clamp loosely in place on glass panel, affix bracing arm to wall (M4 x 45 long screws) then tighten grub screws on glass clamp. Align & snap fit covers onto brackets

If on initial 'offer up' there is any obstruction, angle of bracing arm may be altered to suit application. When offering up in this way, check that end covers will accommodate the required angle.

(offer up with covers fitted to brackets !)

F



Use of good quality silicone sealant & cleaning / degreasing  
of all joint areas is recommended.

Apply continuous silicone sealant bead as indicated EXTERNALLY ONLY.

## **BASIC TROUBLESHOOTING :**

Refer to respective shower door installation instructions for troubleshooting information.

### **Leakage :**

The sealing method described in these instructions relies on a continuous seal being applied between shower walls & tray before installing the enclosure (see fig A), it ensures a watertight seal around the perimeter of the enclosure to the shower walls & tray.

In the unlikely event of an enclosure leak, water will be visible on the outside of the enclosure itself, or around the perimeter silicone seal **ONLY**. Water / moisture appearing outside this area (ie at floor level) is normally due to incorrect tray installation.