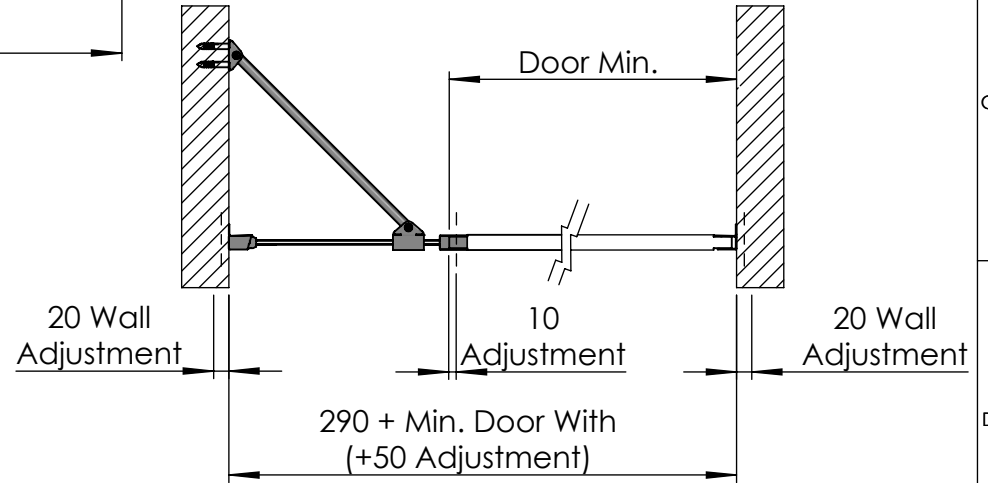
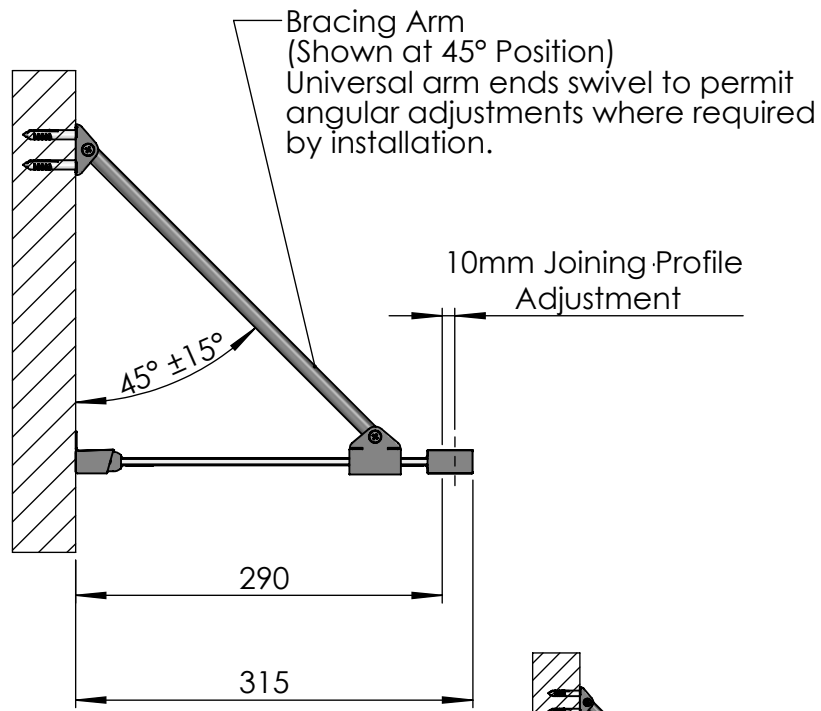
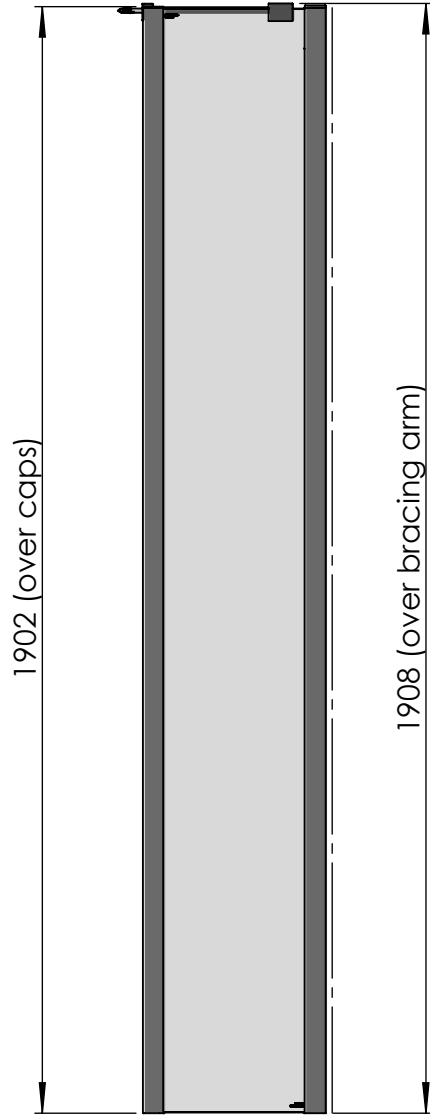


Unit weight : 9.25Kg



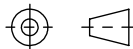
Size of door used in conjunction	Adjustment (mm)
070	940 - 990
075	990 - 1040
080	1040 - 1090
090	1140 - 1190
100	1240 - 1290
110	1340 - 1390
120	1440 - 1490
130	1540 - 1590
140	1640 - 1690
150	1740 - 1790
160	1840 - 1890
170	1940 - 1990

36 Joining Profile

47 Min. with door profile

UNLESS OTHERWISE STATED
All dimensions in millimetres.
Linear Dimension +/- 0,3mm.
Hole Sizes + 0,3mm

DO NOT SCALE DRAWING
THIRD ANGLE PROJECTION



MATERIAL:

-

TREATMENT

-

© Lakes Bathrooms 2022

This document is the property of Lakes Bathrooms Ltd and is confidential. It is issued subject to the condition that (1) The information or any part thereof contained in it shall not be disclosed in any form to a third party, and (2) It or any part of it shall not be reproduced in any form.

UNCONTROLLED COPY

TITLE

INLINE PANEL UNIT DRAWING

SHT 1 DWG NO. AI

OF 1 TO -

Lakes Bathrooms
Alexandra Way, Ashchurch, Tewkesbury,
GLOS. GL20 8SG

SIZE
A4