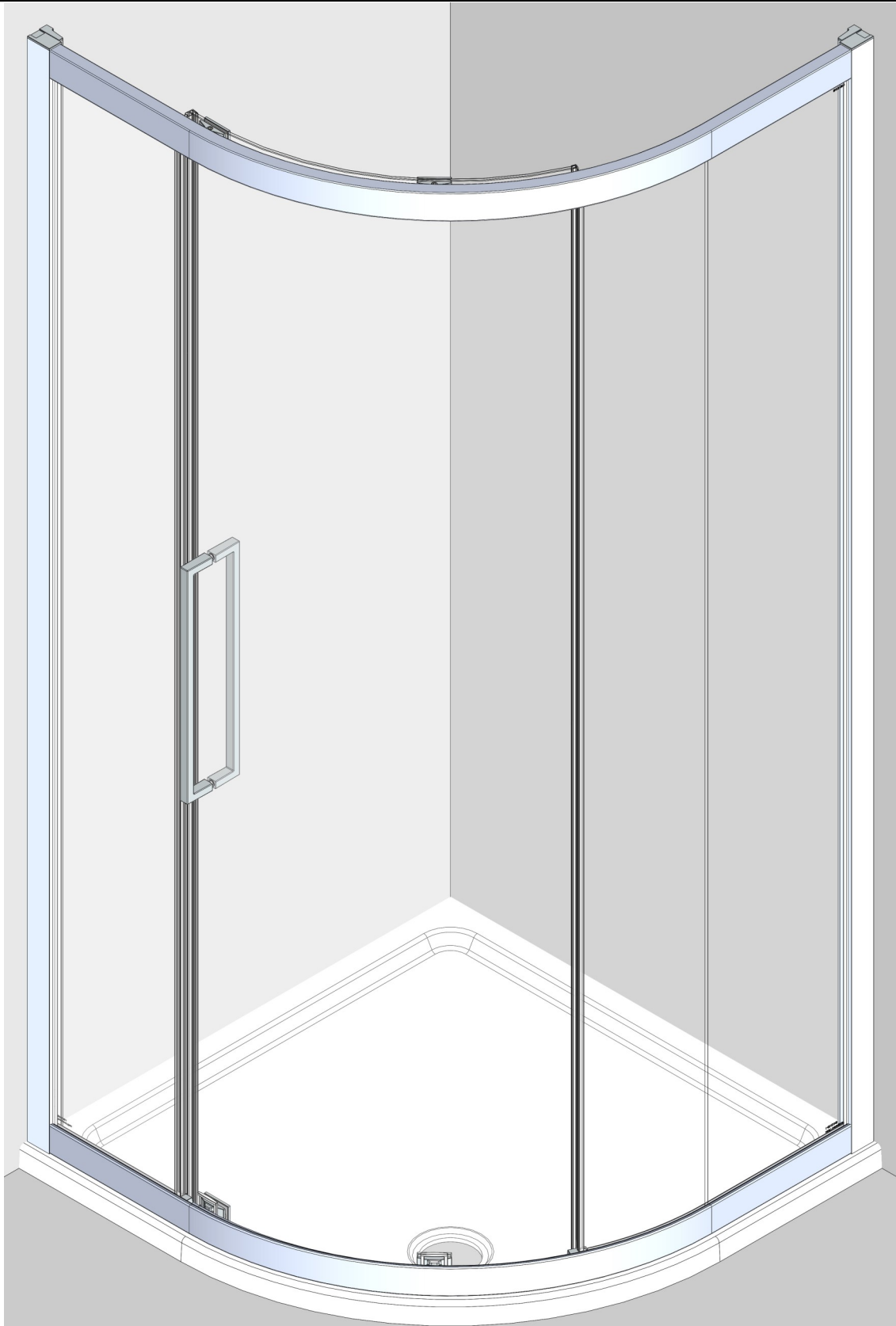


# Wave Series Single Door Quadrant

## Installation / Maintenance Instructions

Rev. 10.23



**LAKES**  
SHOWERING SPACES

## **IMPORTANT NOTES :**

Please read carefully & retain these instructions for future reference.

1. For ease & safety we advise that two persons assemble this product.
2. Protect shower tray surfaces at all times.
3. Exposed glass corners / edges **MUST NOT** contact hard surfaces at any time.
4. Check for cables, pipes etc before drilling walls.
5. Ensure all surfaces are dry, clean & free of loose debris / dust.
6. Unpack goods with care (small parts can become lodged in packaging & inadvertently discarded). Check parts supplied against parts & fittings listed herein. Damaged parts / omissions may be resolved by calling Lakes Bathrooms Helpline.
7. Whilst precautions are taken in manufacture, care must be taken when handling as rail ends may have sharp edges.
8. Before commencing, check :
  - a) shower tray is level & completely sealed to finished / tiled walls.
  - b) finished walls are sound & free of cracks loose tiles / grout.
9. **AFTER INSTALLATION, DO NOT 'WET' ENCLOSURE FOR 48 HOURS (ENSURE FULL CURE OF SILICONE SEALANT).**

## **USE :**

### **General Care & Maintenance.**

Provided this product is installed & operated in accordance with these instructions, problems should not arise. However should maintenance be required it should be carried out by a competent person with reference to these instructions. Before any work is carried out the root cause of the problem must be identified. Lakes Bathrooms service engineers are available if necessary to consult / carry out remedial work. Call Lakes Bathrooms HELPLINE.

### **Cleaning.**

(Every one to two weeks depending on local water {hardness} conditions).

All glass panels in this product have a hydrophobic coating aiding 'runoff' of water droplets, reducing the need for frequent cleaning. For best appearance / product life however, regular cleaning is recommended.

Use **ONLY** mild soap / detergent solutions to clean. Rinse with water, squeegee glass panels & wipe frames dry with a soft cloth. Under no circumstances should abrasive, caustic or scouring products be used. Non compliance with these cleaning instructions may cause decorative finishes to deteriorate & could adversely affect safe operation of the enclosure.

Limescale ~ should a build up of limescale occur, remove using a 50:50 solution of white vinegar & water applied with a soft cloth & rinsed / dried thoroughly afterwards.

### **Daily Care.**

To prevent the build up of limescale, do not allow water droplets to dry on glass or frames. After showering, rinse with water, remove droplets from glass with a squeegee & wipe frame with a soft cloth.

### **Customer Service.**

Quality Guarantee : Lakes Bathrooms Ltd guarantee Shower Doors & Enclosures against any manufacturing or material defects for the lifetime of the product. We will resolve defects free of charge by repairing / replacing parts as we feel necessary. To be 'free of charge' service work must be carried out by Lakes Bathrooms or approved agents.

Seals are considered 'wear & tear' parts, as such, they are guaranteed for 12 months from purchase.

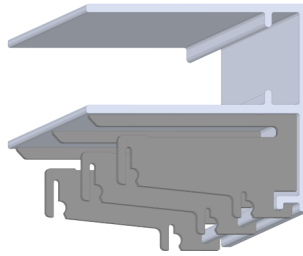
Not Covered by this Guarantee : Damage or defects that result from improper installation, improper use, or lack of maintenance (including limescale buildup). Damage or defects that result from repairs / modifications undertaken by unauthorized persons. This guarantee is in addition to statutory & other legal rights.

**What to do if something goes wrong :** Should the product not function correctly on initial use, firstly, contact the installer to check that unit installation & commissioning are in accordance with these instructions. Should this not resolve difficulties or should performance decline, consult 'Troubleshooting' section to see if simple home maintenance is needed. Alternatively our HELPLINE staff can assist, or if necessary arrange for a service engineer to visit.

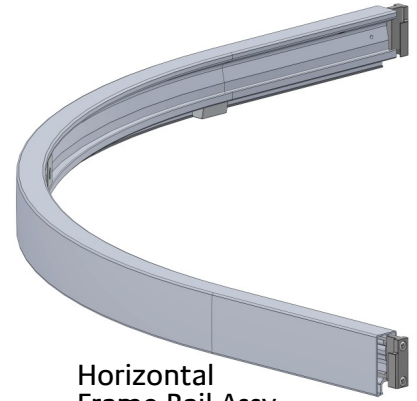
Spares : We maintain extensive spare part stocks. Spares can be ordered / purchased from your retailer in the first instance. Parts will normally be dispatched within two working days from order placement.

**SUPPLIED PARTS :**

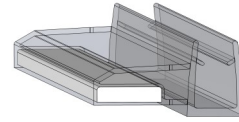
Fixed Panel Sub Assy 2x  
(1x Straight Panel & 1x Curved Panel)



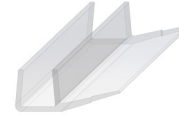
Wall Rail Assy  
1950mm (2x)



Horizontal  
Frame Rail Assy  
(handed pair)



Magnetic Seals  
(8mm for door 1x)  
(6mm for panel 1x)



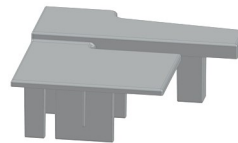
Edge Seals  
1937mm (1x)  
1850mm (1x)



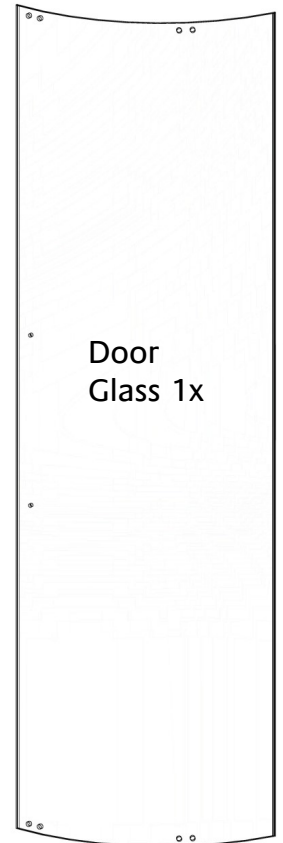
Horizontal  
Glazing  
Seal (4x)



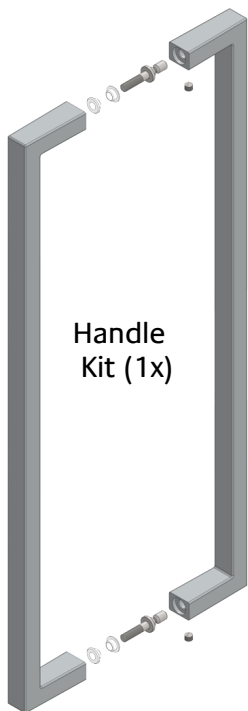
Top Cap inner  
(vert frame)  
(handed pair)



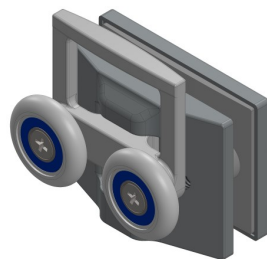
Top Cap outer  
(wall profile)  
(handed pair)



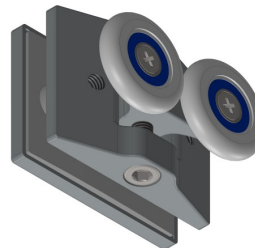
Door  
Glass 1x



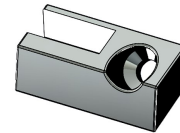
Handle  
Kit (1x)



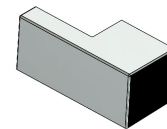
Bottom Wheel  
Assy (2x)



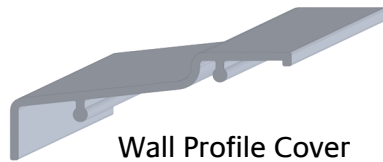
Top Wheel  
Assy (2x)



Glazing Block  
(handed pair)



Glazing Block Cover  
(handed pair)



Wall Profile Cover  
Strip (2x)



3,5 x 12 long CSK self tapping screw (4x)



3,5 x 10 long CSK self tapping screw (2x)



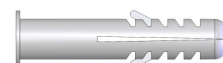
Decorative Screw Cover Cap (4x)



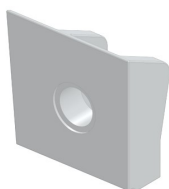
3,5 x 10 long Pan Head self  
tapping screw (6x)



4 x 45 long self tapping  
Screw (6x)



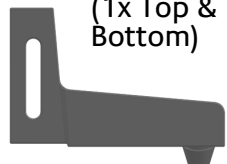
7,5 x 39mm Wall Plug (6x)



Doorstop  
Block  
(handed  
pair)

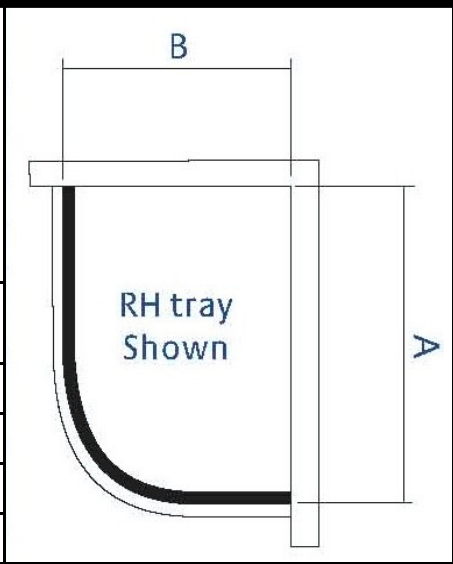


Doorstop Buffer  
(1x Top & 1x  
Bottom)

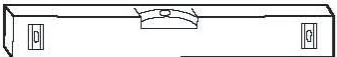
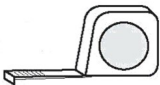
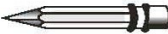
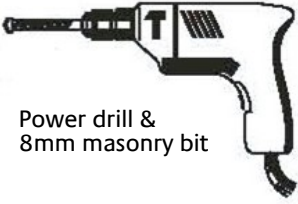
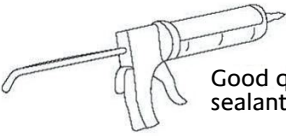





Standard Sizes :  
 Symmetric Units:  
 800mm, 900mm, & 1000mm.  
 Offset Units:  
 900 x 800mm,  
 1000 x 800mm,  
 1200 x 800mm,  
 1200 x 900mm.

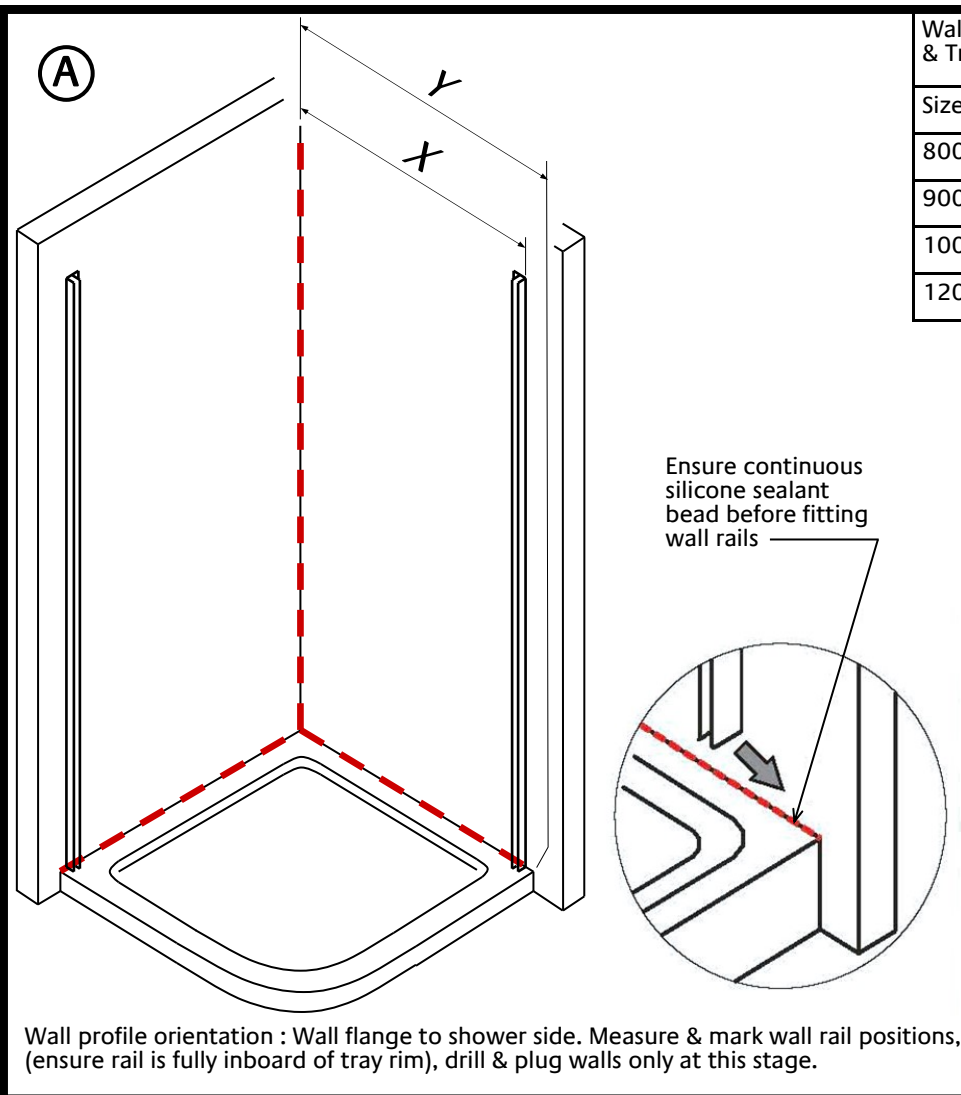
Size ref	Adjustment Range (Dim'n A or B)
800mm	765 to 790mm
900mm	865 to 890mm
1000mm	965 to 990mm
1200mm	1165 to 1190mm



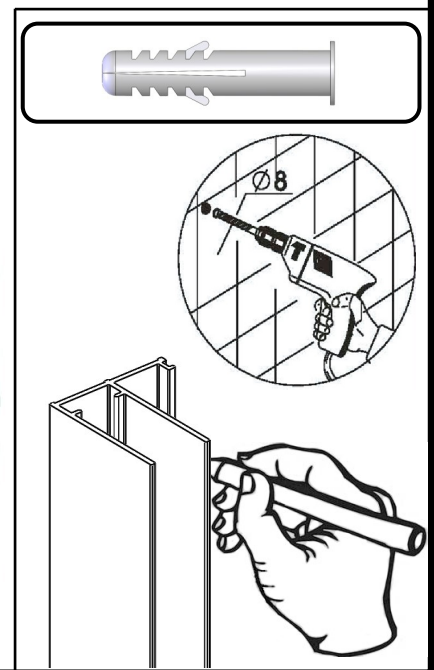
### Tools Required

-  Spirit Level (with vertical 'bubble')
-  Tape Measure
-  Pencil
-  Power drill & 8mm masonry bit
-  Good quality silicone sealant & applicator
-  Pozi drive Screwdriver
-  3mm HSS drill bit
-  4mm Allen Key

Lakes Offset Quadrant is fully reversible, so is suitable for fitting to right or left hand trays. Ensure tray is correctly levelled & that tray / wall (tile) joints are sealed & cured over entire length of tray sides (See Fig A) prior to fitting enclosure. **DO NOT SEAL TRAY EDGES UPTO A FITTED ENCLOSURE !**



Wall Profile Position (To Outside) & Tray Protrusion		
Size	Dim'n X	Dim'n Y (Minimum)
800	775mm	785mm
900	875mm	885mm
1000	975mm	985mm
1200	1175mm	1185mm

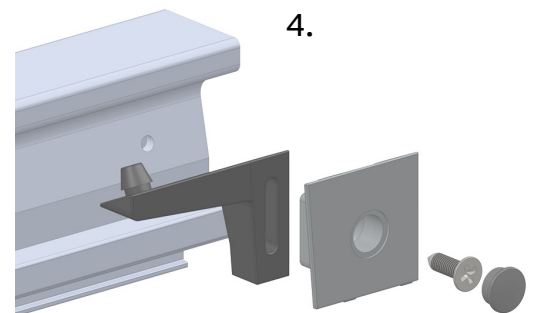
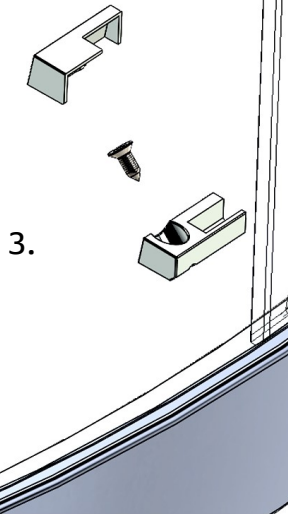
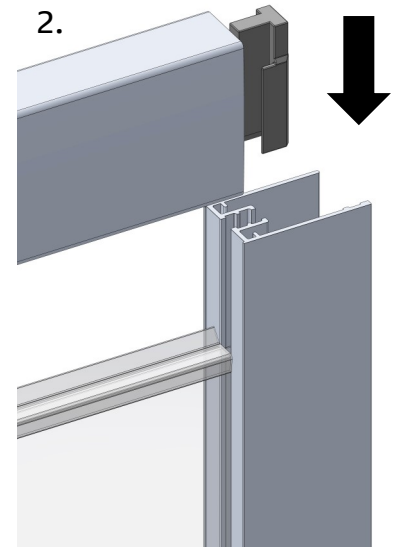
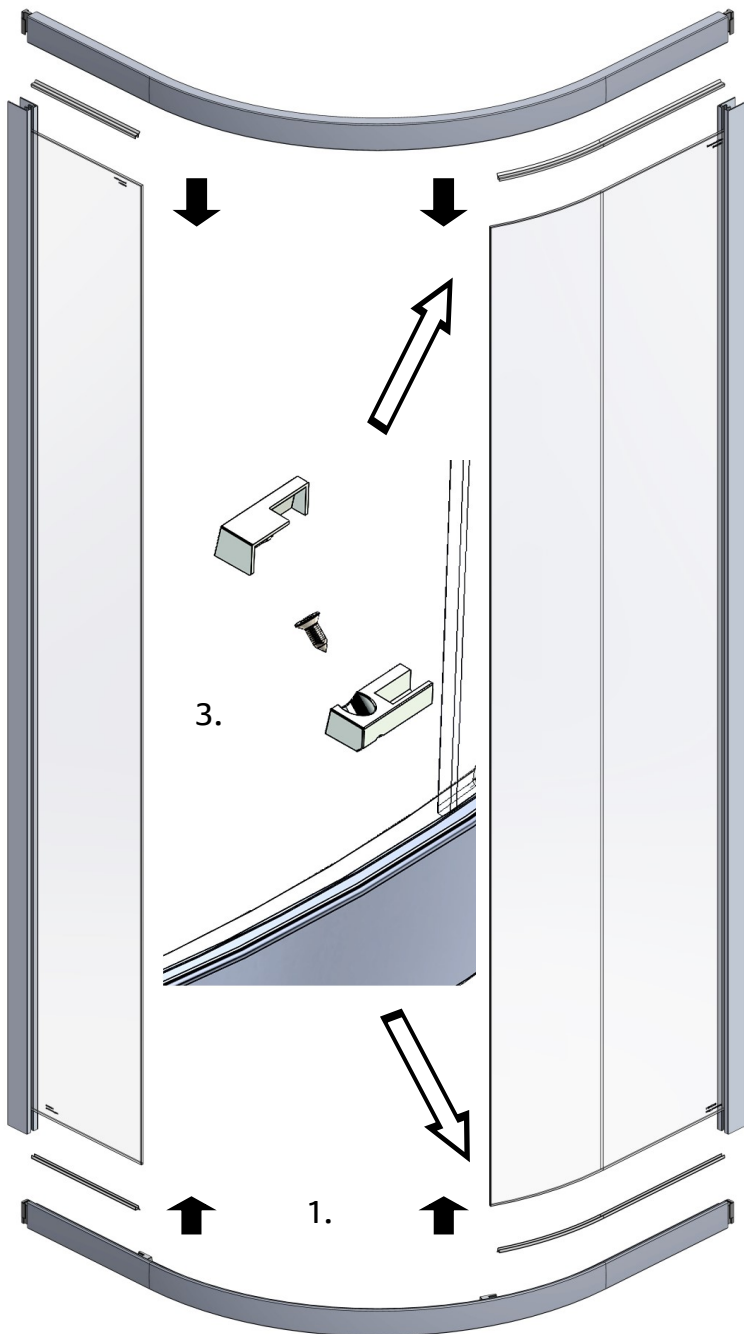


Wall profile orientation : Wall flange to shower side. Measure & mark wall rail positions, (ensure rail is fully inboard of tray rim), drill & plug walls only at this stage.

## MAIN FRAME SUB ASSEMBLY:

(B)

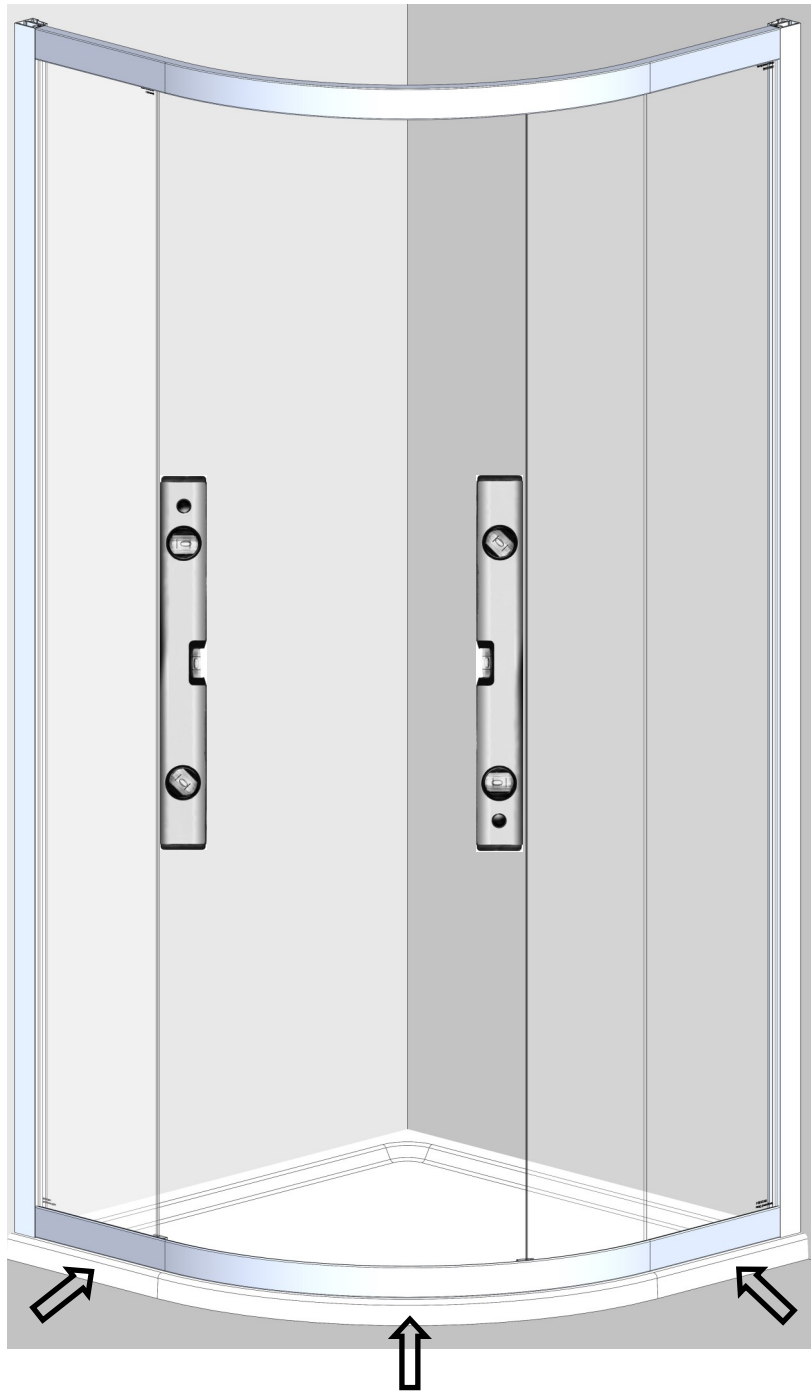
1. Fit horizontal glazing seals to top & bottom edges of panel glass with lip to inside of enclosure. Ensure seal is pushed up against vertical rail.  
(Note, Horizontal Seals may be 'wetted' to ease assembly, & may be omitted at TOP ONLY of frame for ease of construction).
2. Assemble bottom horizontal rail onto vertical frame profile and fixed panel assembly, ensure plastic joining parts are in slots in vertical rails. Tighten 4x screws to fix horizontal rail to verticals. Repeat steps to fit top rail.
3. At curved glass side, retain glass corners using glazing blocks, 3.5 x10 CSK screw, & affix glazing block covers.
4. Fit doorstops to rails in order shown. Doorstop buffers are marked 'Top' or 'Bottom', ensure correct stop is used in each rail.  
Fix with M3,5 x12mm self tapping screw then push in screw cover.



5. Once assembled, stand main frame on flat surface & check for correct location of horizontal profiles : measure frame height at centre of curve (1950mm) & squareness at corners. If required, loosen frame corner screws, adjust as necessary & re tighten.

## MAIN FRAME SETUP :

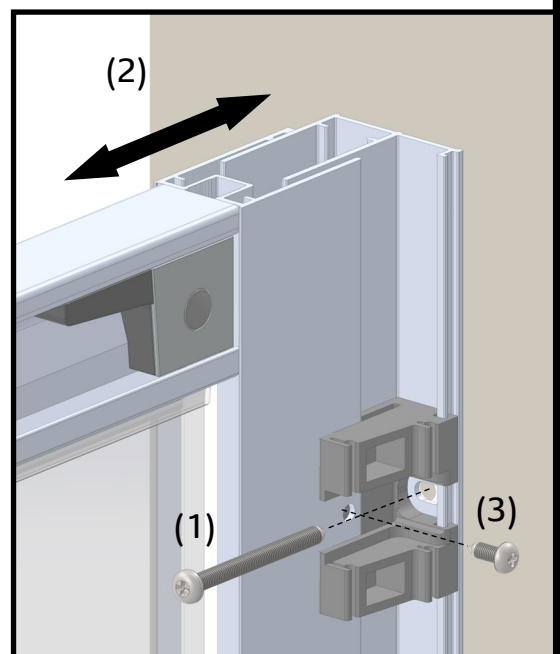
©



1. With wall rails pushed onto frame verticals, lift frame into position. Align holes in wall rails with wall plugs & affix using 4 x 45mm screws (6 places).

2. Manipulate frame within wall rails until even gap is achieved between frame & tray edge. Check both sides of frame for plumb.

3. From inside enclosure, using the wall rail holes as a guide, drill (3mm) & screw frame to wall rails using 3,5 x 10mm screws.



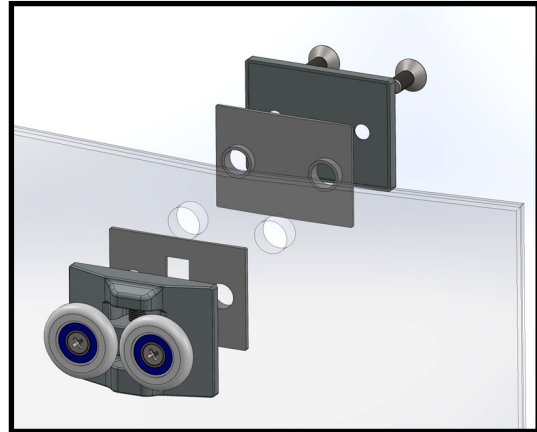
## DOOR ASSEMBLY:

Assemble door to suit desired hand.

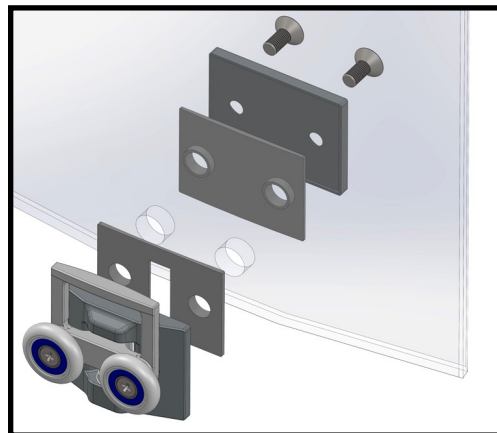
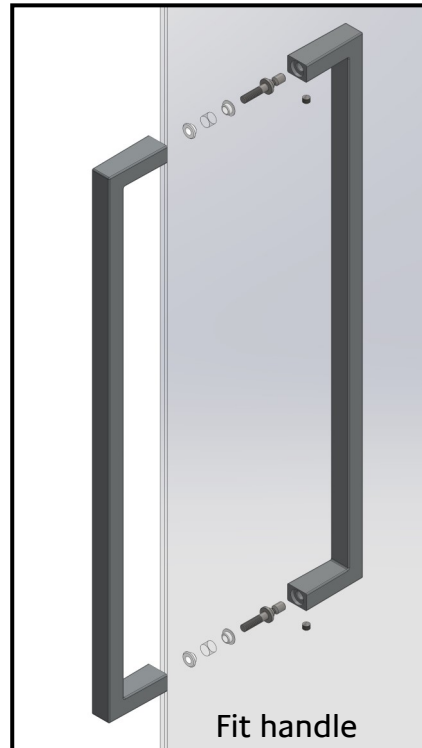


Wheels must be fitted to top & bottom of door glass as shown.

Ⓓ



Loosely fit top wheels at this stage  
Ensure screws are engaged in body, but  
do not tighten fully & do not fit cover.

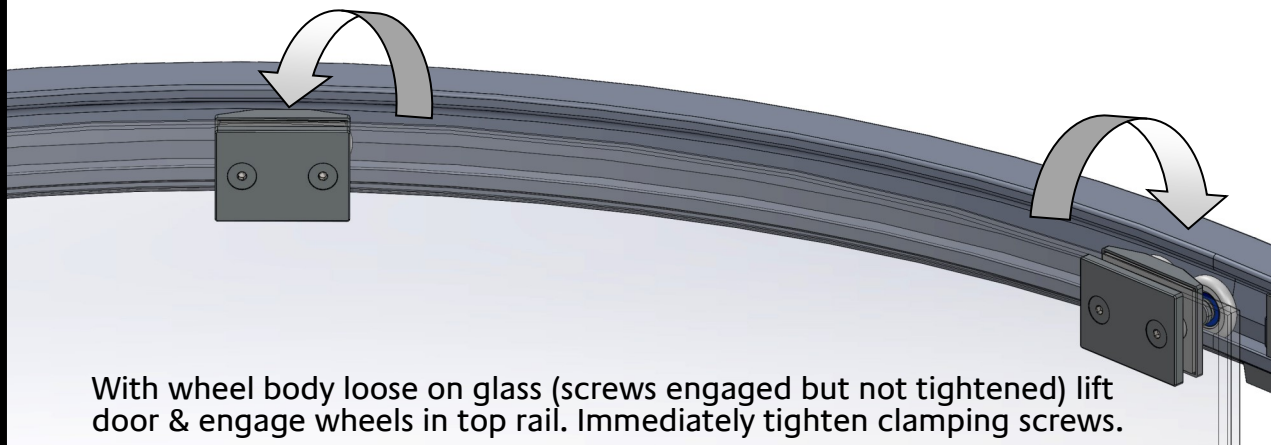


Fit bottom wheel & fully tighten screws.

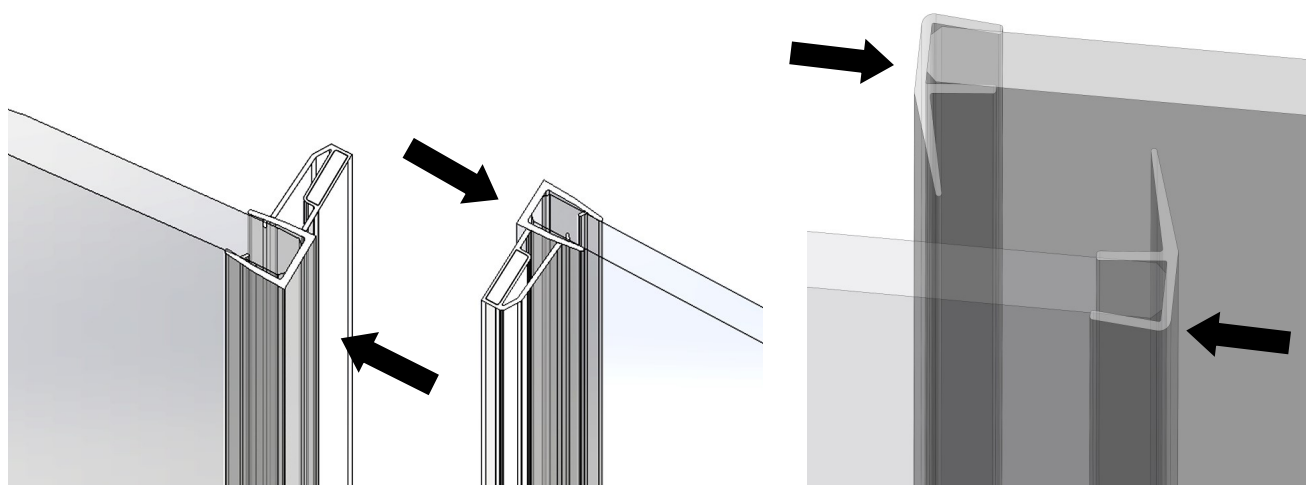


DOOR HANGING & SEALS :

E



Using buttons, engage bottom wheels in bottom rail.



Fit magnetic seals to leading edges of door and edge of straight panel.

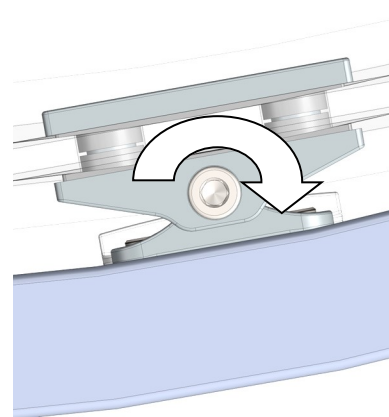
Fit edge seals to trailing edges of doors & open edges of fixed panels.

Seals may be 'Wetted' to ease assembly.



## DOOR ADJUSTMENT :

F

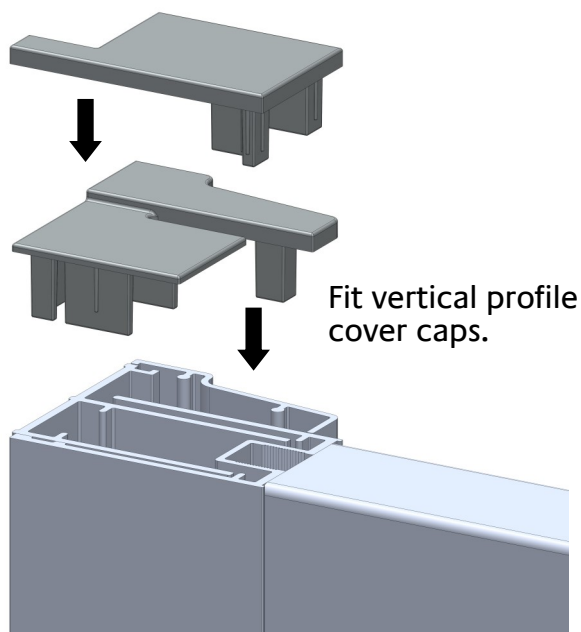


Using a 4mm Allen key, adjust door heights until even & doors run smoothly.

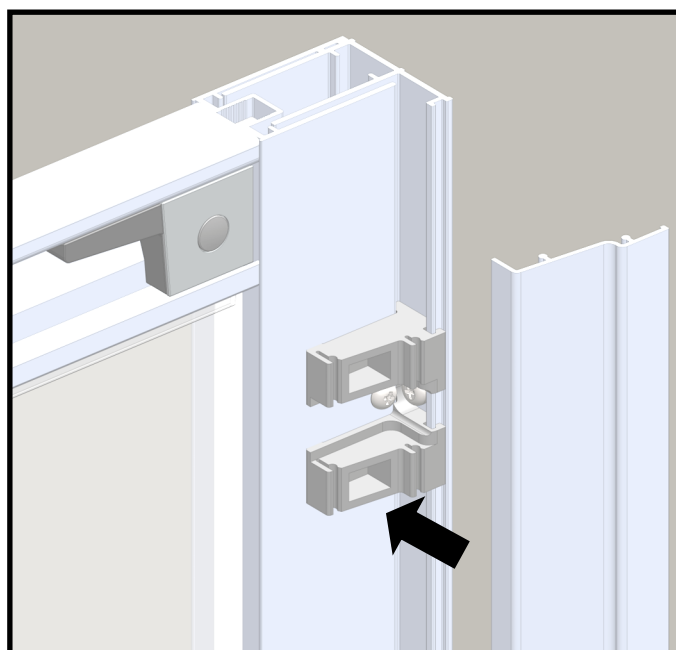
Adjust door angles so that magnetic seals hold door closed with no gaps, & that bottom wheels are securely engaged in bottom rail wheel track.

After adjusting, check that wheel backplate screws are tight.

Clip cover strip to the wall profile ensuring it is engaged on all 5 clips.

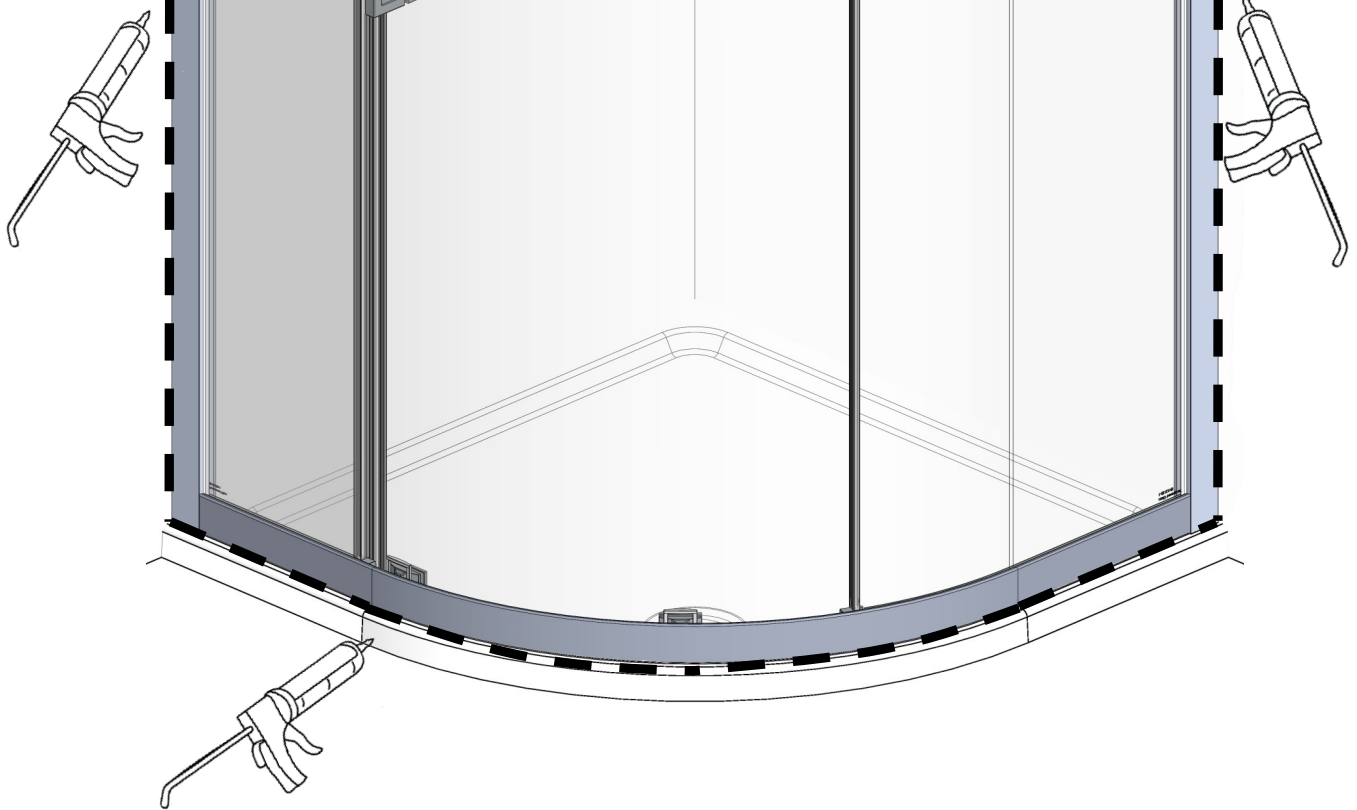


Fit vertical profile cover caps.



SEALING :

Ⓒ



Use of good quality silicone sealant & cleaning / degreasing of all joint areas is recommended.  
Apply continuous silicone sealant bead as indicated **EXTERNALLY ONLY**

## **BASIC TROUBLESHOOTING :**

Door magnetic seals not meeting precisely / not holding :

Ensure magnetic seals are pushed fully onto door edge over entire door length.

Check door alignments & adjust if necessary (see fig F).

Check Magnetic Seal orientations (reverse if necessary).

Door motion noisy / Door not running smoothly / Door loose on bottom rail :

Check for edge seals dragging on glass (can cause 'clicking' noise).

Check top wheels engaged properly in rails & roll smoothly along rails.

Check door height adjustment ~ raise doors so that spring loaded bottom wheels are in contact with & roll smoothly along bottom rail.

Wheels & Grooves are factory greased, however over time this may disperse or become contaminated by dust etc, cleaning of grooves & re application of sanitary silicone based grease will restore & ensure smooth door motion.

Leakage :

The sealing method described in these instructions relies on a continuous seal being applied between shower walls & tray before installing the enclosure (see fig A), it ensures a watertight seal around the perimeter of the enclosure to the shower walls & tray.

In the unlikely event of an enclosure leak, water will be visible on the outside of the enclosure itself, or around the perimeter silicone seal ONLY. Water / moisture appearing outside this area (i.e. at floor level) is normally due to incorrect tray installation.

## **Lakes Bathrooms Ltd**

Alexandra Way

Ashchurch

Tewkesbury

Gloucestershire GL20 8NB

Service England, Scotland, Wales

8.30am—5pm Mon ~ Thurs

8.30am—4.30pm Fri

Tel / HELPLINE : 01684 853870

Fax : 01684 857411

[www.lakeshoweringspaces.com](http://www.lakeshoweringspaces.com)

Email : [admin@lakeshoweringspaces.com](mailto:admin@lakeshoweringspaces.com)