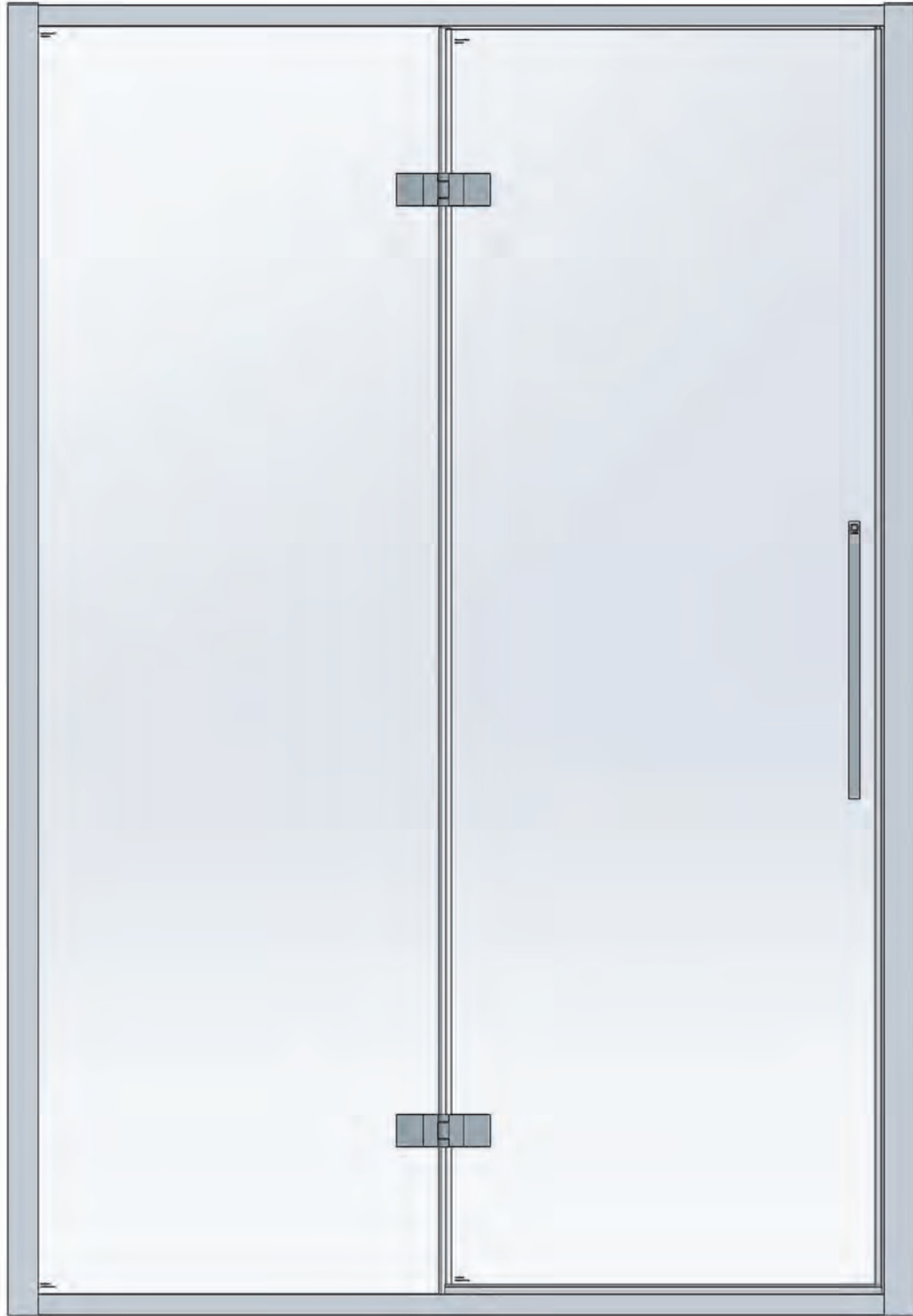


Hinge Door & Inline Panel Installation & Maintenance Instructions.

Rev. 05-24



LAKES
SHOWERING SPACES

IMPORTANT NOTES :

Please read carefully & retain these instructions for future reference.

1. For ease & safety we advise that two persons assemble this product.
2. Protect shower tray surface at all times.
3. Exposed glass corners/edges MUST NOT contact hard surfaces at any time.
4. Check for cables, pipes etc. before drilling walls.
5. Ensure all surfaces are dry, clean & free from loose debris or dust.
6. Unpack goods with care (small parts can become lodged in packaging and inadvertently discarded)
Check parts supplied against parts and fittings listed herein.
Damaged parts / omissions may be resolved by calling Lakes helpline.
7. Whilst precautions are taken in manufacture, care must be taken when handling as rail ends may have sharp edges.
8. Before commencing, check that :
 - a) shower tray (if used) is level & completely sealed to finished / tiled walls.
 - b) finished walls are sound and free of cracks, loose tiles / grout.
9. AFTER INSTALLATION DO NOT WET ENCLOSURE FOR 48 HOURS TO ENSURE FULL CURE OF SILICONE SEALANT.

Use :

General Care & Maintenance.

Provided this product is installed and operated in accordance with these instructions problems should not arise however should maintenance be required it should be carried out by a competent person with reference to these instructions. Before any work is carried out, the root cause of the problem must be identified. Lakes service engineers are available if necessary to consult / carry out remedial work. Call Lakes helpline.

Cleaning. (Every one to two weeks depending on local water (hardness) conditions)

All glass panels in this product have a hydrophobic coating which aids "runoff" of water droplets, reducing the need for frequent cleaning however for best appearance & product life regular cleaning is recommended.

Use ONLY mild soap / detergent solutions to clean, rinse with water, squeegee glass panels and wipe frames dry with a soft cloth. Under no circumstances should abrasive, caustic or scouring products be used. Non-compliance with these cleaning instructions may cause decorative finishes to deteriorate & could adversely affect safe operation of the enclosure.

Daily Care.

To prevent the build up of limescale, do not allow water droplets to dry on glass or frames. After showering, rinse with water, remove droplets of water from glass with a squeegee & wipe frame with a soft cloth.

Customer Service.

Quality guarantee : Lakes Bathrooms Ltd. guarantee shower doors and enclosures against any manufacturing or material defects for the lifetime of the product. We will resolve defects free of charge by repairing / replacing parts as we feel necessary. To be free of charge, service work must be carried out by Lakes Bathrooms or approved agents. Seals are considered "wear & tear" parts and as such are guaranteed for 12 months from purchase.

Not covered by this guarantee : Damage or defects that result from improper installation, improper use or lack of maintenance (including limescale buildup). Damage or defects that result from repairs / modifications undertaken by unauthorised persons. This guarantee is in addition to statutory and other legal rights.

What to do if anything goes wrong : Should the product not function correctly on initial use, firstly contact the installer to check that unit installation & commissioning are in accordance with these instructions. Should this not resolve difficulties or should performance decline, consult 'Troubleshooting' section of these instructions to see if simple home maintenance is needed. Alternatively our helpline staff can assist or arrange for a service engineer to visit if necessary.

Spares : We maintain an extensive spare parts stocks. spares can be ordered / purchased from your retailer in the first instance. Parts will normally be despatched within two working days from placement of order.

Parts:



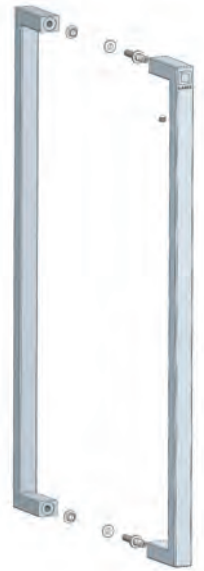
Hinge Panel x1



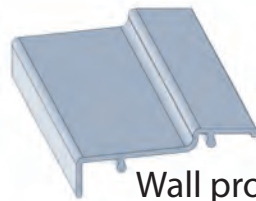
Door Glass x1



Wall profile assembly x2
(inc. 5 plastic clips)



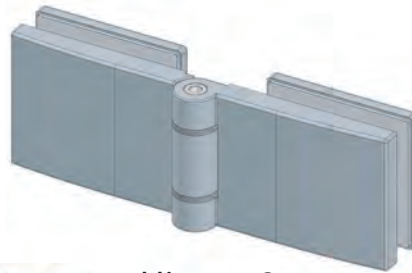
Handle kit x1



Wall profile
cover strip. x2



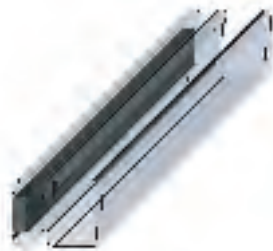
Door Support
Block x2



Hinge x2



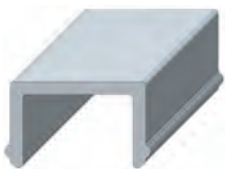
Vertical Closing Profile
& Magnet x1



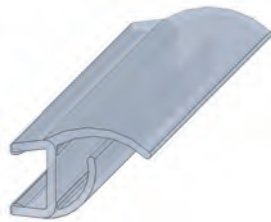
Door Magnet x1



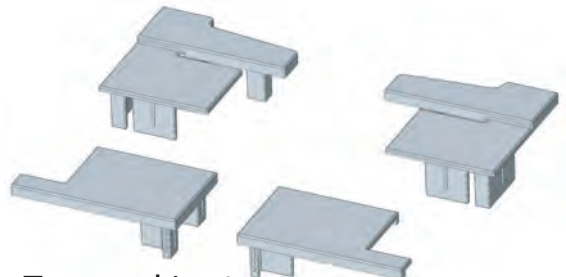
Horizontal Rail Assembly
(Handed Pair)



Horizontal Rail
Infill x2



Vertical Seal x1



Top cap kit x1



Door Bottom
Seal x1



3,5 x 10mm Long
Screw x6

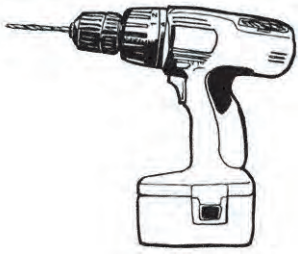


4 x 45mm Long
screw x6



Wall plug x6

Tools Required:



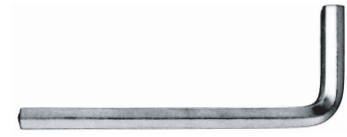
Power drill & 8mm masonry or tile bit



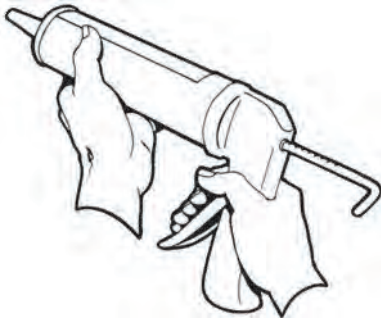
Spirit level



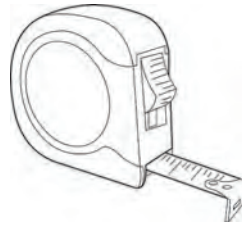
3mm HSS drill bit



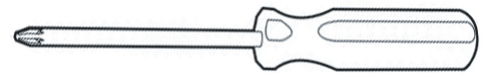
4mm Allen (hex) key



Good quality silicone sealant & applicator



Tape measure



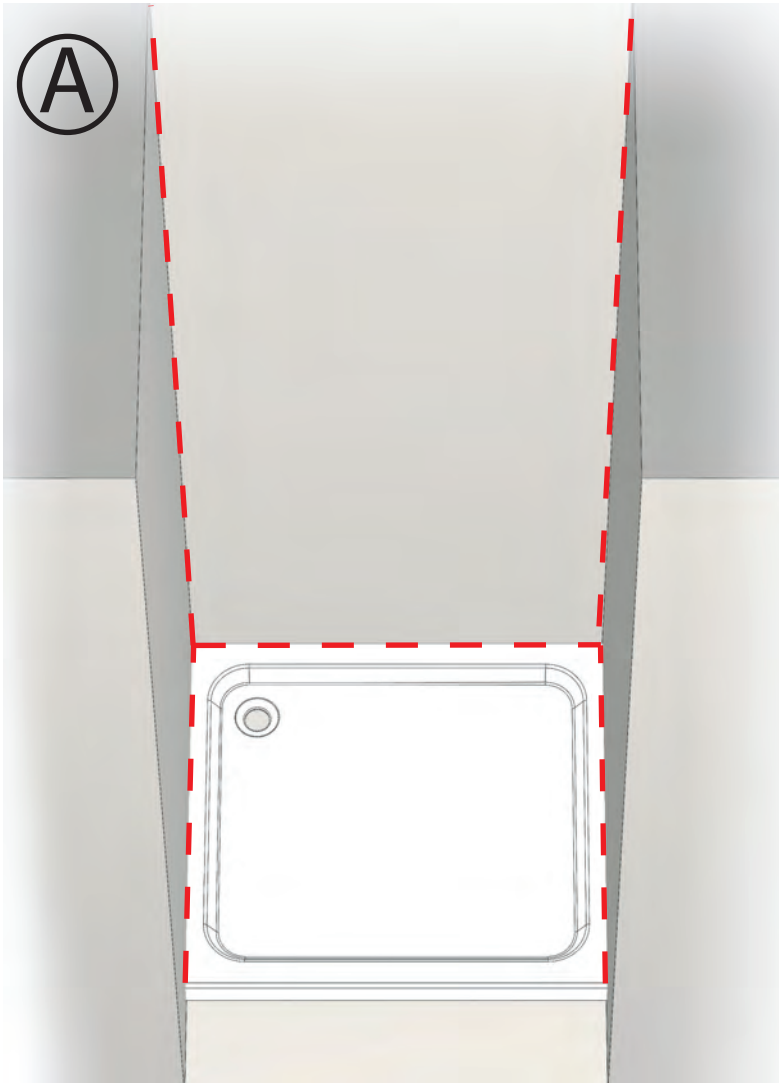
Pozi driv screwdriver



Pencil

Size ref	Adjustment range
1000mm	950 - 1000mm
1100mm	1050 - 1100mm
1200mm	1150 - 1200mm
1300mm	1250 - 1300mm
1400mm	1350 - 1400mm
1500mm	1450 - 1500mm
1600mm	1550 - 1600mm
1700mm	1650 - 1700mm

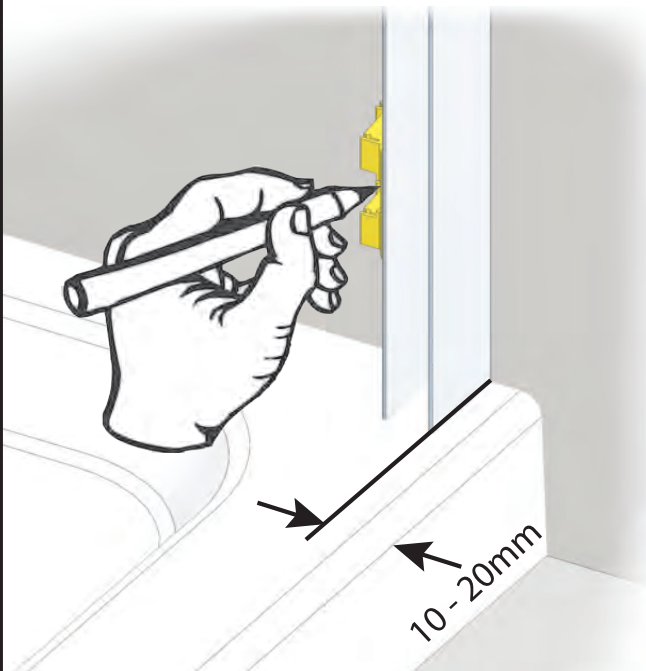
(A)



Lakes Hinge Door & Inline Panel is fully reversible so is suitable for fitting with opening to left or right hand side of enclosure.

Ensure tray is correctly levelled & that tray / wall (tile) joints are sealed & cured over entire length of tray sides (See Fig A) prior to fitting enclosure.

DO NOT SEAL TRAY EDGES UP TO A FITTED ENCLOSURE !

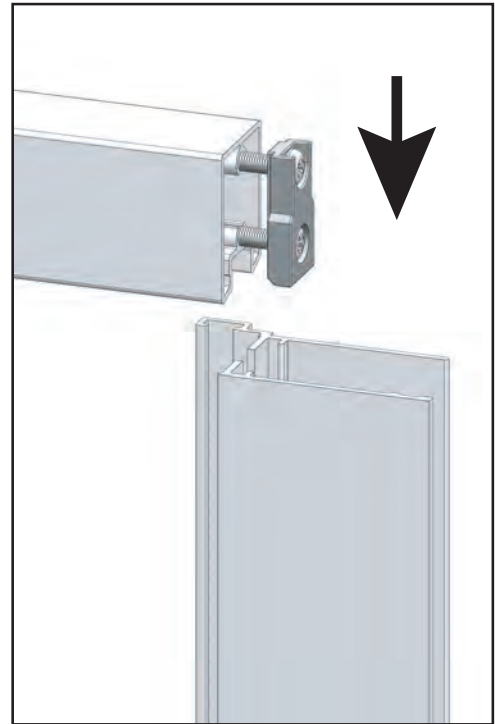
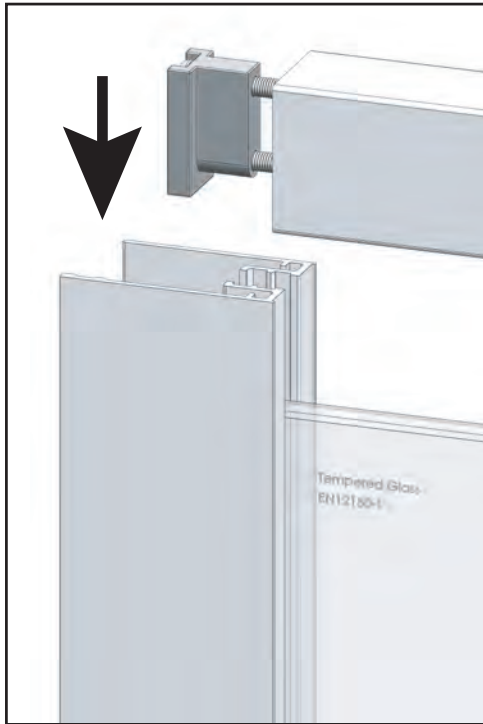


With front of wall profile positioned as shown on the tray (flange / clips to inside of enclosure) ensure profile is fully plumb & mark the centre of the 3 slots on the flange.

Drill marked positions with 8mm masonry or tile bit & plug holes ONLY at this stage.

NOTE : For Side Panel installations, refer to X / Y wall profile positions stated in side panel instructions.

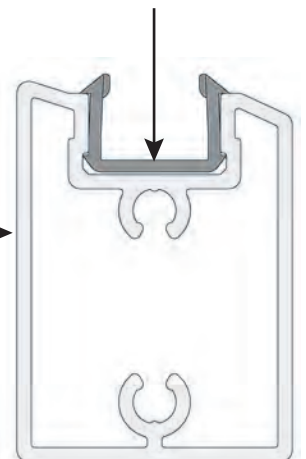
B Frame Assembly



1. Ensure glazing channel is installed in the rails and is to the correct (Hinge panel) side).
2. Assemble bottom horizontal rail onto vertical frame profile and fixed panel assembly, ensure plastic joining parts are in slots in vertical rails. Repeat steps to fit top rail.
3. Tighten screw to fix horizontal rails to verticals.

Glazing channel in horizontal rail.

THIS FACE TO FRONT
'DRY' SIDE OF
ENCLOSURE.





Frame Installation

(One of two methods may be used)

Method 1:

- 1a. Affix either wall profile to one wall & fit other onto opposite frame side.
- 1b. Keeping unit upright, lift frame over tray & insert into fixed wall profile.
- 1c. Push back and align second wall profile to wall plugs.

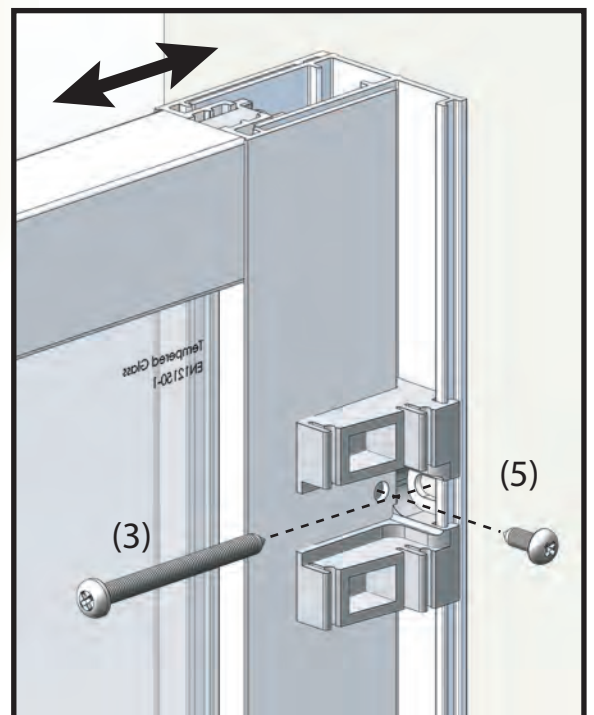
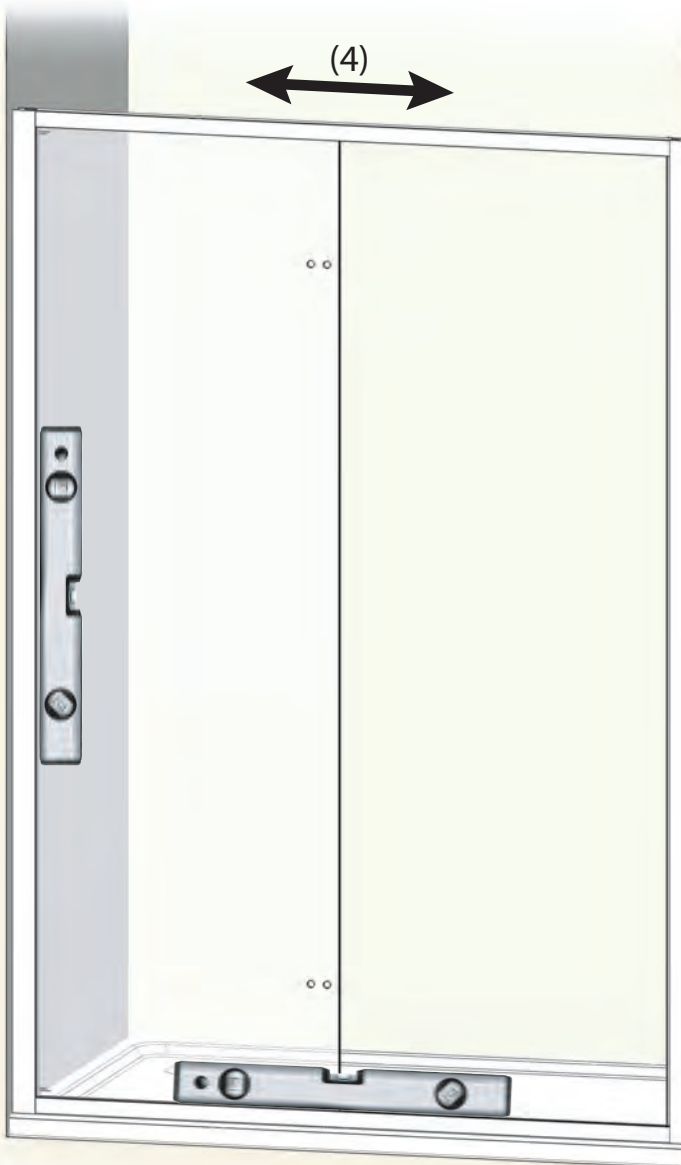
Method 2:

- 2a. Fit both wall profiles onto frame sides.
- 2b. Keeping unit upright, lift frame onto tray & align both sides to wall plugs.

3. For either installation method.
Once aligned, fix to walls with
M4 x 45mm screws.

4. Manipulate frame within wall profiles
until centred & ensure frame is plumb.

5. From inside enclosure, using holes in
wall profiles as a guide, drill (3mm) &
screw frame to wall profile using
M3,5 x 10mm screws

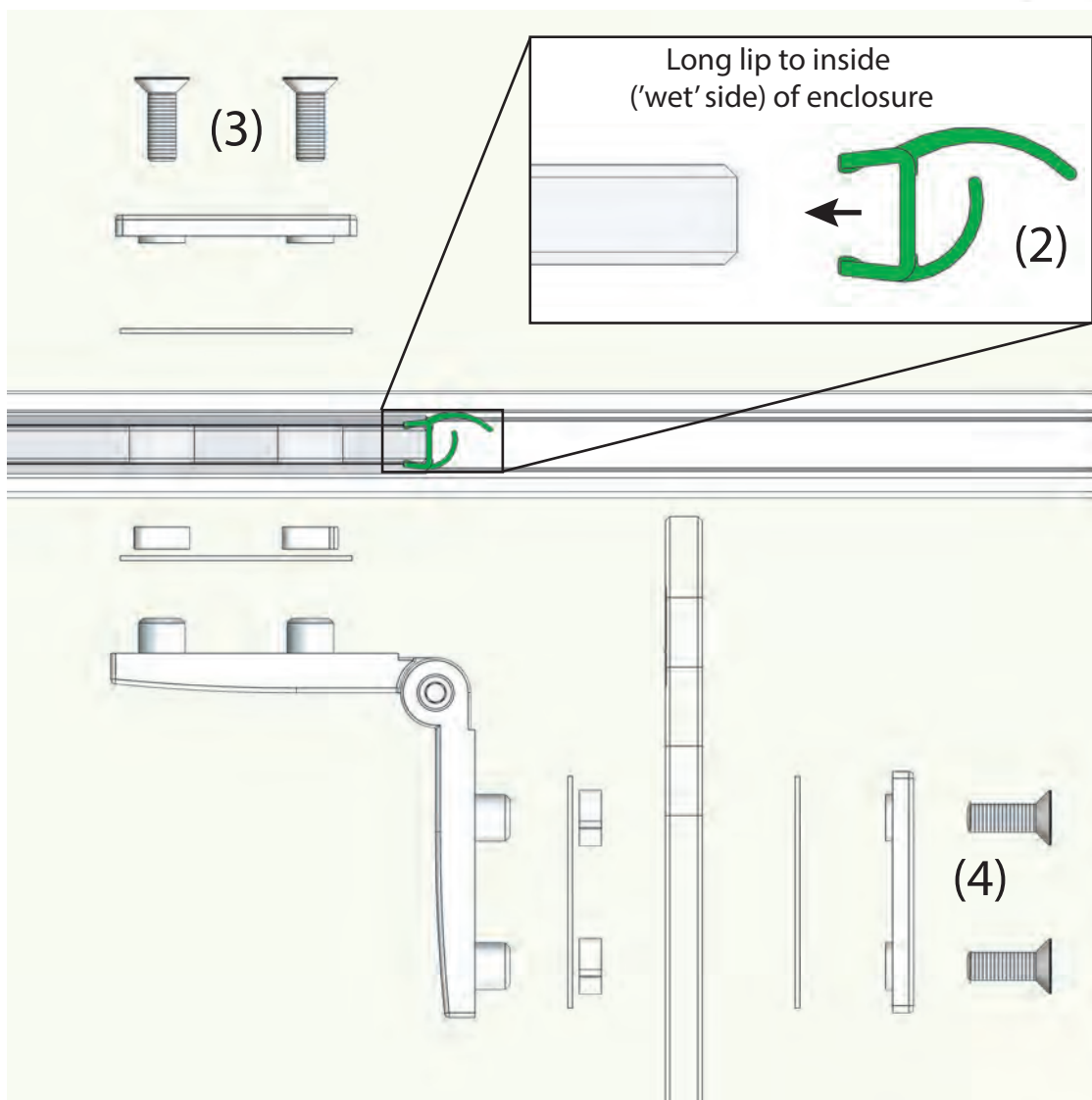
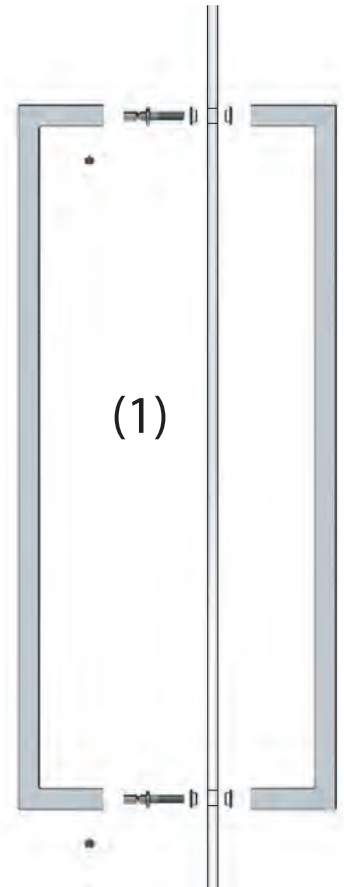


D

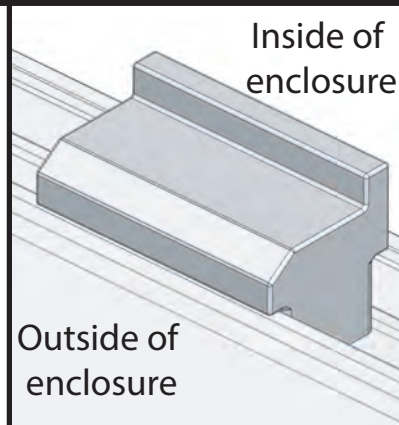
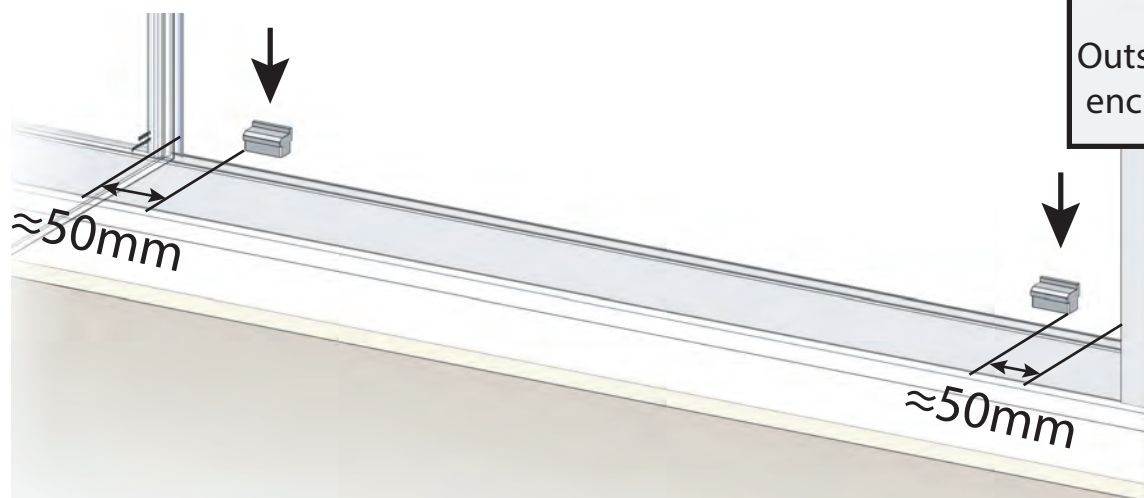
Door Fitting

(Two persons will ease fitting at this stage)

1. Fit handle to door glass with logo to front of enclosure.
2. Fit vertical lip seal to protect glass edges during door fitting.
Fit seal in orientation shown in Fig. 2.
Fit door magnet seal with magnet to inside of enclosure.
3. Loosely fix hinge to hinge panel, do not tighten at this stage.
4. Loosely fix door glass to hinge being sure to support weight of door so as not to damage frame or glass.



5. Place both door support blocks into channel in horizontal rail as shown.



6. From inside of enclosure, close door and lift onto door support blocks. Ensure door is square in frame & magnetic seals meet over the complete height of the door.

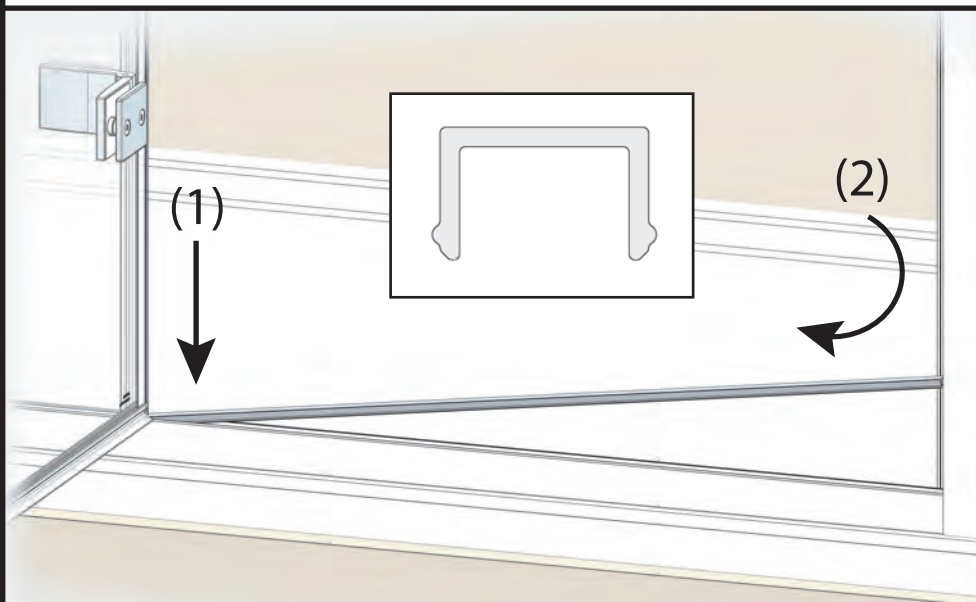
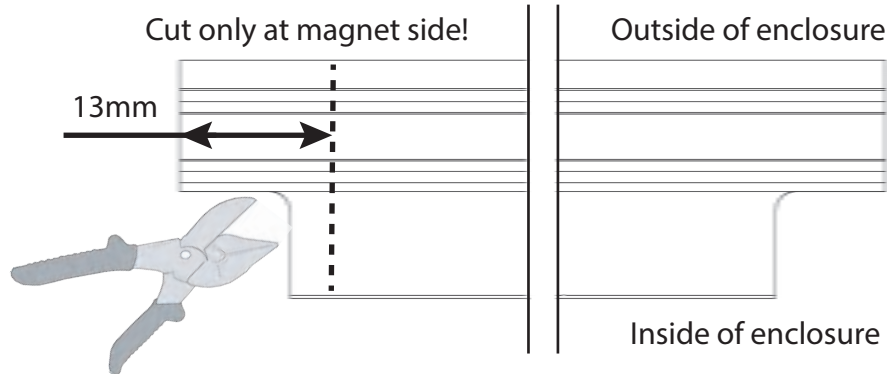
7. Tighten screws in backplate of hinges to fully clamp on both hinge panel side & door side.

8. Open door and remove support blocks from rail. (Retain in case required for future use)

Fit door bottom seal.

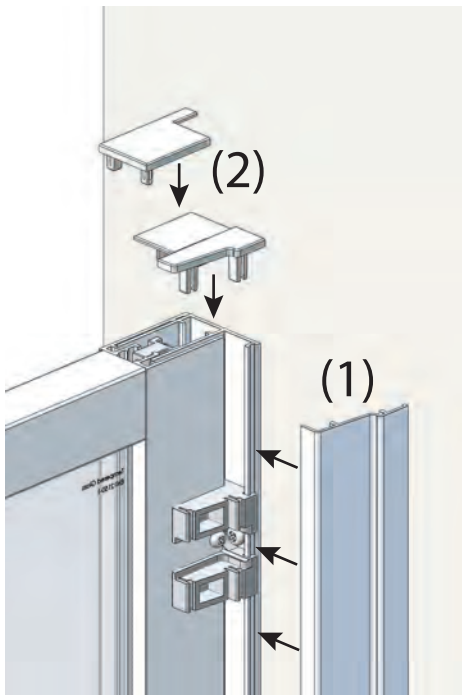
1. Cut the door closing (magnet) end of the seal where shown.

2. Push bottom seal onto bottom of door glass (seal may be wetted to aid fitment)



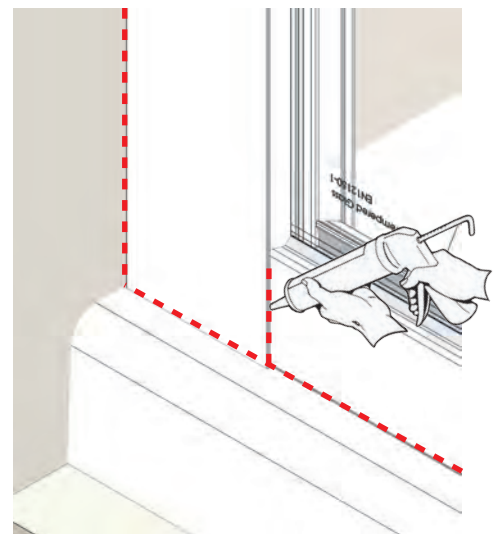
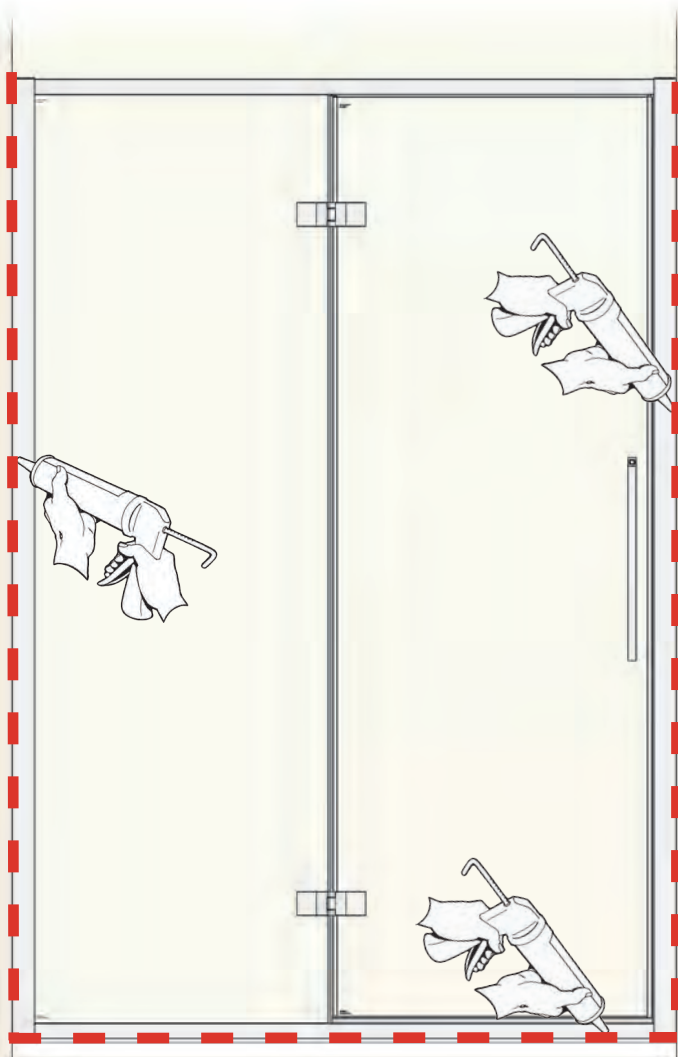
Fit horizontal rail infills into horizontal rails (top & bottom)

1. Slide end under (or over for top rail) vertical hinge seal
2. Push opposite end down into rail channel.



1. Push on wall profile cover strips ensuring it is engaged on all 5 cover clips.
2. Fit frame top caps in order shown.

Apply a continuous bead of silicone sealant EXTERNALLY ONLY as shown.
Cleaning / degreasing of joints is highly recommended.
Use a good quality silicone sealant for best results.



Apply silicone at frame joints on both sides.

BASIC TROUBLESHOOTING :

Door magnetic seals not meeting precisely / not holding :

Check door alignment and adjust.

Door motion noisy :

Check for door rubbing on frame and adjust if necessary

Lubricate hinge pin with sanitary silicone lubricant.

Check for lip seals dragging on frame and adjust door frame if necessary.

Leakage :

The sealing method described in these instructions relies on a continuous seal being applied between shower walls & tray before installing the enclosure (see fig A), it ensures a watertight seal around the perimeter of the enclosure to the shower walls & tray.

In the unlikely event of an enclosure leak, water will be visible on the outside of the enclosure itself, or around the perimeter silicone seal ONLY. Water / moisture appearing outside this area (i.e. at floor level) is normally due to incorrect tray installation.

Lakes Bathrooms Ltd.
Alexandra Way,
Ashchurch,
Tewkesbury,
Glos.
GL20 8NB

Service : England, Scotland & Wales
08:30 - 17:00 Mon. - Thurs.
08:30 - 16:30 Fri.
01684 857411

www.lakeshoweringspaces.com

info@lakeshoweringspaces.co.uk