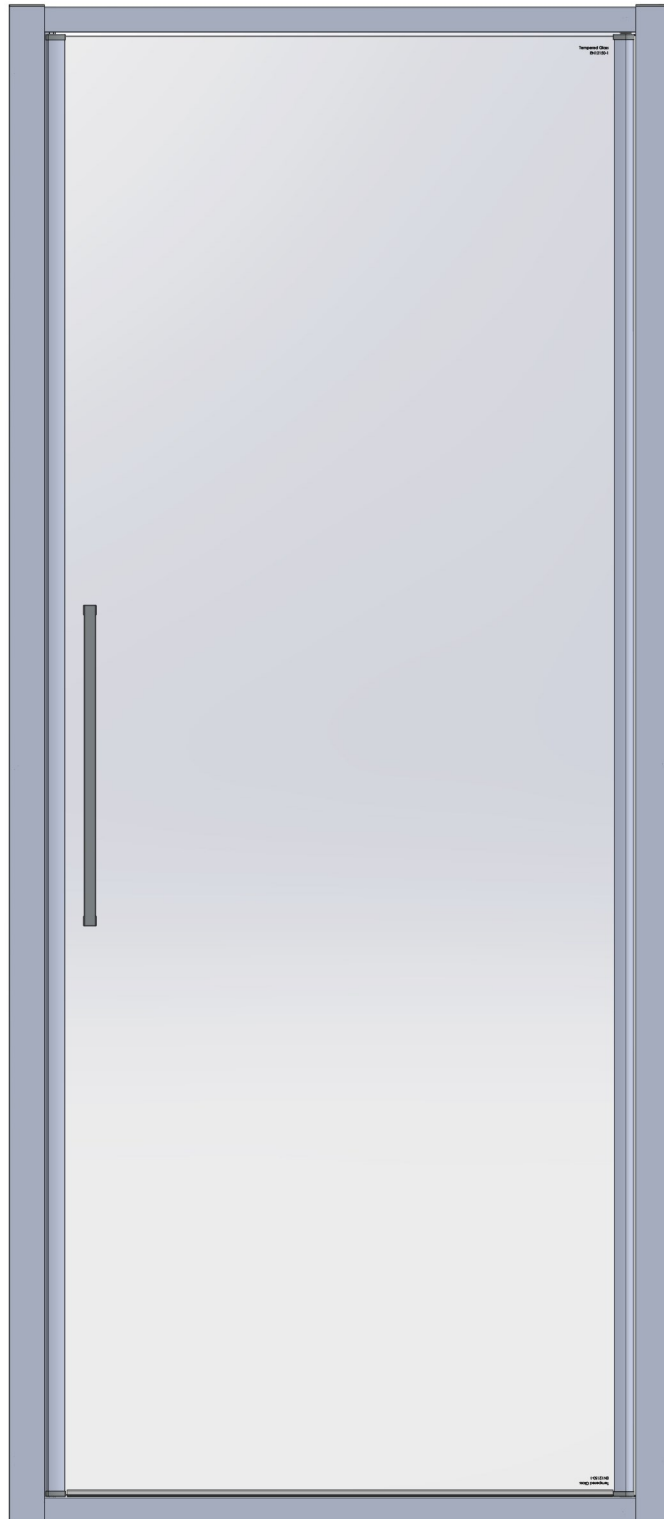


Wave Series Hinge Door

Installation & Maintenance Instructions

Rev. 10.21



IMPORTANT NOTES :

Please read carefully & retain these instructions for future reference.

1. For ease & safety we advise that two persons assemble this product.
2. Protect shower tray surfaces at all times.
3. Exposed glass corners / edges **MUST NOT** contact hard surfaces at any time.
4. Check for cables, pipes etc before drilling walls.
5. Ensure all surfaces are dry, clean & free of loose debris / dust.
6. Unpack goods with care (small parts can become lodged in packaging & inadvertently discarded). Check parts supplied against parts & fittings listed herein. Damaged parts / omissions may be resolved by calling Lakes Bathrooms Helpline.
7. Whilst precautions are taken in manufacture, care must be taken when handling as rail ends may have sharp edges.
8. Before commencing, check :
 - a) shower tray is level & completely sealed to finished / tiled walls.
 - b) finished walls are sound & free of cracks loose tiles / grout.
9. **AFTER INSTALLATION, DO NOT 'WET' ENCLOSURE FOR 48 HOURS (ENSURE FULL CURE OF SILICONE SEALANT).**

USE :

General Care & Maintenance.

Provided this product is installed & operated in accordance with these instructions, problems should not arise. However should maintenance be required it should be carried out by a competent person with reference to these instructions. Before any work is carried out the root cause of the problem must be identified. Lakes Bathrooms service engineers are available if necessary to consult / carry out remedial work. Call Lakes Bathrooms HELPLINE.

Cleaning.

(Every one to two weeks depending on local water {hardness} conditions).

All glass panels in this product have a hydrophobic coating aiding 'runoff' of water droplets, reducing the need for frequent cleaning. For best appearance / product life however, regular cleaning is recommended.

Use **ONLY** mild soap / detergent solutions to clean. Rinse with water, squeegee glass panels & wipe frames dry with a soft cloth. Under no circumstances should abrasive, caustic or scouring products be used. Non compliance with these cleaning instructions may cause decorative finishes to deteriorate & could adversely affect safe operation of the enclosure.

Limescale ~ should a build up of limescale occur, remove using a 50:50 solution of white vinegar & water applied with a soft cloth & rinsed / dried thoroughly afterwards.

Daily Care.

To prevent the build up of limescale, do not allow water droplets to dry on glass or frames. After showering, rinse with water, remove droplets from glass with a squeegee & wipe frame with a soft cloth.

Customer Service.

Quality Guarantee : Lakes Bathrooms Ltd guarantee Shower Doors & Enclosures against any manufacturing or material defects for the lifetime of the product. We will resolve defects free of charge by repairing / replacing parts as we feel necessary. To be 'free of charge' service work must be carried out by Lakes Bathrooms or approved agents.

Seals are considered 'wear & tear' parts, as such, they are guaranteed for 12 months from purchase.

Not Covered by this Guarantee : Damage or defects that result from improper installation, improper use, or lack of maintenance (including limescale buildup). Damage or defects that result from repairs / modifications undertaken by unauthorized persons. This guarantee is in addition to statutory & other legal rights.

What to do if something goes wrong : Should the product not function correctly on initial use, firstly, contact the installer to check that unit installation & commissioning are in accordance with these instructions. Should this not resolve difficulties or should performance decline, consult 'Troubleshooting' section to see if simple home maintenance is needed. Alternatively our HELPLINE staff can assist, or if necessary arrange for a service engineer to visit.

Spares : We maintain extensive spare part stocks. Spares can be ordered / purchased from your retailer in the first instance. Parts will normally be dispatched within two working days from order placement.

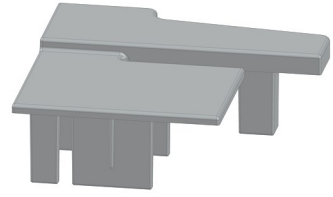
SUPPLIED PARTS :



Door Sub Assy (1x)



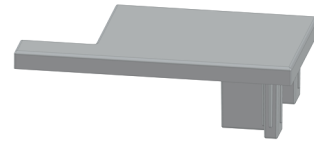
Wall Rail Assy
1950mm (2x)



Top Cap inner
(Vertical rail)
(handed pair)



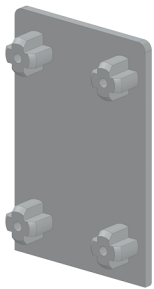
Handle
Kit (1x)



Top Cap outer
(Vertical rail)
(handed pair)



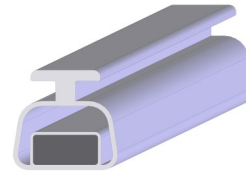
Door Bottom
Seal (1x)



Hinge Block
Cover (2x)



Wall Profile Cover
Strip (2x)



Frame
Magnetic Seal
(1x)



4 x 45 long self
tapping screw
(6x)

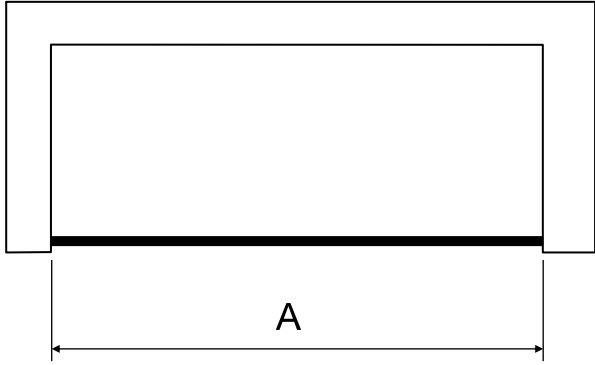


7,5 x 39mm
Wall Plug (6x)



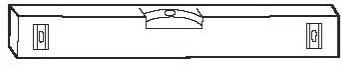
3,5 x 10 long Pan Head
self tapping screw (6x)

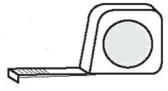
Size	Adjustment Range (mm) 'A'
700	650 - 700
750	700 - 750
800	750 - 800
900	850 - 900
1000	950 - 1000





A


Tools Required



 Spirit Level (with vertical 'bubble')

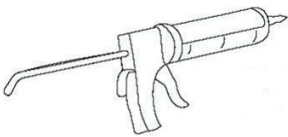

 Tape Measure



 4mm Allen Key


 Power drill & 8mm masonry bit


 Pencil

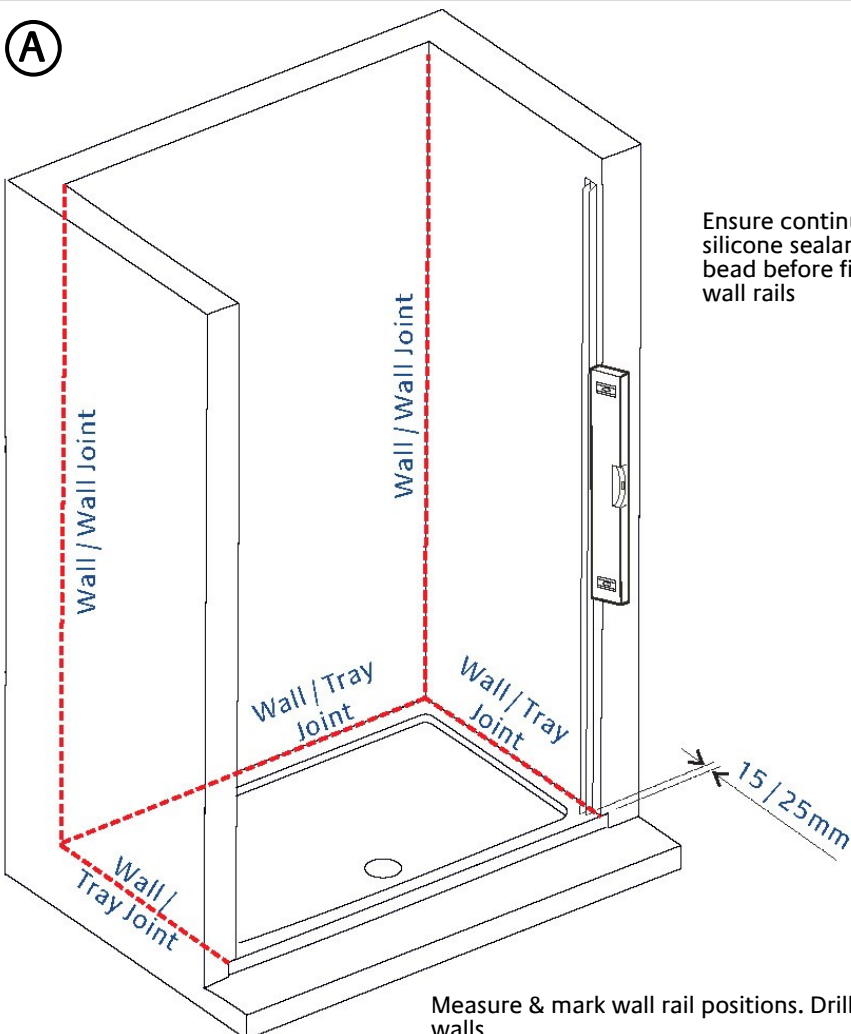

 Pozi drive Screwdriver


 Good quality silicone sealant & applicator


 3mm HSS drill bit

Ensure tray is correctly levelled & that tray / wall (tile) joints are sealed & cured over entire length of tray sides (See Fig A) prior to fitting enclosure.
DO NOT SEAL TRAY EDGES UPTO A FITTED ENCLOSURE !

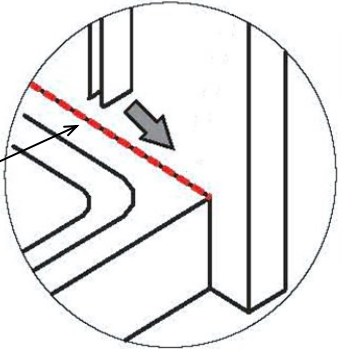
(A)


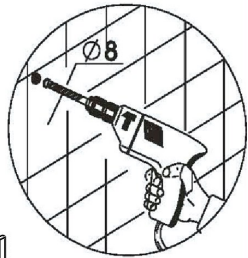


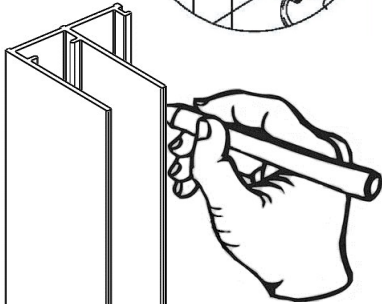
15 / 25mm

Measure & mark wall rail positions. Drill & plug walls.
ONLY FIX ONE WALL RAIL AT THIS STAGE.

Ensure continuous silicone sealant bead before fitting wall rails



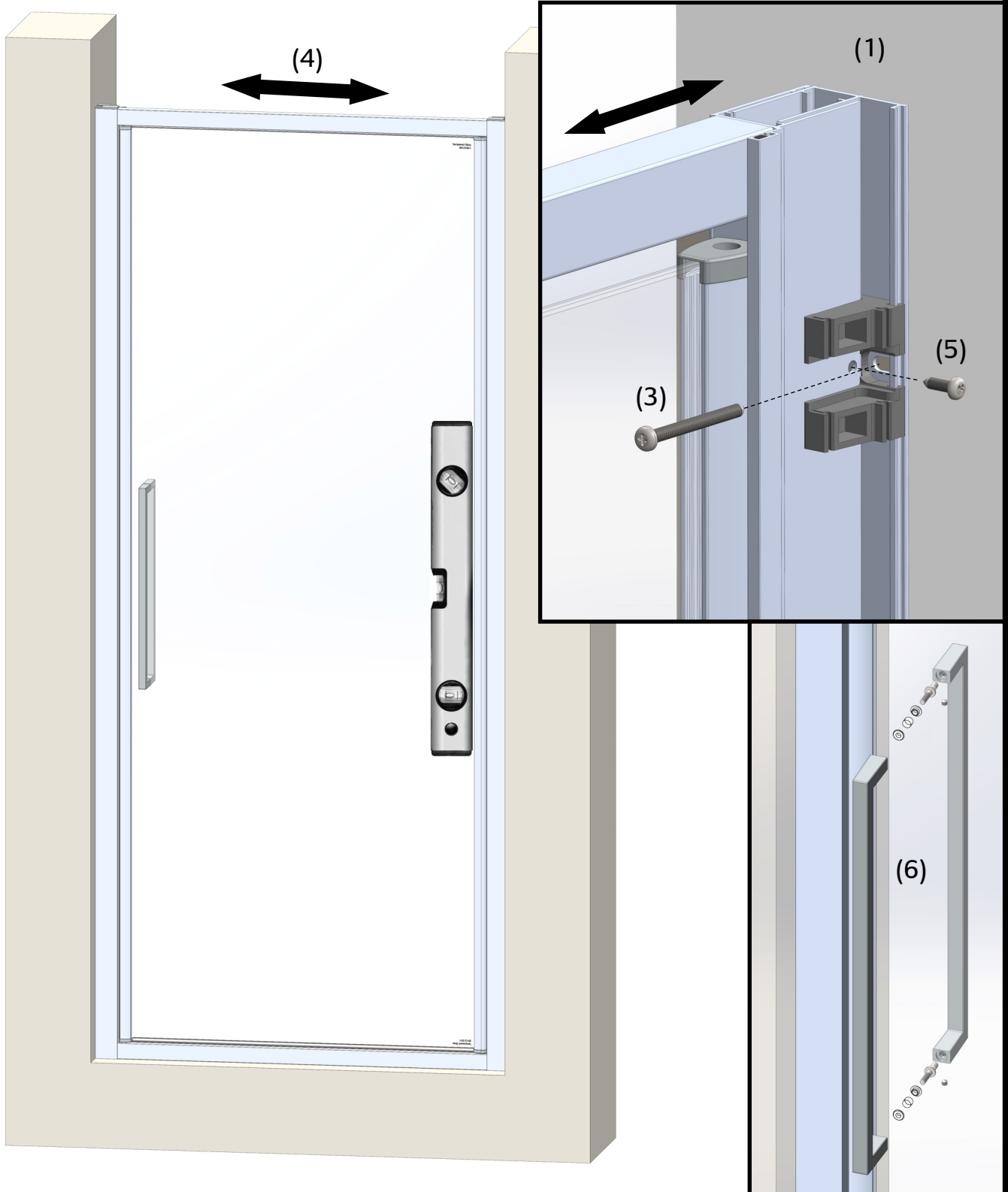





MAIN FRAME SETUP :

(B)

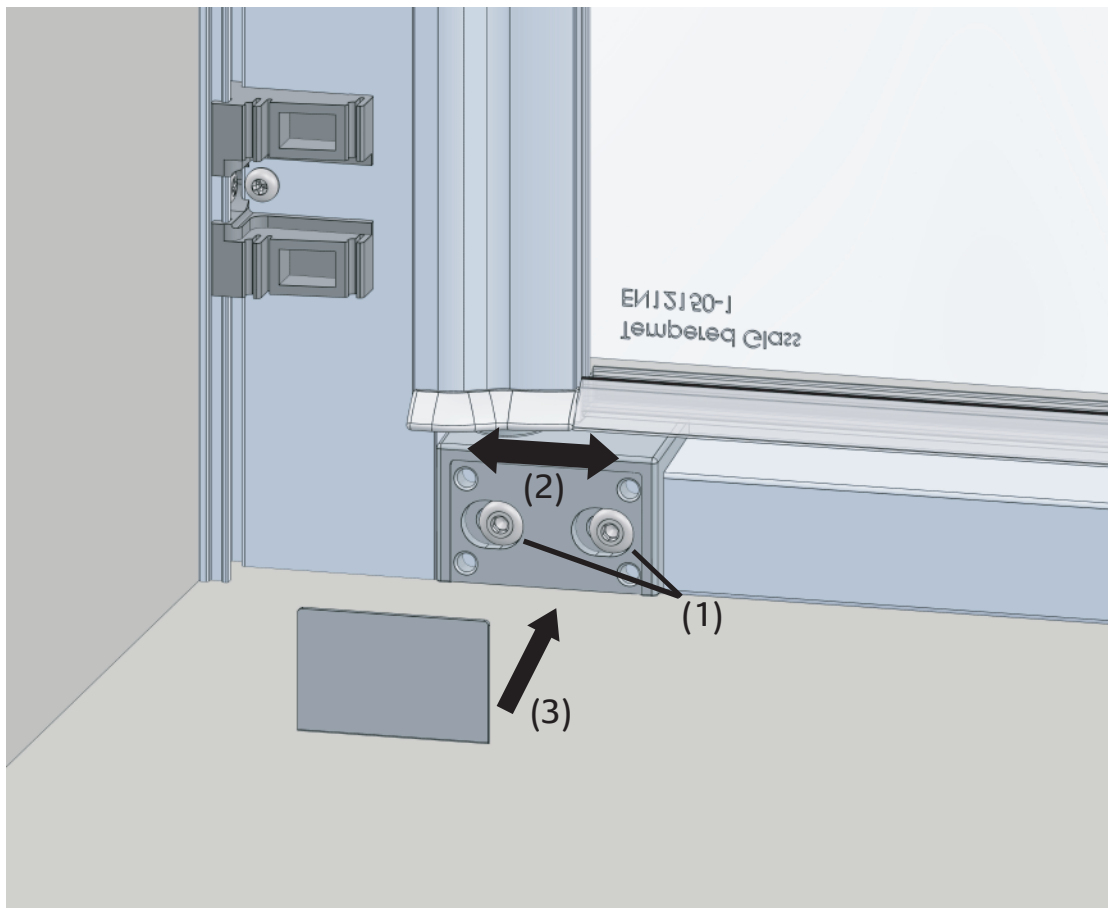
1. Fit wall rail not already fixed to wall onto side of frame.
2. Keeping frame upright, lift over tray rim & insert into fixed wall rail.
3. Align holes in unfixed wall rail with plugs & fix wall rail to wall with 4 x 45 long screws.



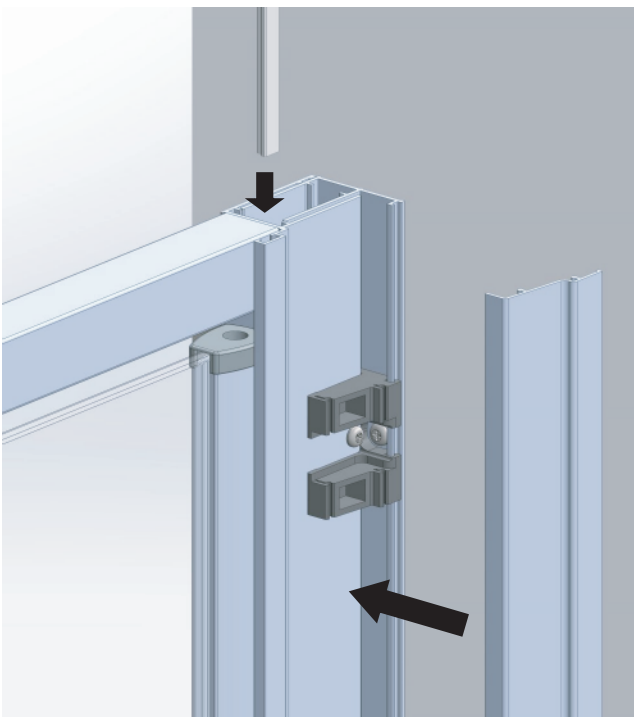
4. Manipulate frame within wall rails until centred & ensure frame is completely plumb and door opens & closes without fouling the frame.
5. From inside enclosure, using the wall profile holes as a guide, drill (3mm) & screw frame to wall rails using 3,5 x 10mm screws.
6. Fix handle to door.

DOOR ADJUSTMENT:

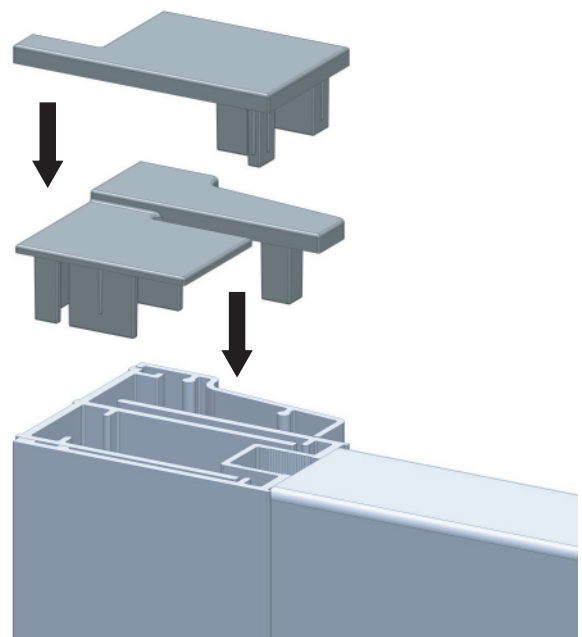
©



The door should open and close without any interference between parts. If door adjustment is required, loosen hinge screws half a turn (1), move hinge block to desired position (2), Tighten screw fully then fit hinge cover cap (3).
Hinge can be adjusted at both the top & bottom.



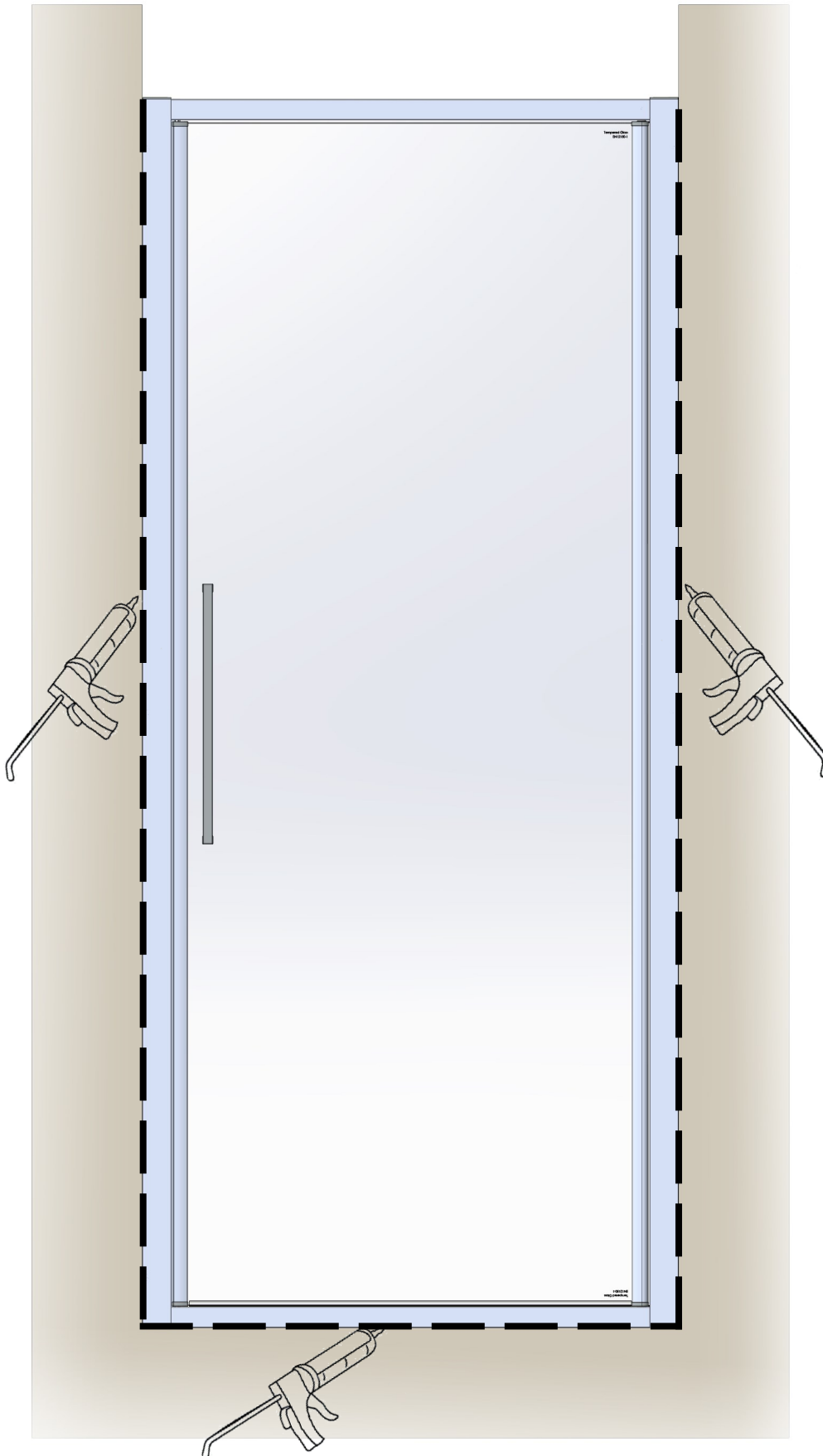
Fit Magnetic seal into channel on vertical profile.
Push cover strip onto the wall profile ensuring it is engaged on all 3 clips.



Fit vertical profile cover caps in order shown.

SEALING :

Ⓓ



Use of good quality silicone sealant & cleaning / degreasing of all joint areas is recommended.
Apply continuous silicone sealant bead as indicated EXTERNALLY ONLY

BASIC TROUBLESHOOTING :

Door magnetic seals not meeting precisely / not holding :

Check door alignments & adjust if necessary (see fig C).

Check Magnetic Seal orientations (reverse if necessary).

Door motion noisy / Door not running smoothly :

Check for edge seals dragging on frame (can cause 'clicking' noise) \ and adjust door if necessary.

Leakage :

The sealing method described in these instructions relies on a continuous seal being applied between shower walls & tray before installing the enclosure (see fig A), it ensures a watertight seal around the perimeter of the enclosure to the shower walls & tray.

In the unlikely event of an enclosure leak, water will be visible on the outside of the enclosure itself, or around the perimeter silicone seal ONLY. Water / moisture appearing outside this area (i.e. at floor level) is normally due to incorrect tray installation.

Lakes Bathrooms Ltd

Alexandra Way
Ashchurch
Tewkesbury
Gloucestershire GL20 8NB

Service England, Scotland, Wales

8.30am—5pm Mon ~ Thurs

8.30am—4.30pm Fri

Tel / HELPLINE : 01684 853870

Fax : 01684 857411

www.lakeshoweringspaces.com

Email : admin@lakeshoweringspaces.com

Service : Northern Ireland

Ian A Kernohan

Firtrees

Green Way Industrial Estate

Conlig

Northern Ireland

BT23 7SU

8.30am—5pm Mon ~ Thurs

8.30am—4.30pm Fri

Tel : 02891 270233

Fax : 02891 270597

Email : info@iakonline.com