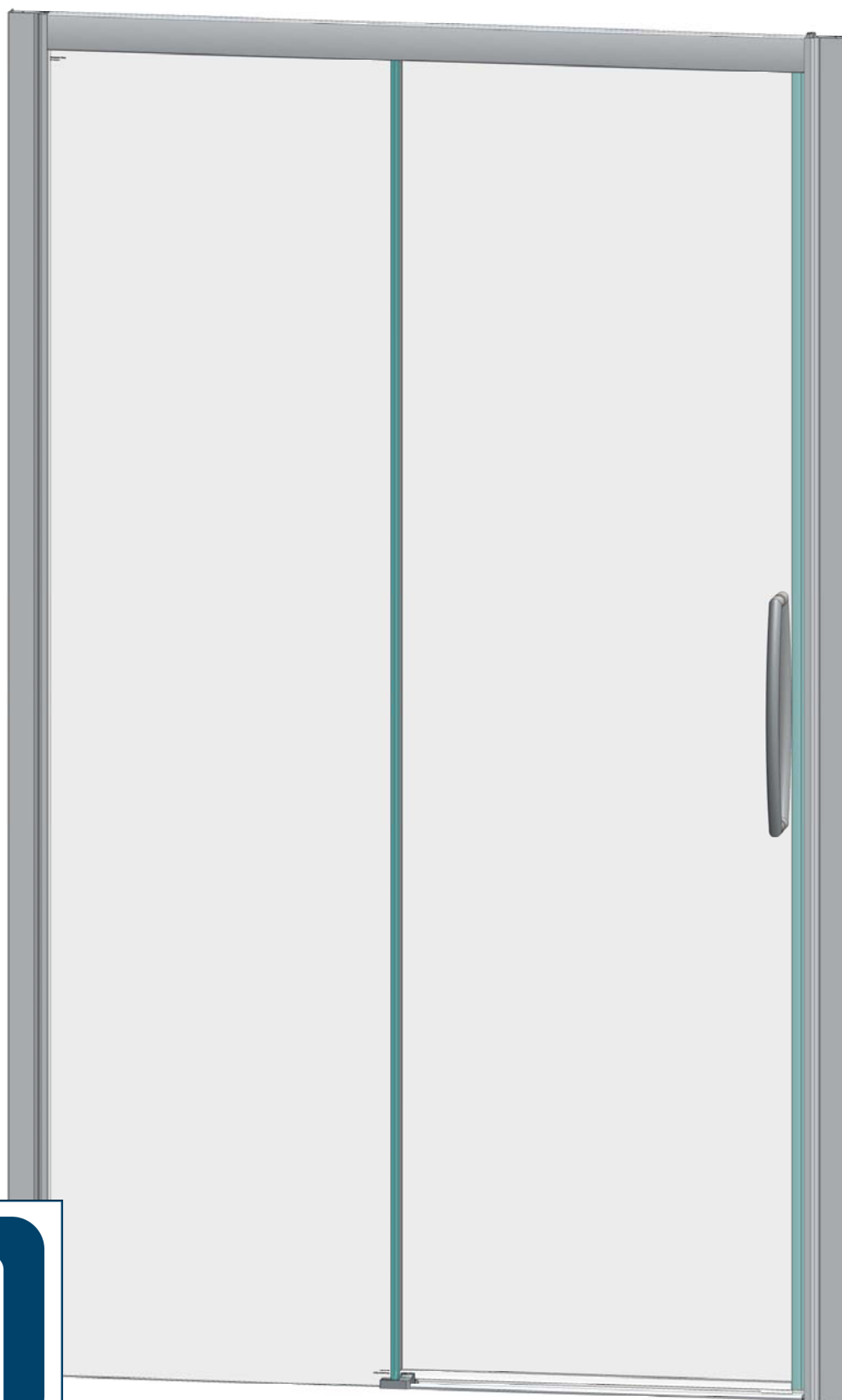


# Sliding Door (V3 ~ Bottom rail less). Installation / Maintenance Instructions

Rev 01.19



RH Door Shown

## **IMPORTANT NOTES :**

Please Read Carefully & retain these instructions for Future Reference.

1. For ease & safety we advise that two persons assemble this product.
2. Protect shower tray surfaces at all times.
3. Exposed glass corners / edges **MUST NOT** contact hard surfaces at any time.
4. Check for cables, pipes etc before drilling walls.
5. Ensure all surfaces are dry, clean & free of loose debris / dust.
6. Unpack goods with care (small parts can become lodged in packaging & inadvertently discarded). Check parts supplied against parts & fittings listed herein. Damaged parts / omissions may be resolved by calling Lakes Bathrooms Helpline.
7. Whilst precautions are taken in manufacture, care must be taken when handling as rail ends may have sharp edges.
8. Before commencing, check :
  - a) shower tray (or base) is level & completely sealed to finished / tiled walls.
  - b) finished walls are sound & free of cracks, loose tiles / grout.
8. **AFTER INSTALLATION, DO NOT 'WET' ENCLOSURE FOR 48 HOURS TO ENSURE FULL CURE OF SILICONE SEALANT.**

## **USE :**

### **General Care & Maintenance.**

Provided this product is installed & operated in accordance with these instructions, problems should not arise. However should maintenance be required it should be carried out by a competent person with reference to these instructions. Before any work is carried out the root cause of the problem must be identified. Lakes Bathrooms service engineers are available if necessary to consult / carry out remedial work. Call Lakes Bathrooms HELPLINE.

### **Cleaning.**

(Every one to two weeks depending on local water {hardness} conditions).

All glass panels in this product have a hydrophobic coating aiding 'runoff' of water droplets, reducing the need for frequent cleaning. For best appearance / product life however, regular cleaning is recommended.

Use **ONLY** mild soap / detergent solutions to clean. Rinse with water, squeegee glass panels & wipe frames dry with a soft cloth. Under no circumstances should abrasive, caustic or scouring products be used. Non compliance with these cleaning instructions may cause decorative finishes to deteriorate & could adversely affect safe operation of the enclosure.

### **Daily Care.**

To prevent the build up of limescale, do not allow water droplets to dry on glass or frames. After showering, rinse with water, remove droplets from glass with a squeegee & wipe frame with a soft cloth.

### **Customer Service.**

Quality Guarantee : Lakes Bathrooms Ltd guarantee Shower Doors & Enclosures against any manufacturing or material defects for the lifetime of the product. We will resolve defects free of charge by repairing / replacing parts as we feel necessary. To be 'free of charge' service work must be carried out by Lakes Bathrooms or approved agents.

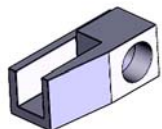
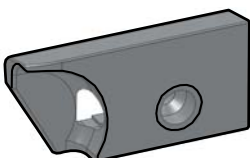
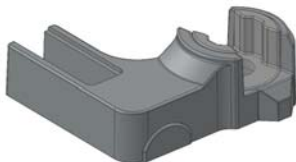
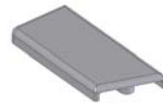
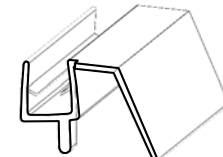
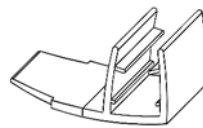
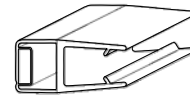
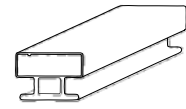
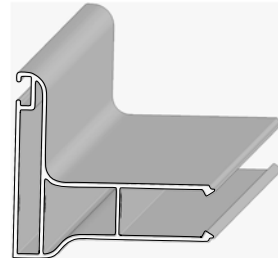
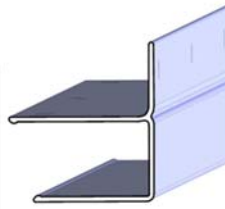
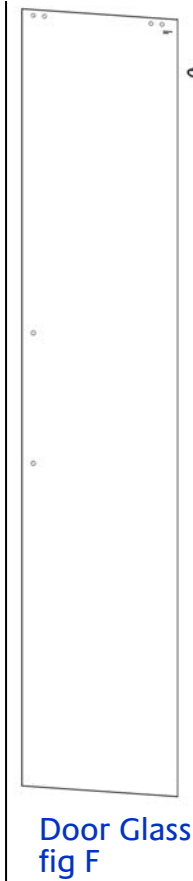
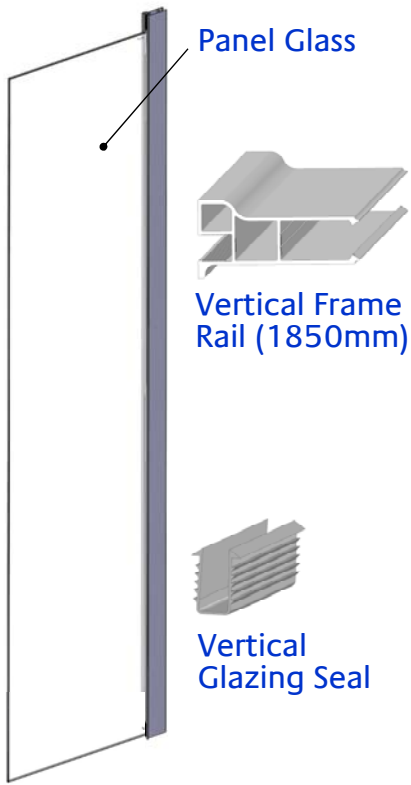
Seals are considered 'wear & tear' parts, as such they are guaranteed for 12 months from purchase. Not Covered by this Guarantee : Damage or defects that result from improper installation, improper use, or lack of maintenance (including limescale buildup). Damage or defects that result from repairs / modifications undertaken by unauthorized persons. This guarantee is in addition to statutory & other legal rights.

What to do if something goes wrong : Should the product not function correctly on initial use, firstly, contact the installer to check that unit installation & commissioning are in accordance with these instructions. Should this not resolve difficulties or should performance decline, consult 'Troubleshooting' section to see if simple home maintenance is needed. Alternatively our HELPLINE staff can assist, or if necessary arrange for a service engineer to visit.

Spares : We maintain extensive spare part stocks. Spares can be ordered / purchased from your retailer in the first instance. Parts will normally be dispatched within two working days from order placement.

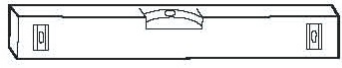
**SUPPLIED PARTS :**

Panel Glass Sub Assy 1x  
Fig B)

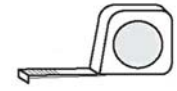


Size ref	Adjustment Range (Dim'n A)	Size ref	Adjustment Range (Dim'n A)
100cm	940 to 1000mm	143cm	1370 to 1430mm
110cm	1040 to 1100mm	166cm	1600 to 1660mm
120cm	1140 to 1200mm		
140cm	1340 to 1400mm		
150cm	1440 to 1500mm		
160cm	1540 to 1600mm		
170cm	1640 to 1700mm		
180cm	1740 to 1800mm		
200cm	1940 to 2000mm		

### Tools Required



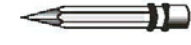
Spirit Level (with vertical 'bubble')



Tape Measure



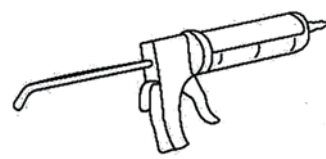
Power drill & 8mm masonry bit



Pencil



Pozi drive Screwdriver



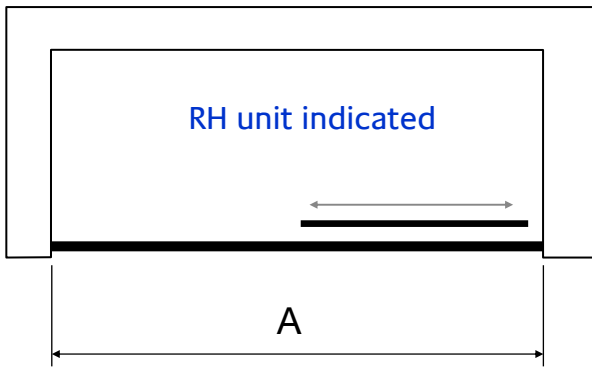
Good quality silicone sealant & applicator



2.5mm Hexagon (Allen) key

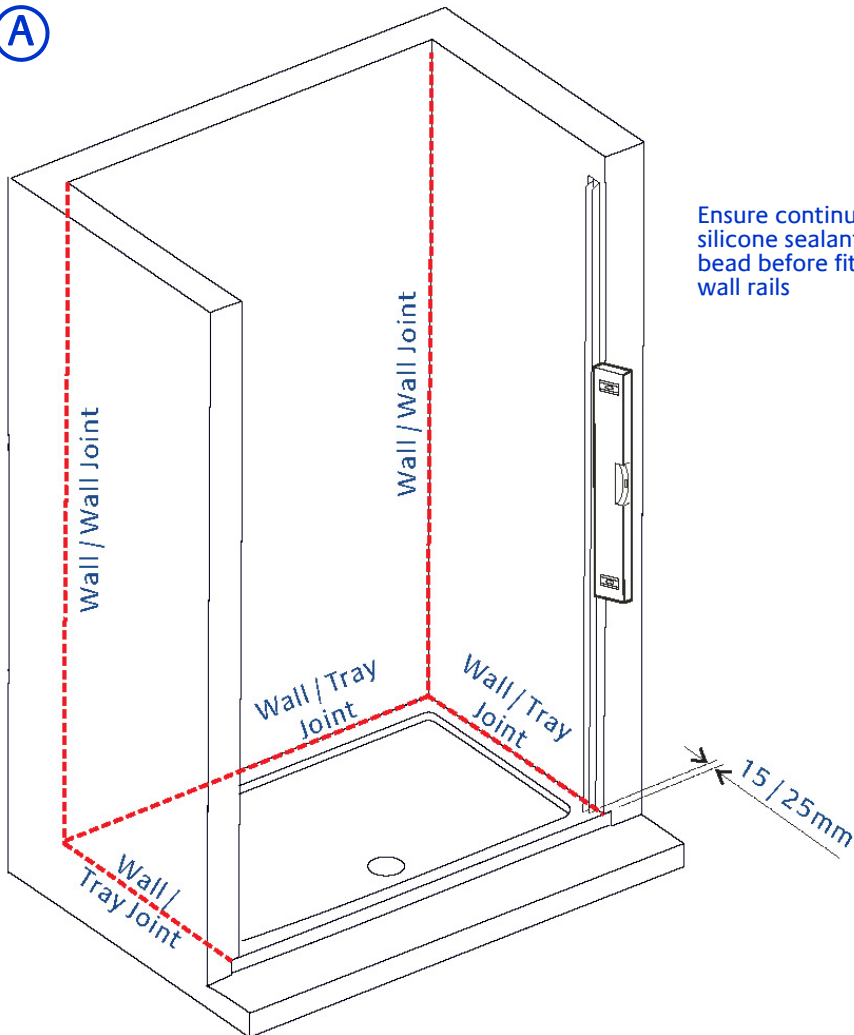


3mm HSS drill bit

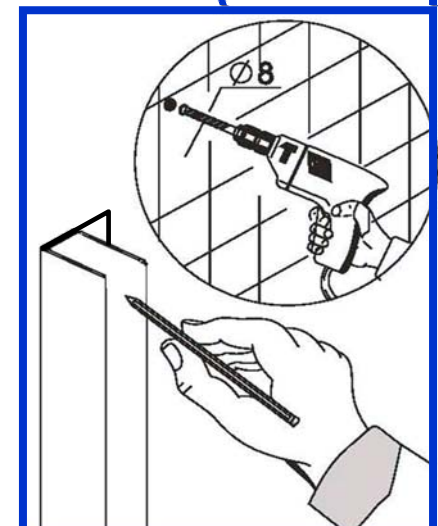
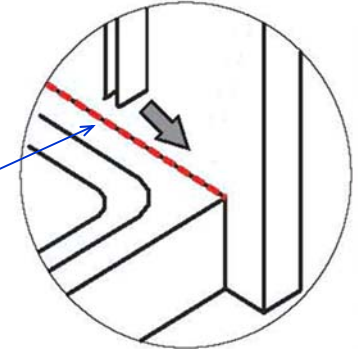


Ensure tray is correctly levelled & that tray / wall (tile) joints are sealed & cured over entire length of tray sides (See Fig A) prior to fitting enclosure.  
**DO NOT SEAL TRAY EDGES UPTO A FITTED ENCLOSURE !**

**A**



Ensure continuous silicone sealant bead before fitting wall rails

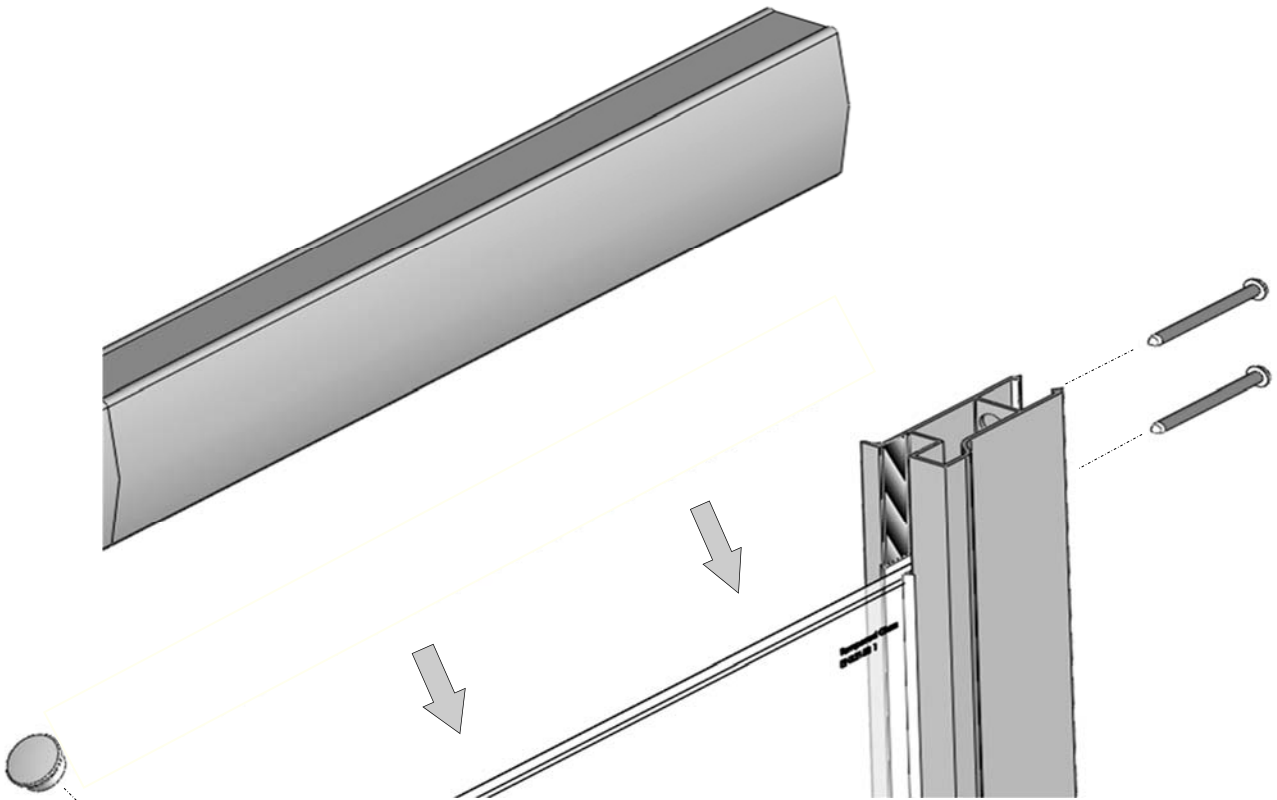


Measure & mark wall rail positions. Drill & plug walls.  
**FIT DOOR SIDE WALL RAIL ONLY AT THIS STAGE.**

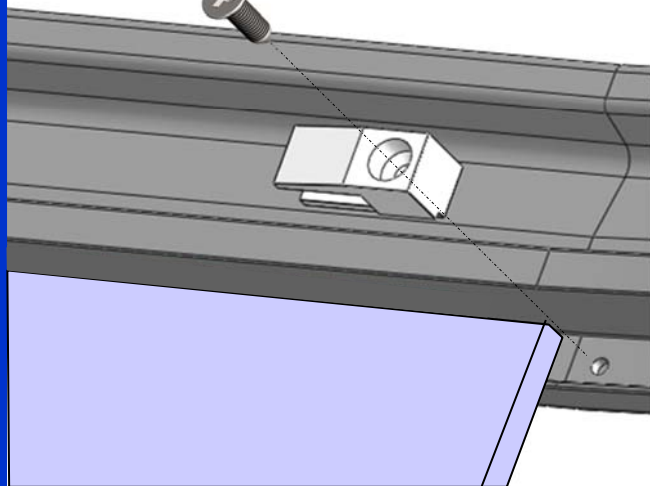
**MAIN FRAME SUB ASSEMBLY:**

**(B)**

1. Align horizontal rail & affix to panel vertical aluminium with 2x 3,5 x 40 long screws.

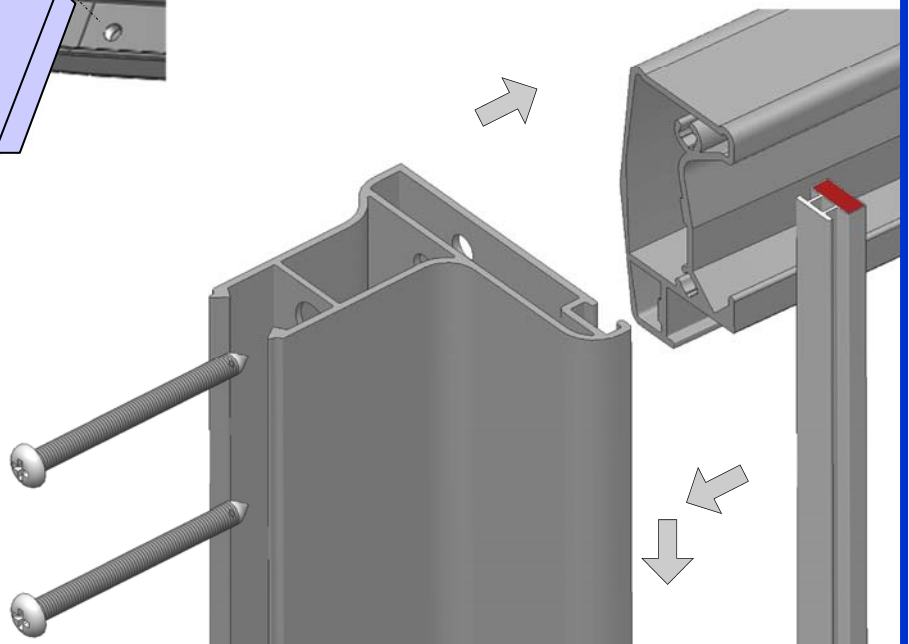


2. Align & fit glazing block with 3,5 x 12 long screw & fit decorative cover cap.



- 3.. Align horizontal rail & affix to door side vertical aluminium with 2x 3,5 x 40 long screws.

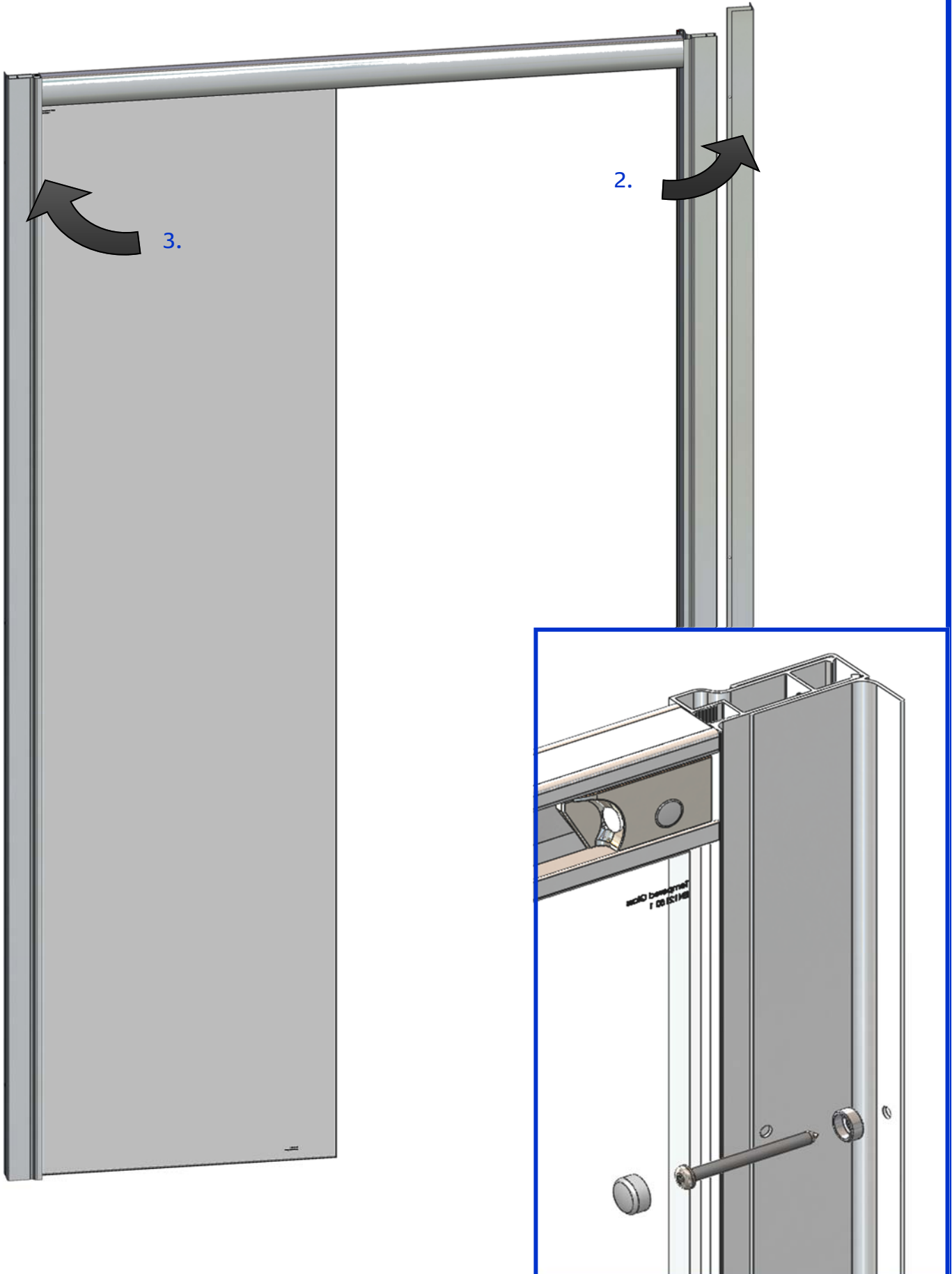
4. Locate & slide frame magnetic seal into frame vertical.



## MAIN FRAME SETUP :



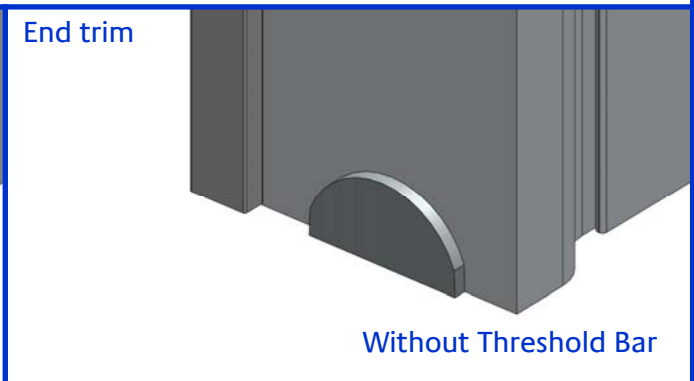
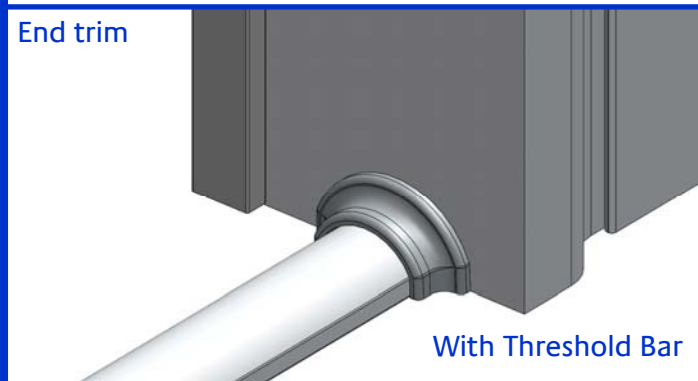
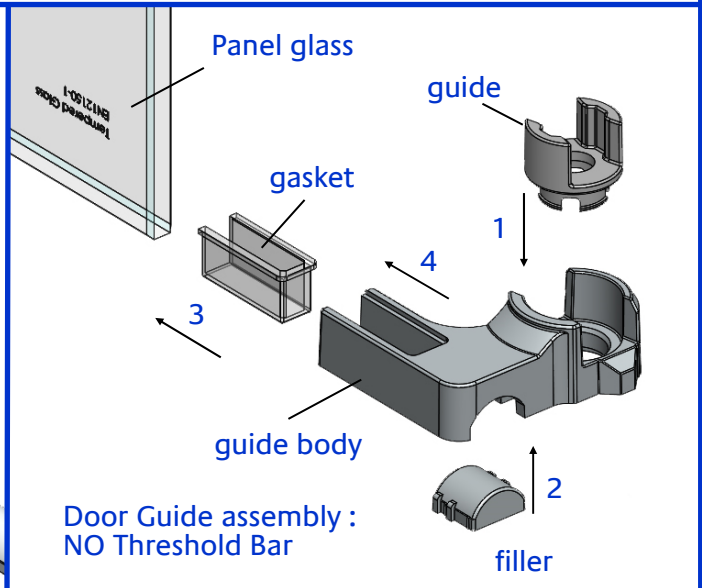
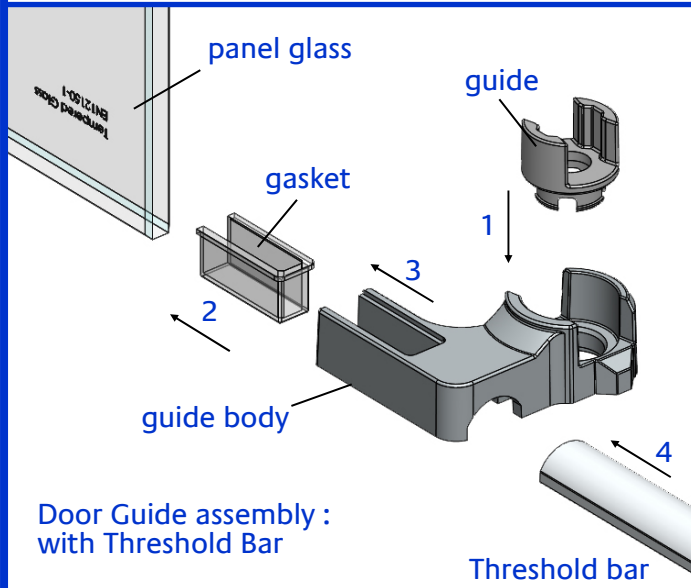
1. Fit panel side wall rail fully onto panel side of frame.
2. Keeping frame upright, carefully lift over tray & insert into fixed wall rail.
3. Push panel end back, align & fix wall rail to wall with 4 x 45 long screws & cup washers.



**MAIN FRAME SETUP continued :**

(D)

4. Unit is supplied with an optional threshold bar which aids, & is recommended to ensure watertightness. It is at the customer's discretion whether to fit or not, but may be added or removed after installation if required. Affix guide to fixed panel glass as shown below. Frame may be lifted in wall profiles to enable fitting.

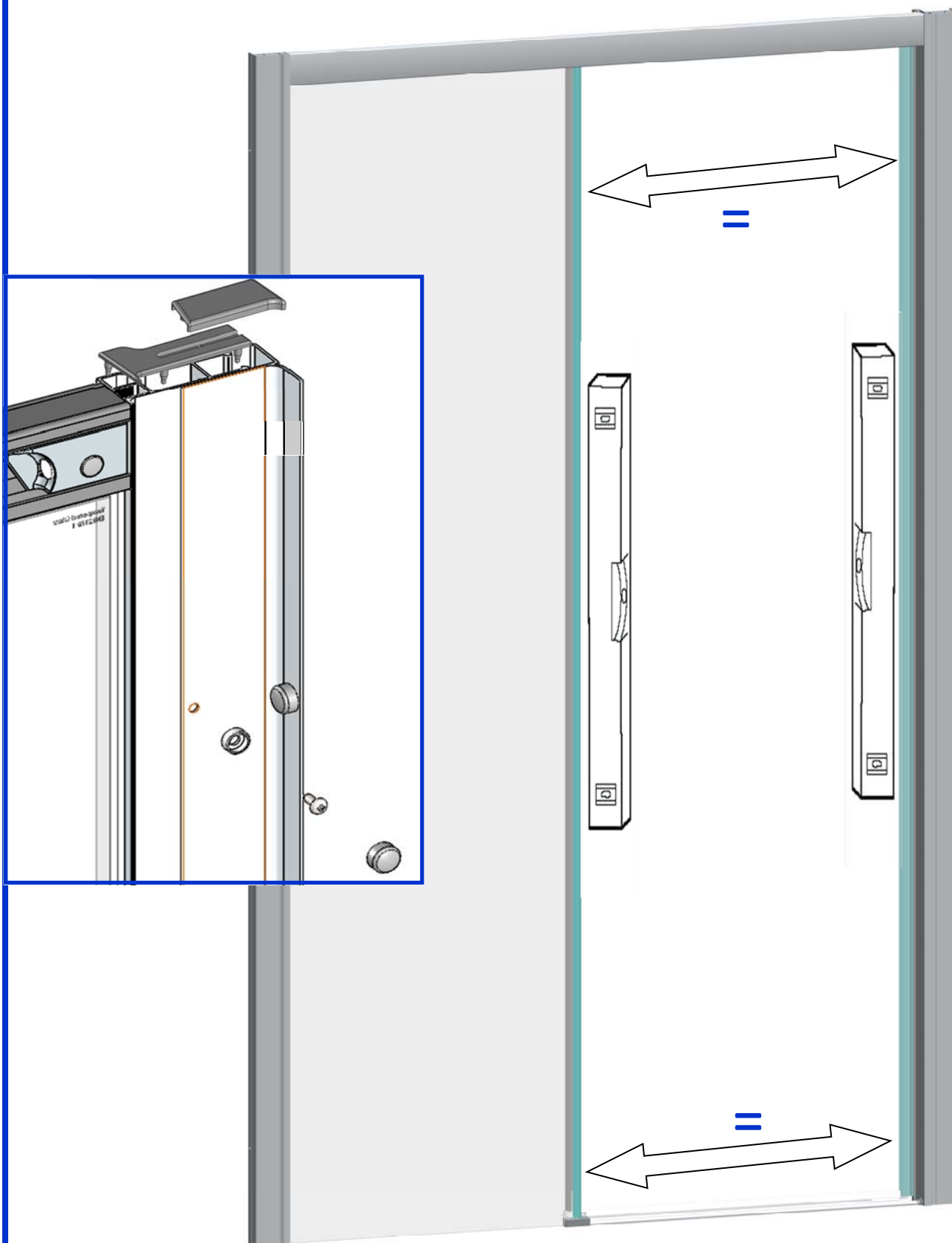


Reverse End Trim to suit desired threshold

MAIN FRAME SETUP continued :

(E)

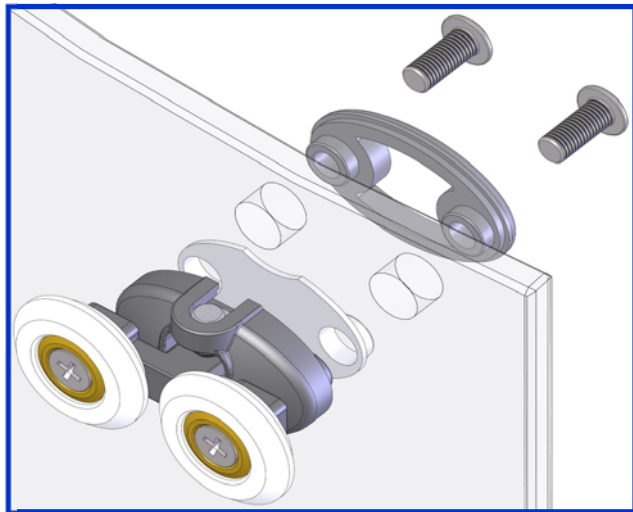
5. Manipulate frame within wall profiles until centred & ensure frame is completely plumb, & that doorway sides are parallel (equal width top & bottom).
6. From inside enclosure, using the wall profile holes as a guide, drill (3mm) & screw frame to wall profiles using 3,5 x 10mm screws & cup washers.
7. Fit all decorative screw caps & wall / vertical aluminium top caps.



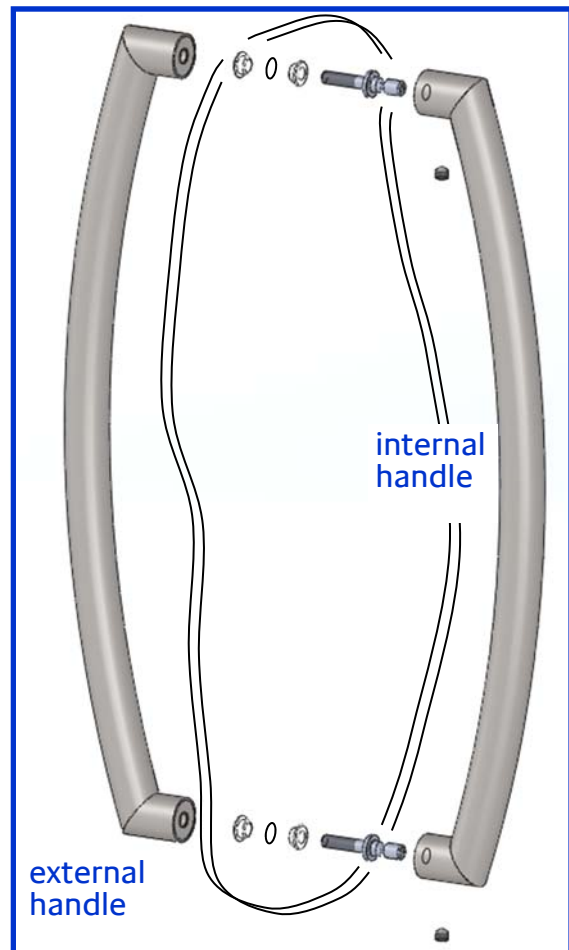


**DOOR ASSEMBLIES : Right hand door build shown ('mirror' for Left hand door).**

**F**

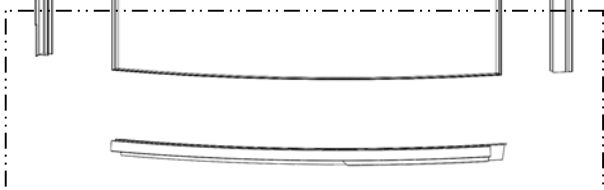


Loosely fit top wheels at this stage (adjusting screw head to underside). Ensure screws are engaged in body, but do not tighten fully & do not fit cover at this stage.



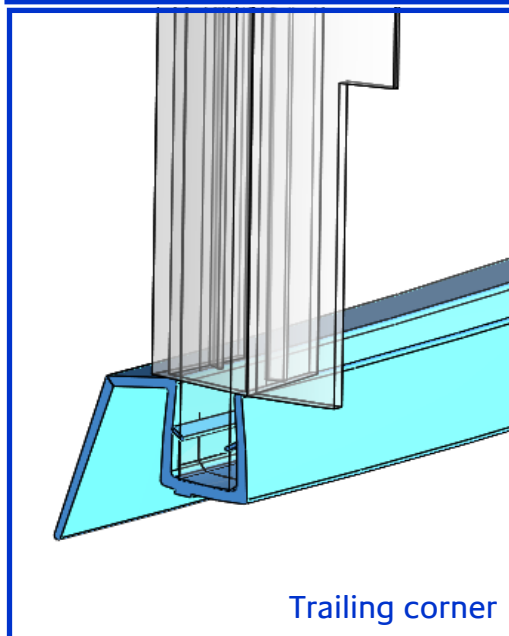
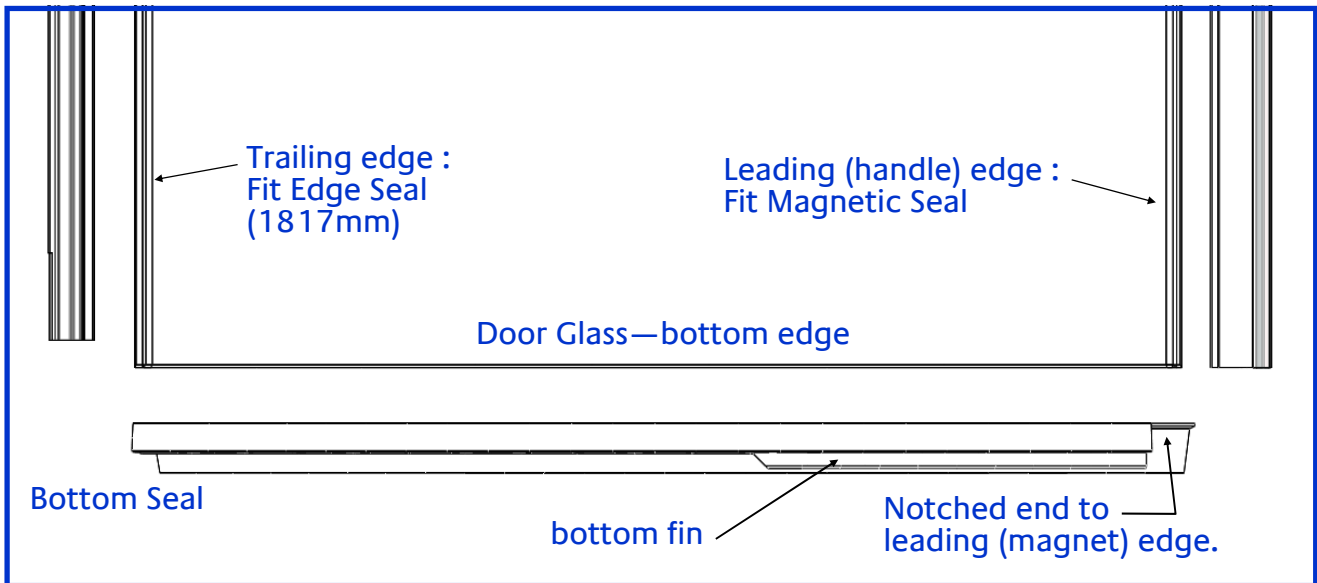
Pass threaded end of pins through washer / glass / washer, then screw into external handle with 2,5mm hexagon wrench (Allen Key). Offer internal handle onto visible internal pin spigots, squeeze handle to glass & tighten grub screws to secure.

See following page  
for seal fit  
instructions

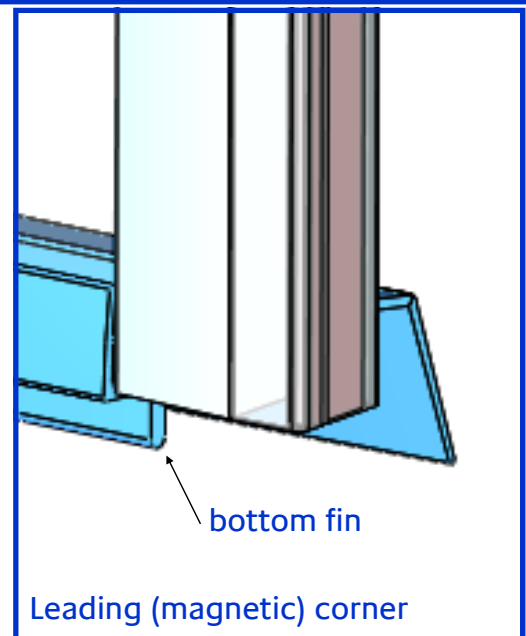


## DOOR SEALS & DOOR HANGING :

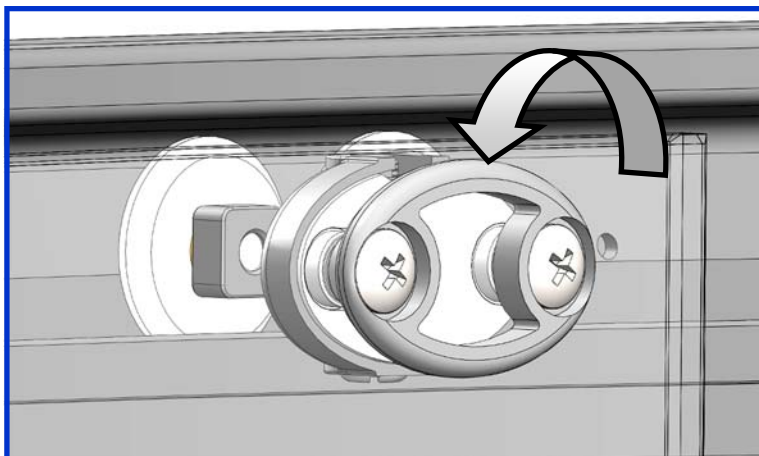
G



LEFT hand door  
viewed from  
FRONT



Align door edge seals with top of glass & push fully onto door glass as shown.  
Check magnetic seal orientation before fitting (aligned & attracting each other).  
Select appropriate bottom seal & push fully onto base (ensure soft 'drip' fin to inside of curve).  
Seals may be 'wetted' to ease assembly.

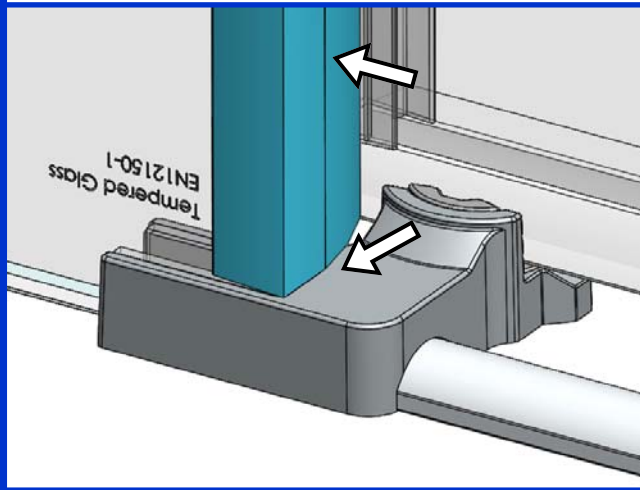


### HANG DOORS :

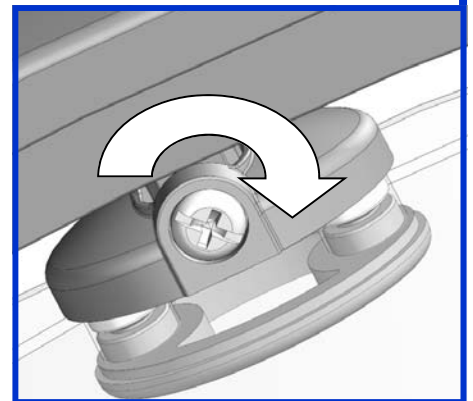
With wheel body loose on glass (screws engaged but not tightened) lift door & engage wheels in top rail, immediately tighten clamping screws.  
Carefully engage base of door into respective door guide.

## DOOR ADJUSTMENT / PANEL EDGE SEAL :

(H)



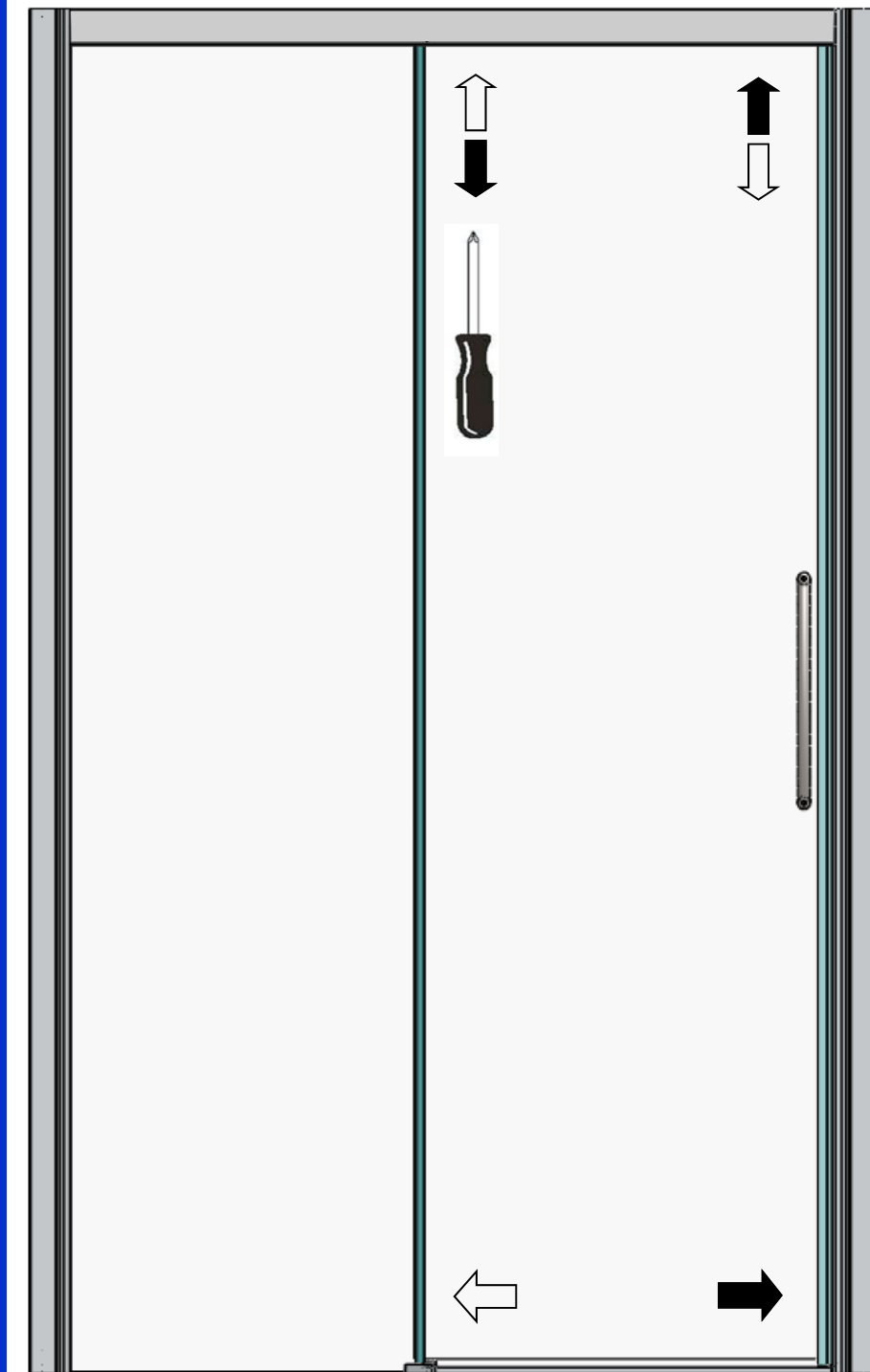
Stand edge seal on guide, then working from bottom to top, push edge seal fully onto fixed glass panel.



Adjust door height so that bottom of door is just clears base of guide & door runs smoothly. Adjust door angle so that magnetic seals hold door closed with no gaps. Turn adjusting screw clockwise to raise door.

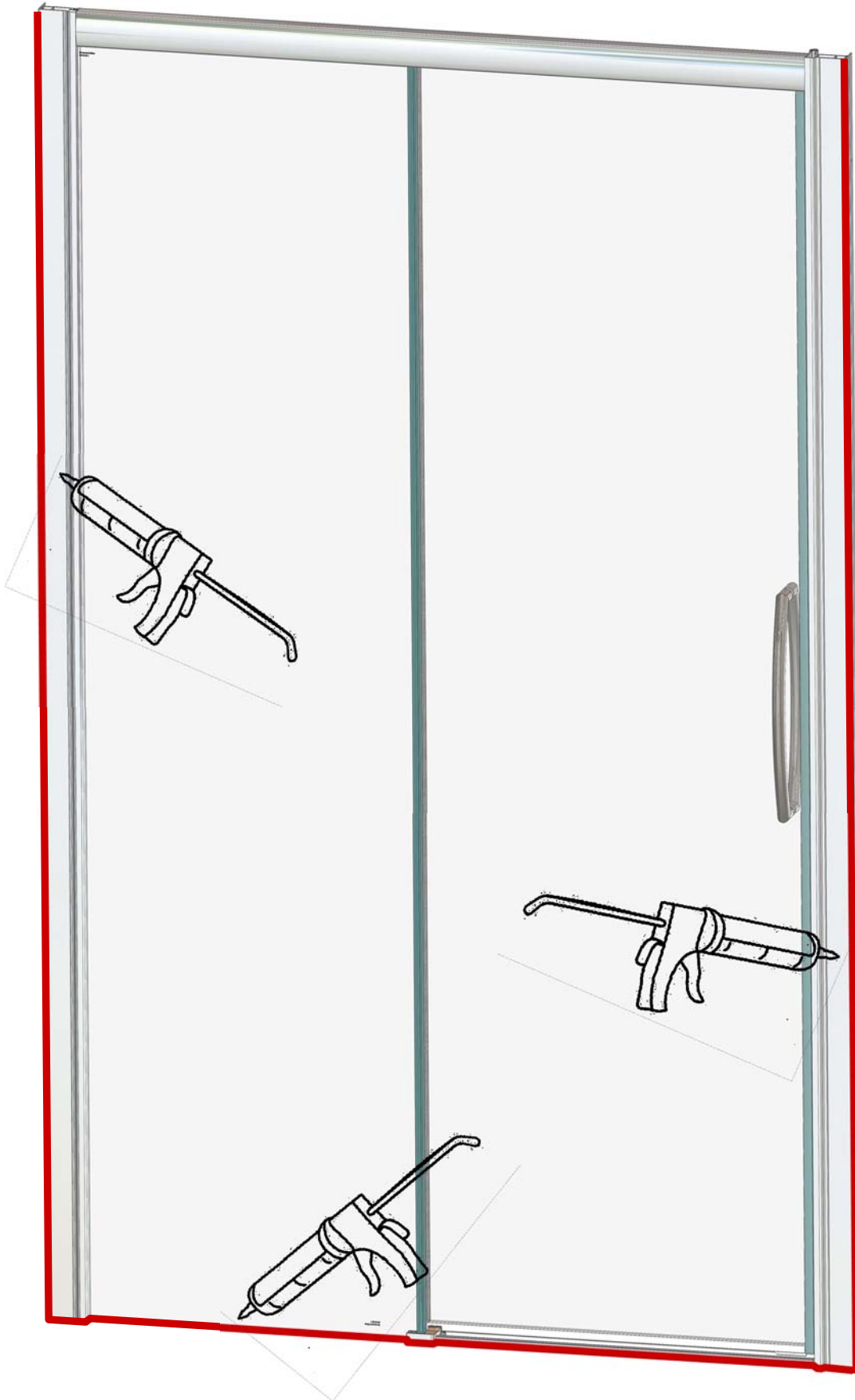


After adjusting, check that clamp screws are tight & fit covers to top wheels



SEALING :

J



Use of good quality silicone sealant & cleaning / degreasing of all joint areas is recommended.  
Apply continuous silicone sealant bead as indicated EXTERNALLY ONLY

## **BASIC TROUBLESHOOTING :**

Door magnetic seals not meeting precisely / not holding :

Ensure magnetic seals are pushed fully onto door edge over entire door length.

Check door alignments & adjust if necessary (see fig H).

Check Magnetic Seal orientations (reverse if necessary).

Door motion noisy / Door not running smoothly :

Check for edge seals dragging on glass (can cause 'clicking' noise).

Check top wheels engaged properly in rails & roll smoothly along rails.

Wheels & Grooves are factory greased, however over time this may disperse or become contaminated by dust etc, cleaning of grooves & re application of sanitary silicone based grease will restore & ensure smooth door motion.

Leakage :

The sealing method described in these instructions relies on a continuous seal being applied between shower walls & tray before installing the enclosure (see fig A), it ensures a watertight seal around the perimeter of the enclosure to the shower walls & tray.

In the unlikely event of an enclosure leak, water will be visible on the outside of the enclosure itself, or around the perimeter silicone seal ONLY. Water / moisture appearing outside this area (ie at floor level) is normally due to incorrect tray installation.



### **Lakes Bathrooms Ltd**

Alexandra Way  
Ashchurch  
Tewkesbury  
Gloucestershire GL20 8NB

Service England, Scotland, Wales

8.30am—5pm Mon ~ Thurs

8.30am—4.30pm Fri

Tel / HELPLINE : 01684 853870

Fax : 01684 857411

[www.lakesbathrooms.co.uk](http://www.lakesbathrooms.co.uk)

Email : [admin@lakesbathrooms.co.uk](mailto:admin@lakesbathrooms.co.uk)

Service : Northern Ireland

Ian A Kernohan

Firtrees

Green Way Industrial Estate

Conlig

Northern Ireland

BT23 7SU

8.30am—5pm Mon ~ Thurs

8.30am—4.30pm Fri

Tel : 02891 270233

Fax : 02891 270597

Email : [info@iakonline.com](mailto:info@iakonline.com)