

Island Sliding Door & Side Panel Installation & Maintenance Instructions



LAKES
SHOWERING SPACES



IMPORTANT NOTES :

Please read carefully & retain these instructions for future reference.

1. For ease & safety we advise that two persons assemble this product.
2. Protect shower tray surface at all times.
3. Exposed glass corners/edges MUST NOT contact hard surfaces at any time.
4. Check for cables, pipes etc. before drilling walls.
5. Ensure all surfaces are dry, clean & free from loose debris or dust.
6. Unpack goods with care (small parts can become lodged in packaging and inadvertently discarded)
Check parts supplied against parts and fittings listed herein.
Damaged parts / omissions may be resolved by calling Lakes helpline.
7. Whilst precautions are taken in manufacture, care must be taken when handling as rail ends may have sharp edges.
8. Before commencing, check that :
 - a) shower tray (if used) is level & completely sealed to finished / tiled walls.
 - b) finished walls are sound and free of cracks, loose tiles / grout.
9. AFTER INSTALLATION DO NOT WET ENCLOSURE FOR 48 HOURS TO ENSURE FULL CURE OF SILICONE SEALANT.

Use :

General Care & Maintenance.

Provided this product is installed and operated in accordance with these instructions problems should not arise however should maintenance be required it should be carried out by a competent person with reference to these instructions. Before any work is carried out, the root cause of the problem must be identified. Lakes service engineers are available if necessary to consult / carry out remedial work. Call Lakes helpline.

Cleaning. (Every one to two weeks depending on local water (hardness) conditions)

All glass panels in this product have a hydrophobic coating which aids "runoff" of water droplets, reducing the need for frequent cleaning however for best appearance & product life regular cleaning is recommended.

Use ONLY mild soap / detergent solutions to clean, rinse with water, squeegee glass panels and wipe frames dry with a soft cloth. Under no circumstances should abrasive, caustic or scouring products be used. Non-compliance with these cleaning instructions may cause decorative finishes to deteriorate & could adversely affect safe operation of the enclosure.

Daily Care.

To prevent the build up of limescale, do not allow water droplets to dry on glass or frames. After showering, rinse with water, remove droplets of water from glass with a squeegee & wipe frame with a soft cloth.

Customer Service.

Quality guarantee : Lakes Bathrooms Ltd. guarantee shower doors and enclosures against any manufacturing or material defects for the lifetime of the product. We will resolve defects free of charge by repairing / replacing parts as we feel necessary. To be free of charge, service work must be carried out by Lakes Bathrooms or approved agents. Seals are considered "wear & tear" parts and as such are guaranteed for 12 months from purchase.

Not covered by this guarantee : Damage or defects that result from improper installation, improper use or lack of maintenance (including limescale buildup). Damage or defects that result from repairs / modifications undertaken by unauthorised persons. This guarantee is in addition to statutory and other legal rights.

What to do if anything goes wrong : Should the product not function correctly on initial use, firstly contact the installer to check that unit installation & commissioning are in accordance with these instructions. Should this not resolve difficulties or should performance decline, consult 'Troubleshooting' section of these instructions to see if simple home maintenance is needed. Alternatively our helpline staff can assist or arrange for a service engineer to visit if necessary.

Spares : We maintain an extensive spare parts stocks. spares can be ordered / purchased from your retailer in the first instance. Parts will normally be despatched within two working days from placement of order.

Parts List :-



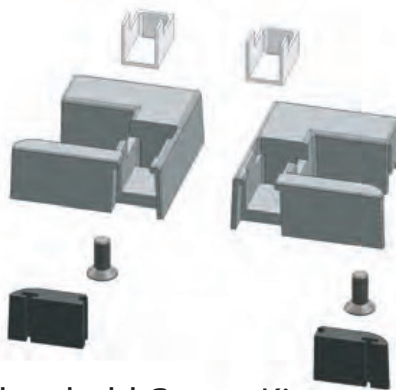
Island Sliding Door
(Seperate Boxed Product)



Side Panel &
Trim Assembly



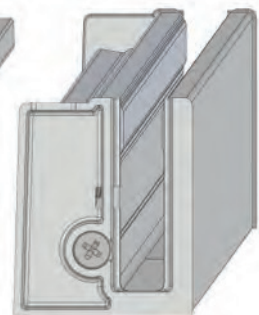
Magnetic Seal Kit



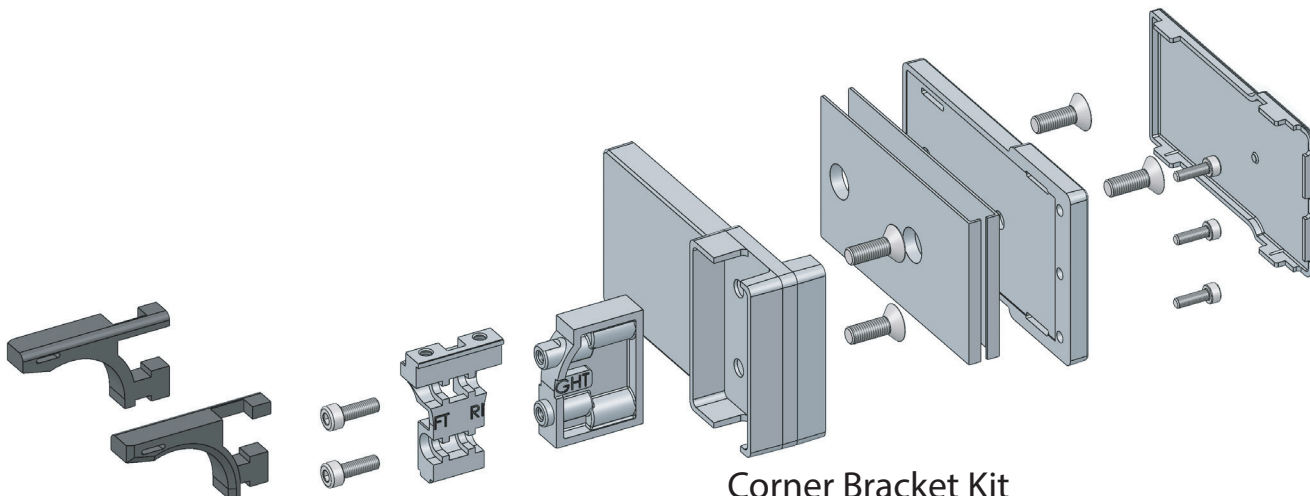
Threshold Corner Kit



Wall Profile
Cover

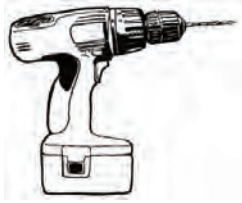


Wall Profile
Assembly



Corner Bracket Kit

Tools Required :-



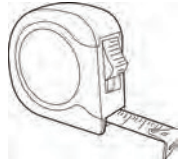
Power drill & 8mm masonry or tile bit



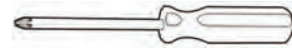
Pencil



Spirit level with vertical bubble



Tape measure



Pozidriv screwdriver



Good quality silicone sealant and applicator

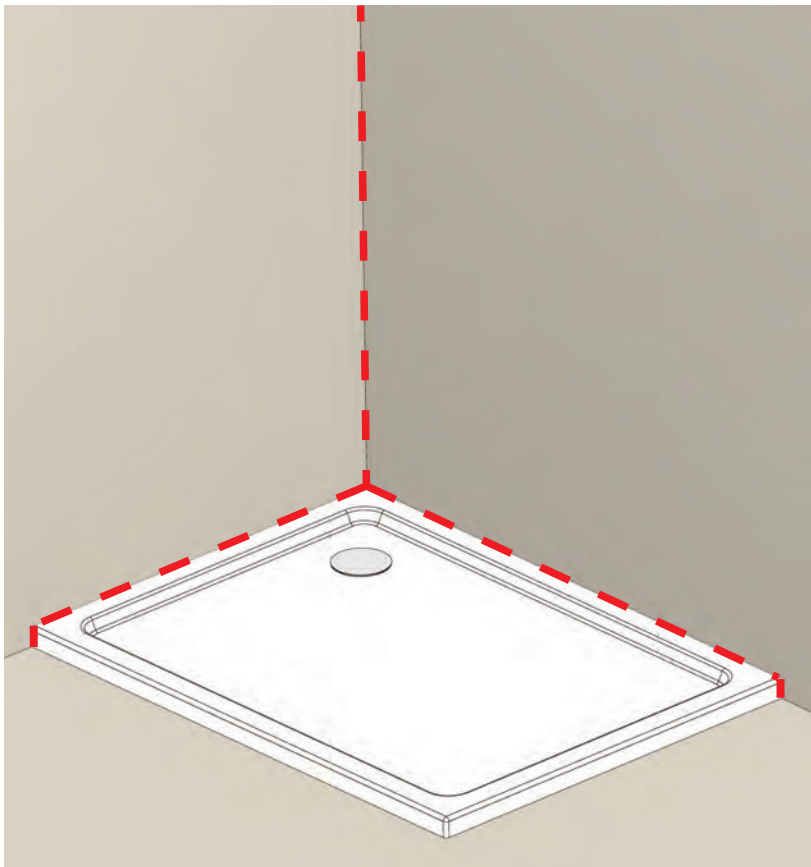


Hacksaw



Allen keys (2.5, 3, & 5mm)

Setting Out :-

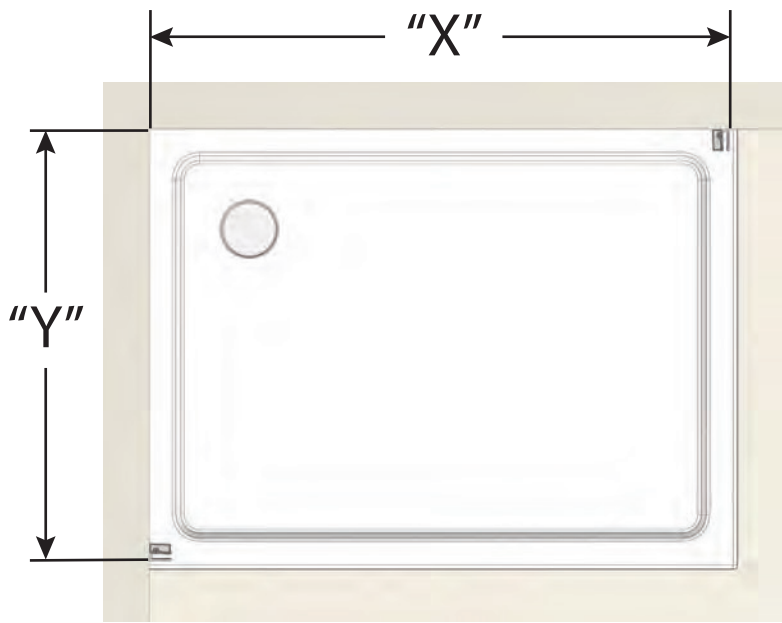


Door Size	Adjustment (mm)
1000	970 - 995
1100	1070 - 1095
1200	1170 - 1195
1300	1270 - 1295
1400	1370 - 1395
1500	1470 - 1495
1600	1570 - 1575
1700	1670 - 1695
1800	1770 - 1795
1900	1870 - 1895
2000	1970 - 1995

Side Panel Size	Adjustment (mm)
700	675 - 695
750	725 - 745
800	775 - 795
900	875 - 895
1000	975 - 995

Ensure tray is completely level and all tray / wall edges are completely sealed prior to installation.

DO NOT BEGIN INSTALLATION ON A TRAY WHICH HAS NOT BEEN FULLY SEALED.



Door Size	Position "X"
1000	982
1100	1082
1200	1182
1300	1282
1400	1382
1500	1482
1600	1582
1700	1682
1800	1782
1900	1882
2000	1982

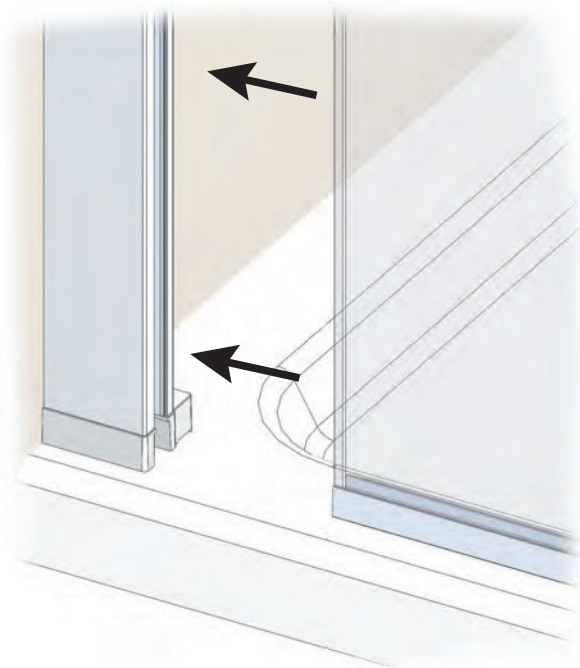
Panel Size	Position "Y"
700	680
750	730
800	780
900	880
1000	980

To find outside of wall profile positions, measure & mark "X" & "Y" for selected enclosure size.

Using position "X", offer wall profile up to wall and ensuring the profile is completely plumb, mark centre of slots in wall profile.

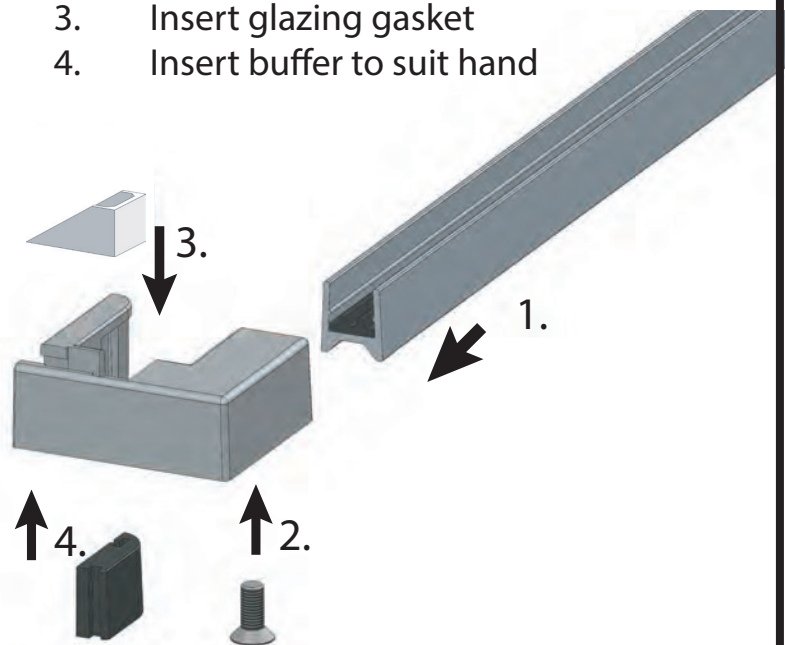
Drill marked positions with 8mm bit and fit wall plugs then repeat process for side panel profile.

Fix using M4 x 40mm screws and washers
Repeat for side panel profile (Y)



Assemble threshold to suit handing.

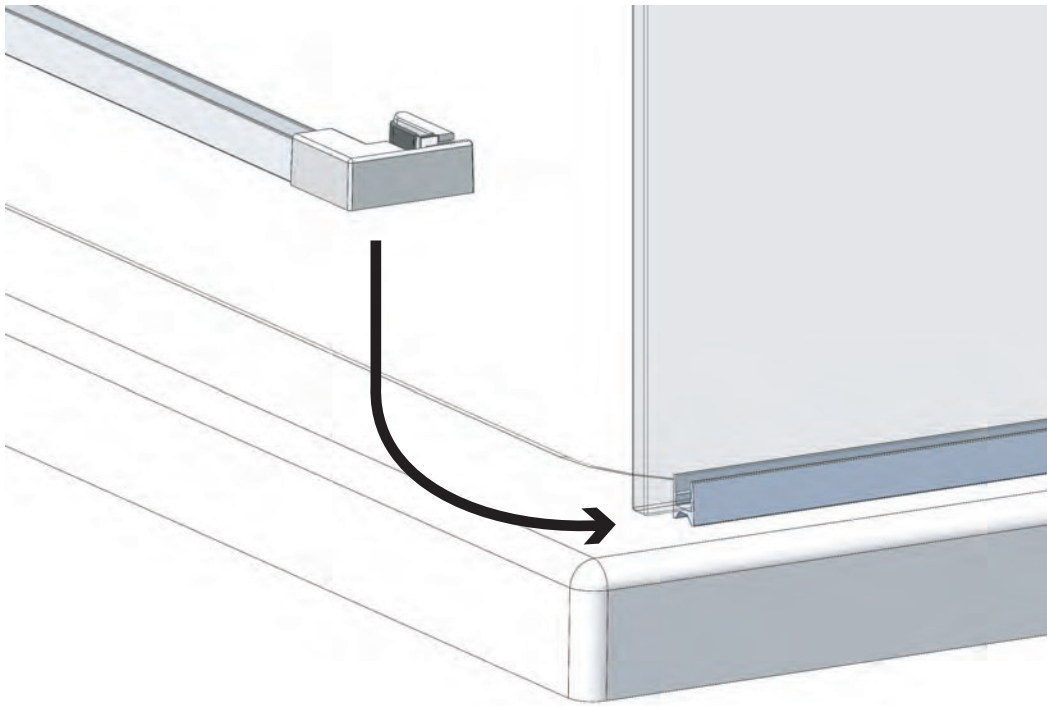
1. Insert threshold bar assembly into end of corner joining trim.
2. Fix with M4 x 10mm screw
3. Insert glazing gasket
4. Insert buffer to suit hand



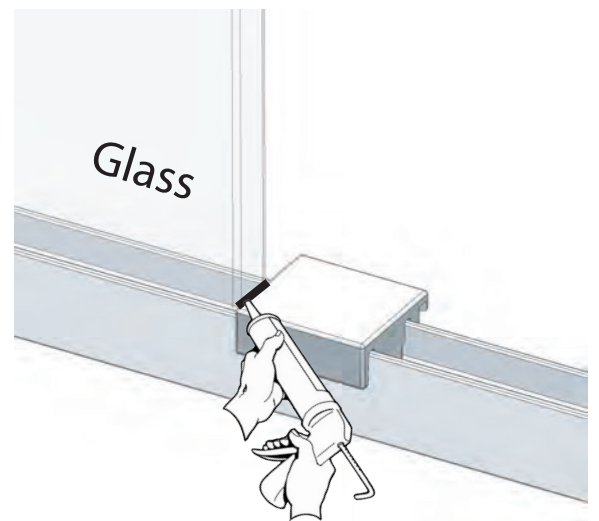
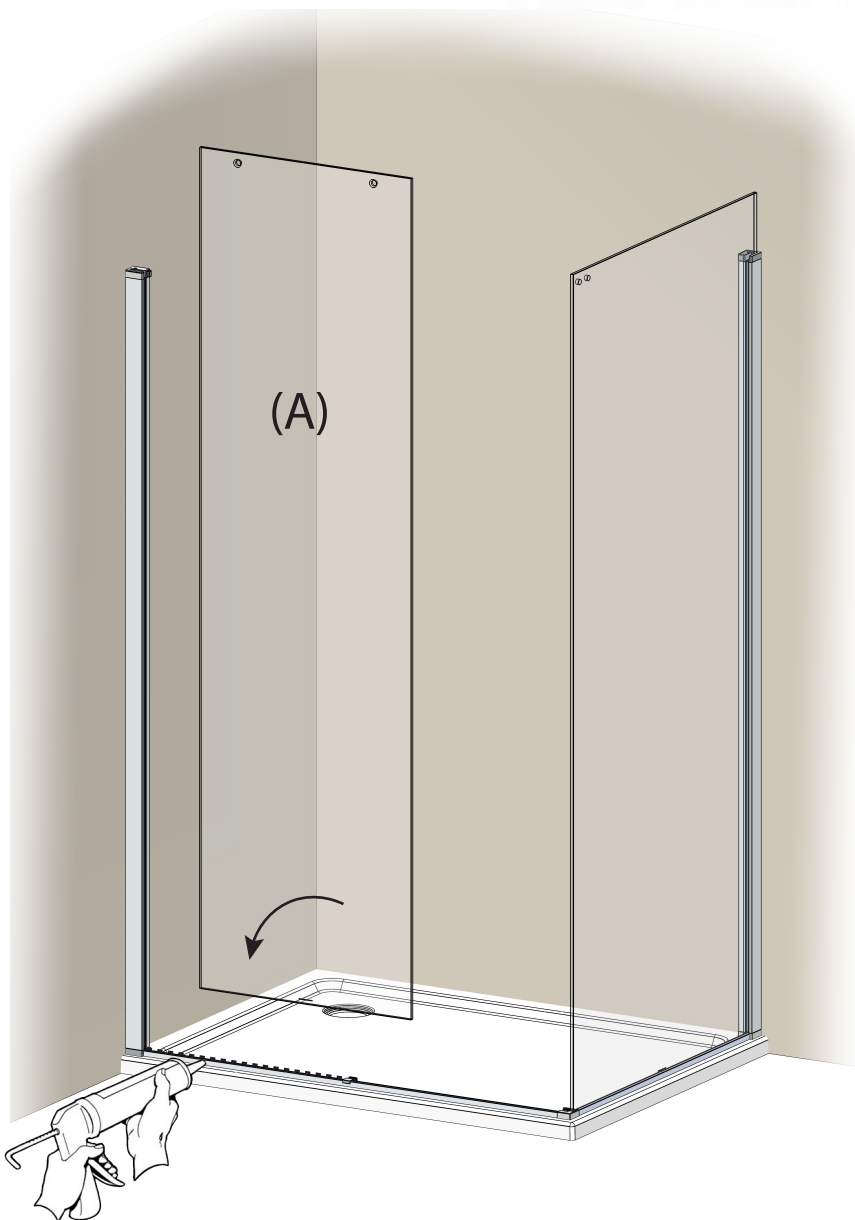
Push fixed panel glass & trim assembly into wall profile, repeat with side panel. Holes in glass of side panel must be to front of enclosure.

Lower threshold assembly onto tray and slide end trim under the side panel glass.

Ensure threshold is parallel to front of tray and distance from front is equal along it's complete length (10mm Min.)



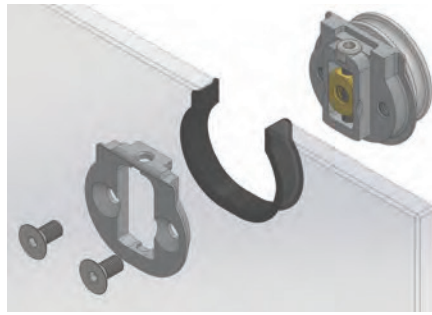
Apply a continuous bead of silicone along the complete length of the channel on the fixed panel side of the threshold trim then with the countersinks to front, lower glass (A) into channel of threshold trim. The bottom corner of the glass should be adjacent to the guide block as shown. apply a small bead of silicone to the glass / guide block joint.



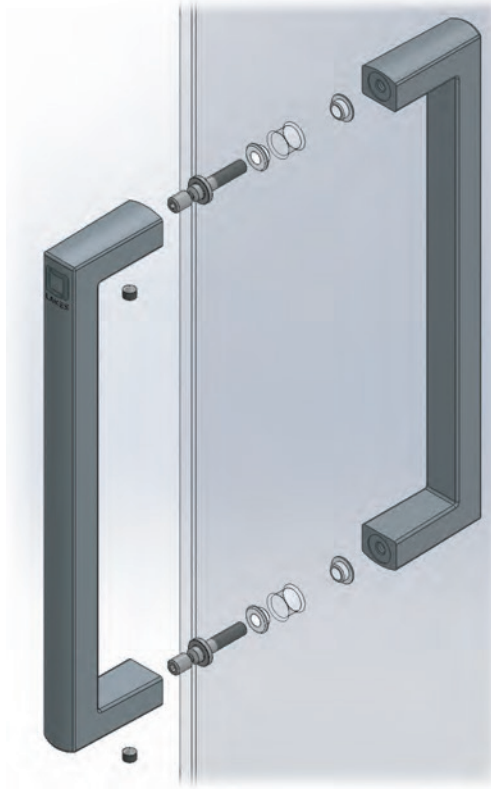
Assemble door to suit desired hand.



Door assembly for LEFT HAND enclosure.



Wheel assembly

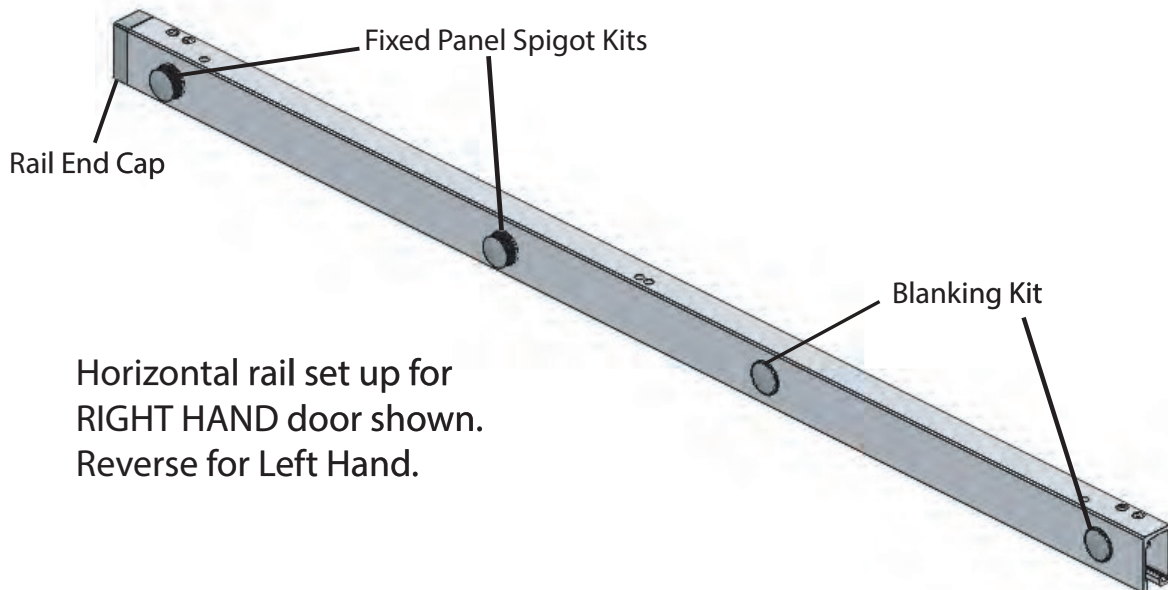


Handle assembly



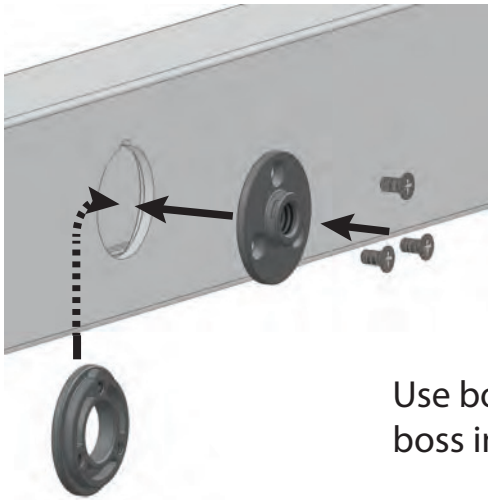
Door assembly for RIGHT HAND enclosure.

Assemble horizontal rail to suit desired hand.

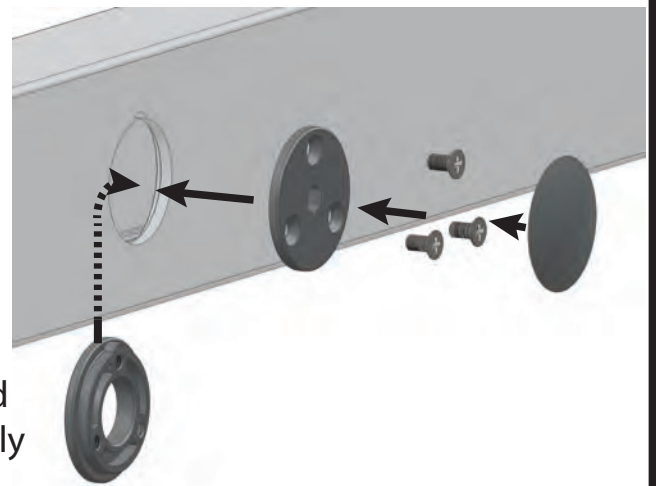


Horizontal rail set up for RIGHT HAND door shown.
Reverse for Left Hand.

Assembly for fixed panel spigot.

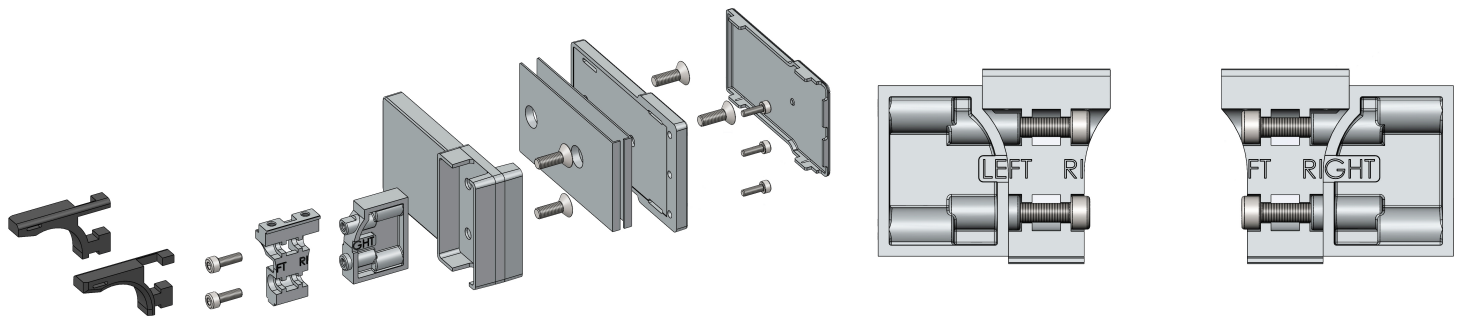


Assembly for blanking kit.

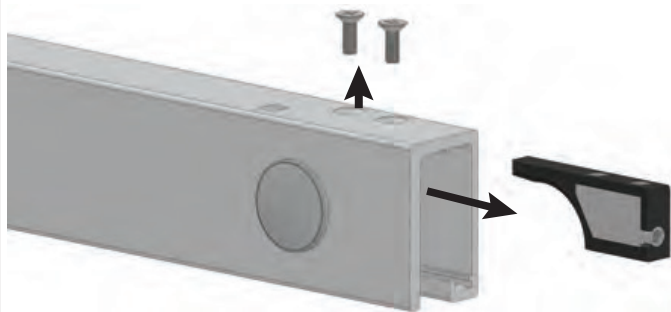


Use boss fitment tool to hold boss in place during assembly

Part assemble corner bracket as shown below to suit desired handing of enclosure.



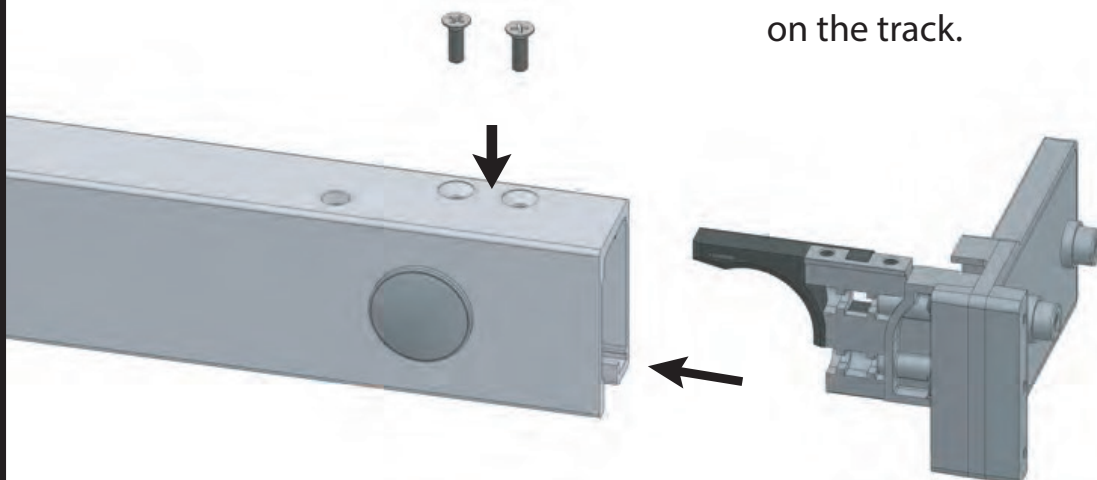
Assembly shown suits RIGHT HAND side panel. Reverse and use opposite doorstop buffer for left hand. Assemble doorstop brackets to show either 'LEFT' or 'RIGHT', 'LEFT' is for side panel to the left, 'RIGHT' is for side panel to the right.



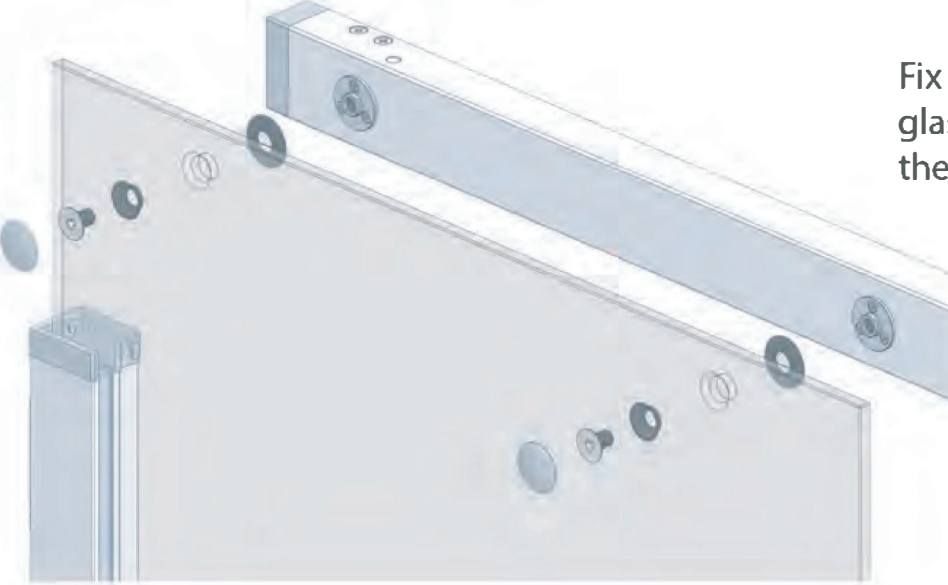
Remove 2x screws from top of open end of horizontal rail and take out doorstop.



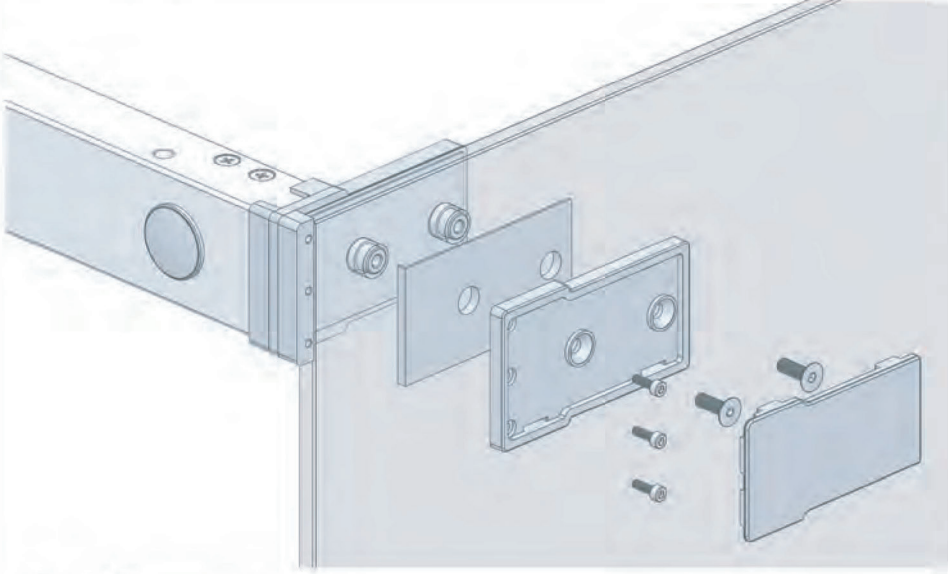
Slide horizontal rail onto assembled door. Ensure wheels are running on the track.



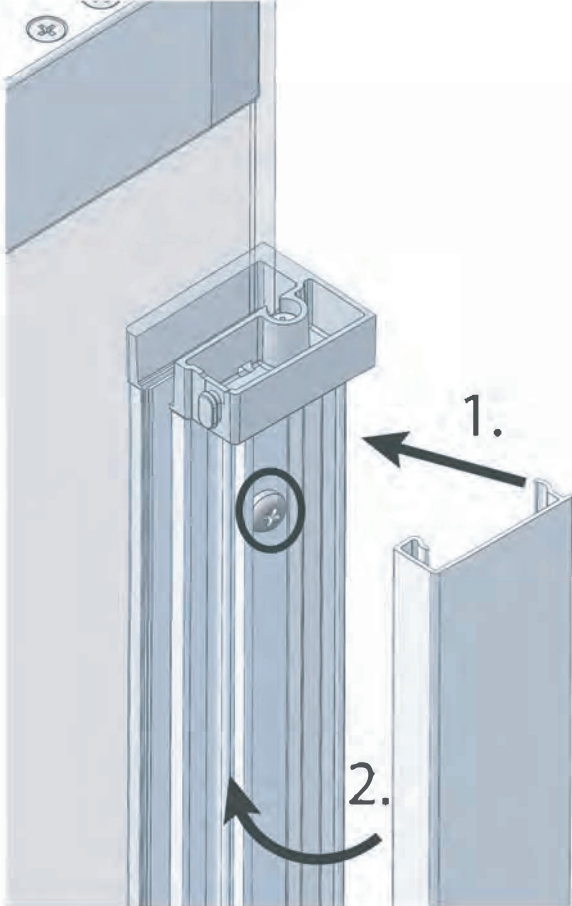
Fix bracket to rail using screws removed when taking out doorstop.



Fix rail assembly to fixed panel glass using remaining parts of the spigot kits.



Fix rail assembly to side panel glass using the remaining parts of the corner bracket.



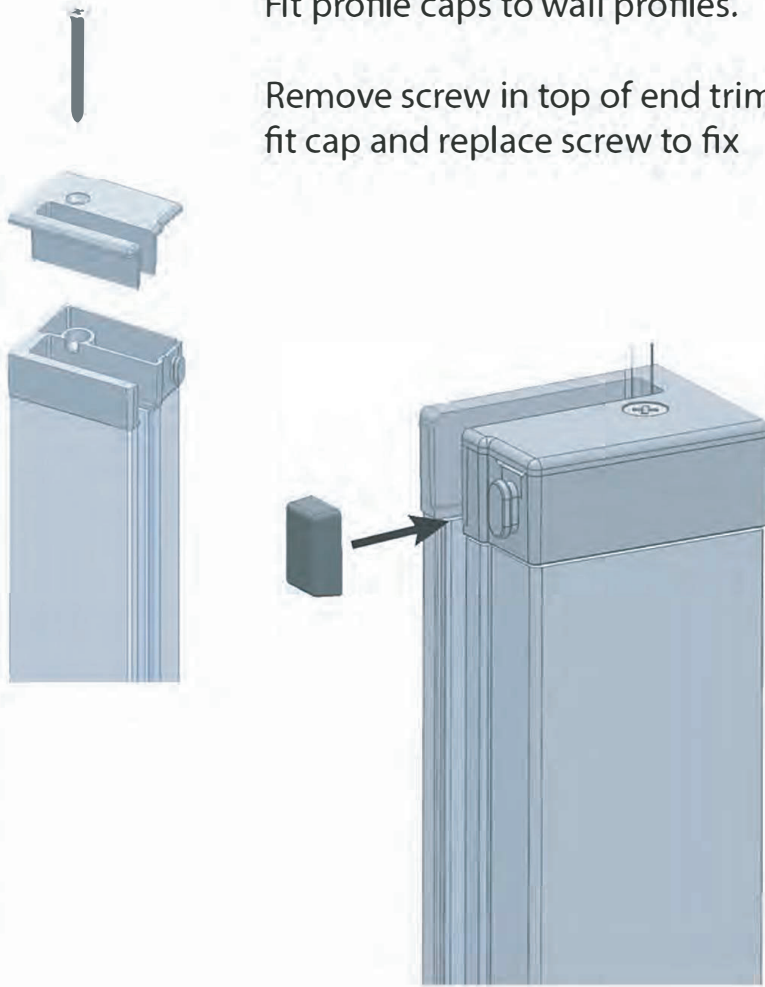
Ensure the horizontal rail is level then tighten the clamping screws on the wall profiles. There are 6 clamping screws per wall profile and all must be tightened to prevent glass movement in operation.

Push fit profile cover strip onto wall profile.

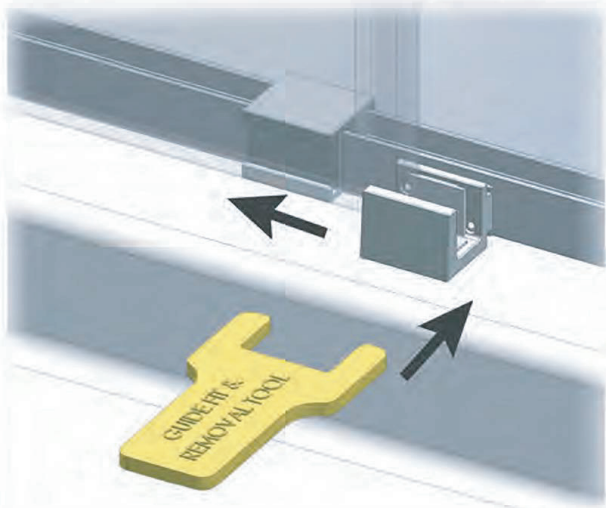
1. Engage side of cover closest to wall
2. Push front of cover into place

Fit profile caps to wall profiles.

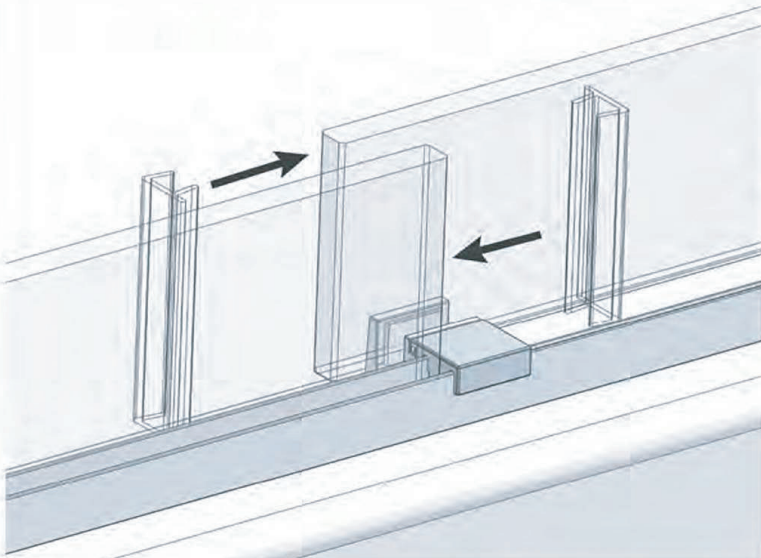
Remove screw in top of end trim, fit cap and replace screw to fix



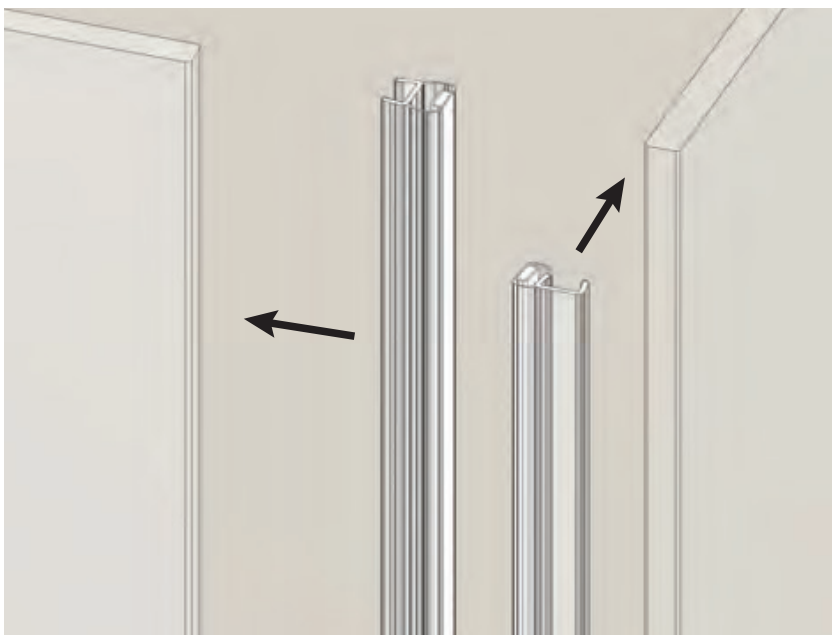
Push buffers onto fixed panel wall profile in 2 places. Select largest buffer into which door does NOT run when opened or closed.



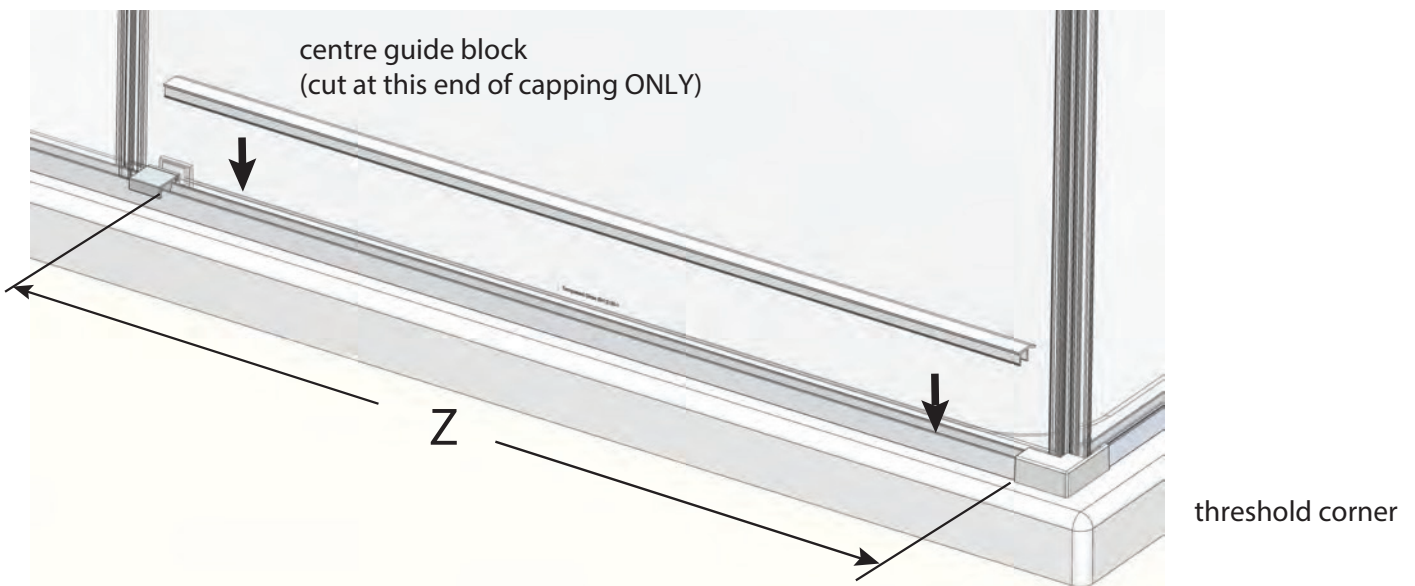
Slide guide assembly under bottom of door glass then into guide block on threshold trim, Use guide fitment tool removed from wall bracket template to ease this process.



Fit edge seals to fixed panel glass and door glass. Seals may be wetted to ease fitment.



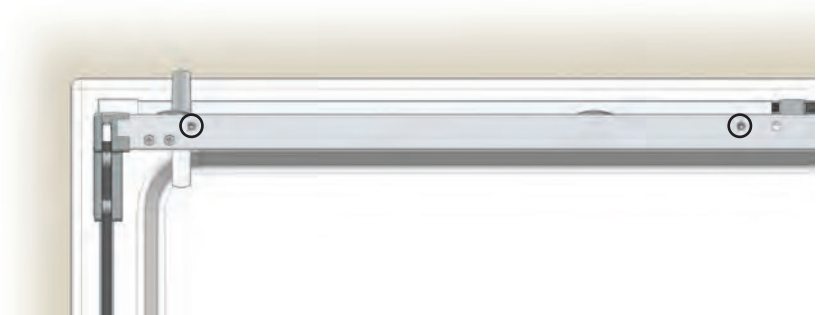
Push magnetic seals onto edge of door glass and side panel. Seals may be wetted to ease fit.



With drip lip to INSIDE, offer threshold capping up to threshold corner. Adjacent to centre guide block, measure / mark length required & neatly / squarely cut capping to length Z before fitting.



Adjust door so that bottom edge of glass runs as close as possible to guide without interference. With the door closed, use 3mm allen key through holes in top of horizontal rail to raise or lower the door. Door may need moving slightly to left or right to align hole and adjusting screw.





Apply a continuous bead of clear silicone sealant as shown EXTERNALLY ONLY.

Basic Troubleshooting :

Door motion noisy / Door not running smoothly.

Check edge seals not dragging on glass or fouling any other part of the enclosure

Check wheels engaged correctly on track and roll smoothly

Check door glass adjusted correctly (not dragging on guide)

Leakage:

The sealing method described in these instructions relies on a continuous seal being applied between walls & tray before installing the enclosure, it ensures a watertight seal around the perimeter of the enclosure to the shower walls & tray.

In the unlikely event of an enclosure leak water will be visible on the outside of the enclosure itself or around the perimeter joints only. Water appearing outside of the enclosure i.e. at floor level is normally due to incorrect tray installation.

Lakes Bathrooms Ltd.
Alexandra Way
Ashchurch
Tewkesbury
Gloucestershire
GL20 8NB

Service - England, Scotland, Wales.
08:30 - 17:00 Mon to Thurs
08:30 - 16:30 Fri
Tel:- 01684 853870
Email:- admin@lakeshoweringspaces.com
www.lakeshoweringspaces.com

Service - Northern Ireland
Ian A Kernohan
Firtrees
Green Way Industrial Estate
Conlig
Northern Ireland
BT23 7SU

08:30 - 17:00 Mon to Thurs
08:30 - 16:30 Fri
Tel:- 02891 270233
Email:- info@iakonline.com