

1 Door Quadrant

Installation / Maintenance Instructions



Rev. 05.23

IMPORTANT NOTES :

Please Read Carefully & retain these instructions for Future Reference.

1. For ease & safety we advise that two persons assemble this product.
2. Protect shower tray surfaces at all times.
3. Exposed glass corners / edges MUST NOT contact hard surfaces at any time.
4. Check for cables, pipes etc before drilling walls.
5. Ensure all surfaces are dry, clean & free of loose debris / dust.
6. Unpack goods with care (small parts can become lodged in packaging & inadvertently discarded). Check parts supplied against parts & fittings listed herein. Damaged parts / omissions may be resolved by calling Helpline.
7. Whilst precautions are taken in manufacture, care must be taken when handling as rail ends may have sharp edges.
8. Before commencing, check :
 - a) shower tray (or base) is level & completely sealed to finished / tiled walls.
 - b) finished walls are sound & free of cracks, loose tiles / grout.
9. AFTER INSTALLATION, DO NOT 'WET' ENCLOSURE FOR 48 HOURS TO ENSURE FULL CURE OF SILICONE SEALANT.

USE : General Care & Maintenance.

Provided this product is installed & operated in accordance with these instructions, problems should not arise. However should maintenance be required it should be carried out by a competent person with reference to these instructions. Before any work is carried out the root cause of the problem must be identified. Service engineers are available if necessary to consult / carry out remedial work. Call HELPLINE.

Cleaning.

(Every one to two weeks depending on local water {hardness} conditions).

All glass panels in this product have a hydrophobic coating aiding 'runoff' of water droplets, reducing the need for frequent cleaning. For best appearance / product life however, regular cleaning is recommended.

Use ONLY mild soap / detergent solutions to clean. Rinse with water, squeegee glass panels & wipe frames dry with a soft cloth. Under no circumstances should abrasive, caustic or scouring products be used. Non compliance with these cleaning instructions may cause decorative finishes to deteriorate & could adversely affect safe operation of the enclosure.

Limescale ~ should a build up of limescale occur, remove using a 50:50 solution of white vinegar & water applied with a soft cloth & rinsed / dried thoroughly afterwards.

Daily Care.

To prevent the build up of limescale, do not allow water droplets to dry on glass or frames. After showering, rinse with water, remove droplets from glass with a squeegee & wipe frame with a soft cloth.

Customer Service.

Quality Guarantee : We guarantee Shower Doors & Enclosures against any manufacturing or material defects for the duration of the warranty. We will resolve defects free of charge by repairing / replacing parts as we feel necessary. To be 'free of charge' service work must be carried out by approved agents.

Not Covered by this Guarantee : Damage or defects that result from improper installation, improper use, or lack of maintenance (including limescale buildup). Damage or defects that result from repairs / modifications undertaken by unauthorized persons. This guarantee is in addition to statutory & other legal rights.

What to do if something goes wrong : Should the product not function correctly on initial use, firstly, contact the installer to check that unit installation & commissioning are in accordance with these instructions. Should this not resolve difficulties or should performance decline, consult 'Troubleshooting' section to see if simple home maintenance is needed. Alternatively our HELPLINE staff can assist, or if necessary arrange for a service engineer to visit.

Spares : We maintain extensive spare part stocks. Spares can be ordered / purchased from your retailer in the first instance. Parts will normally be dispatched within two working days from order placement.

SUPPLIED PARTS :

Fixed Panel Sub Assy 1x flat : 1x curve

glass

vertical frame

Stiffener (frame corners) 2x

3,5 x 40mm pan head self tapping screw 4x

screw location block 2x

Curved Horizontal Profile (handed pair) complete with

Glazing Blocks pair each

Doorstop blocks & Buffers 4 each

Cover Caps

3,5 x 10 pan head self tapping screws

wall side see fig C

Wall Profile 2x inc. 5x cover clips.

Cover Section 2x



Magnetic Seal 2x

Edge Seal 2x 1989mm 2x 1896mm

Glazing Seal 4x

Top Wheel 2x

Bottom Wheel 2x

Handle Kit

Top Cap (vertical frame) 2x

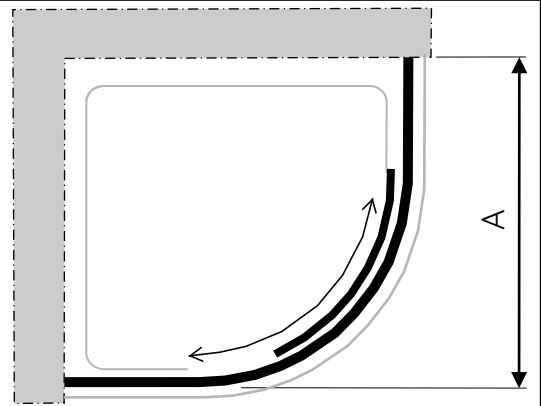
Top Cap (wall profile) 2x

4 x 45 pan head self tapping screw 8x

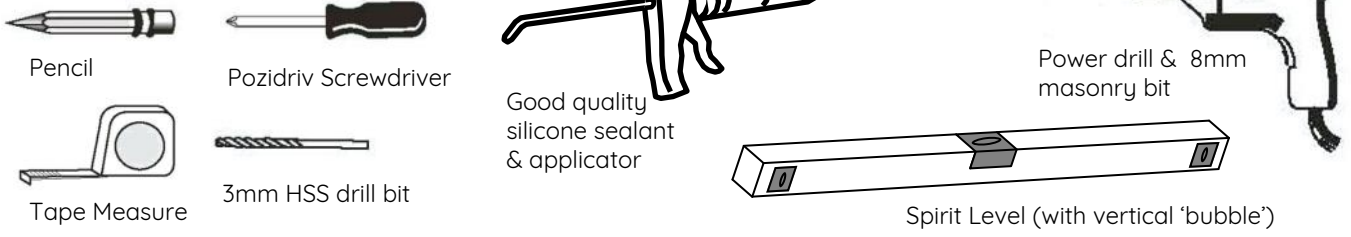
Wall Plug 8x

3,5 x 10 pan head self tapping screw 8x

SIZE	Adjustment A	X Wall Profile Position (outside)
800 (080)	765–795mm	780mm
900 (090)	865–895mm	880mm
1000 (100)	965–995mm	980mm
900x800 (098)	865-895/765-795mm	880 / 780mm
1000x800 (108)	965-995/765-795mm	980 / 780mm
1200x800 (128)	1165-1195/765-795mm	1180 / 780mm
1200x900 (129)	1165-1195/865-895mm	1180 / 880mm

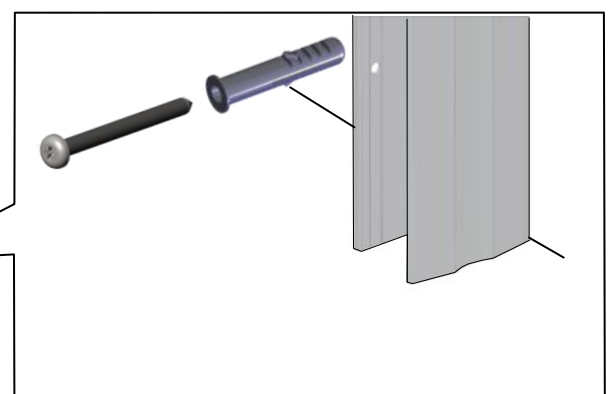
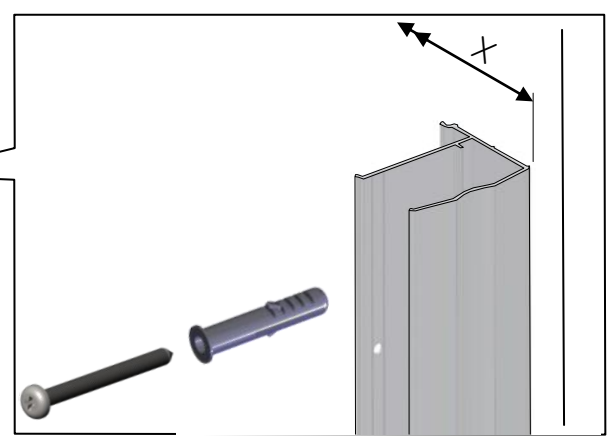
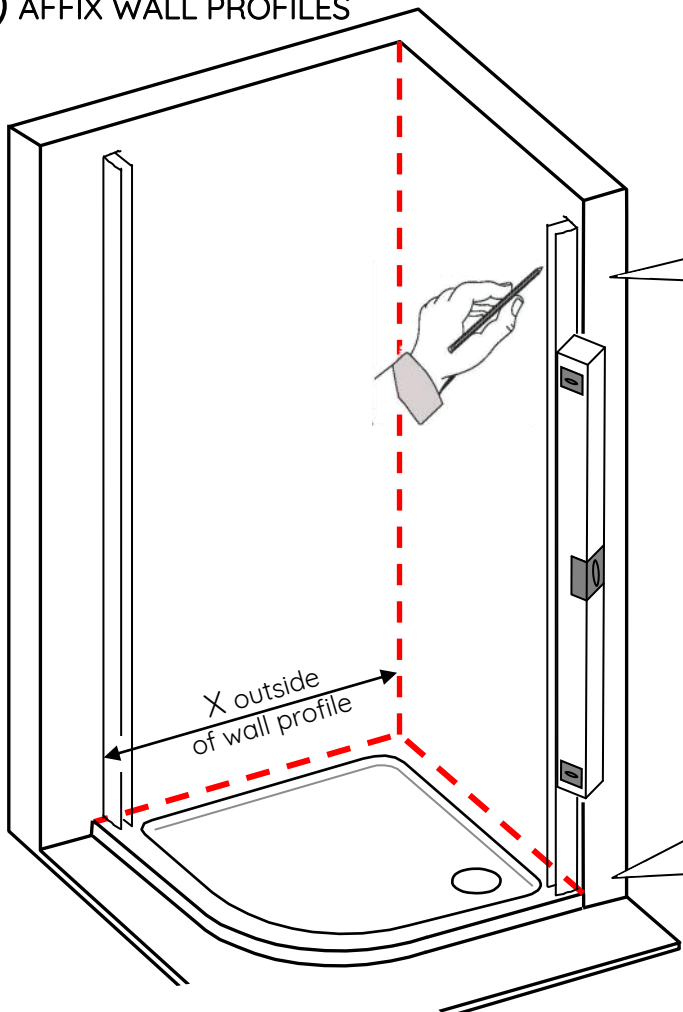


Tools Required



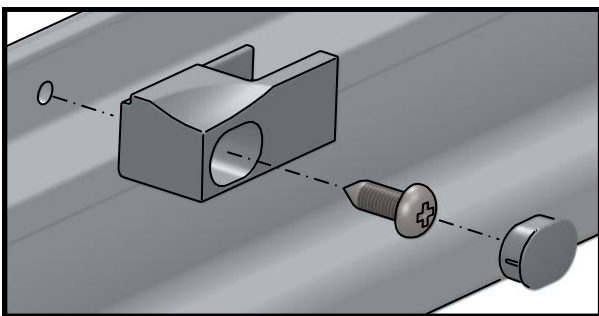
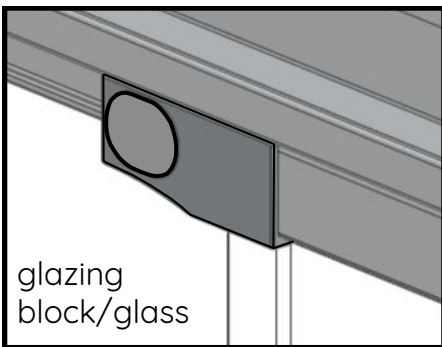
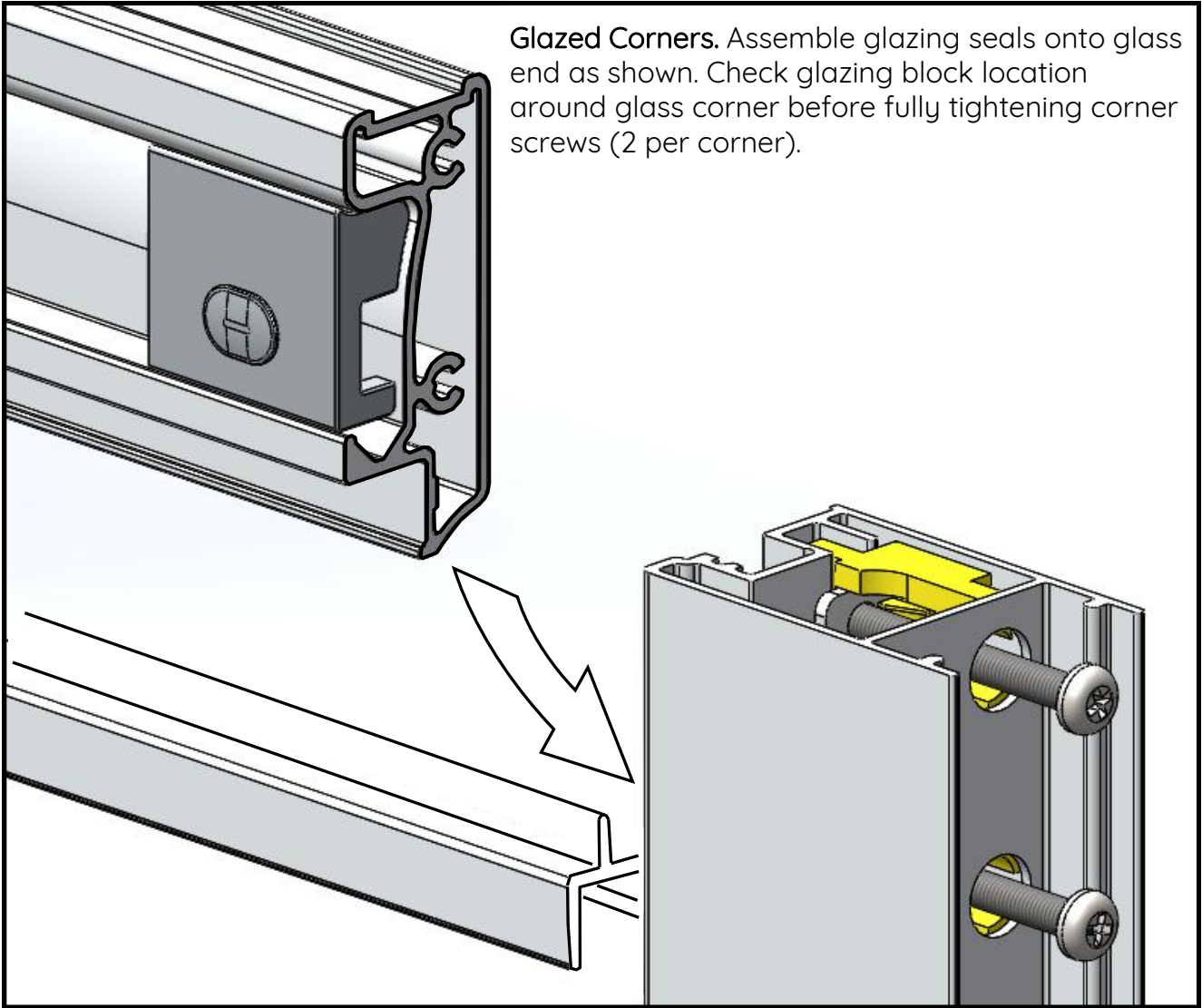
1 door Quadrant is fully reversible, so suitable for fitting to left or right hand trays. Ensure tray is correctly levelled & that all tray/wall joints are sealed & cured over entire length of tray sides (See Fig A - - - - -) prior to fitting enclosure.

(A) AFFIX WALL PROFILES

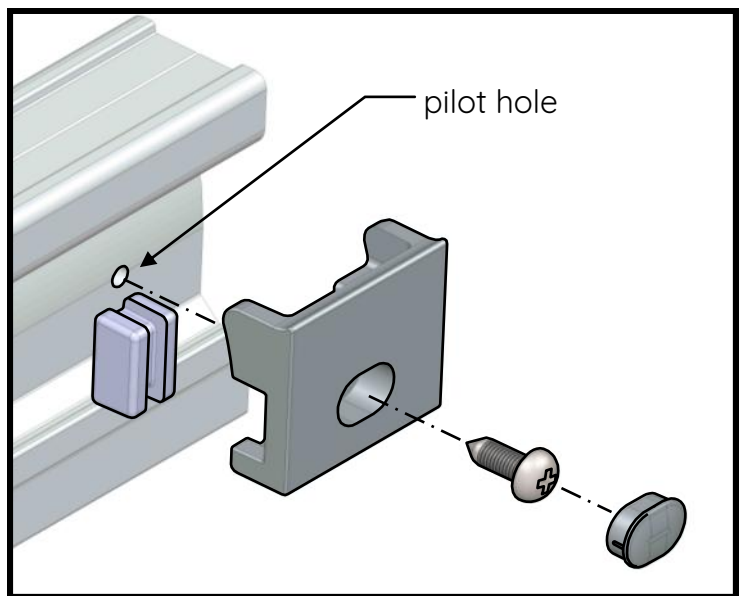


Wall profile orientation : Mounting holes to inside (wet area). Measure, plumb & mark wall profile positions, drill, plug & affix both wall profiles.

B FRAME SUB ASSEMBLY (doorstops / glazing blocks shown for reference)

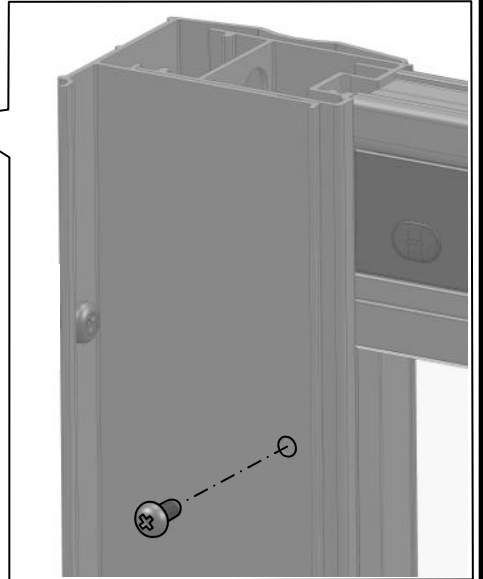
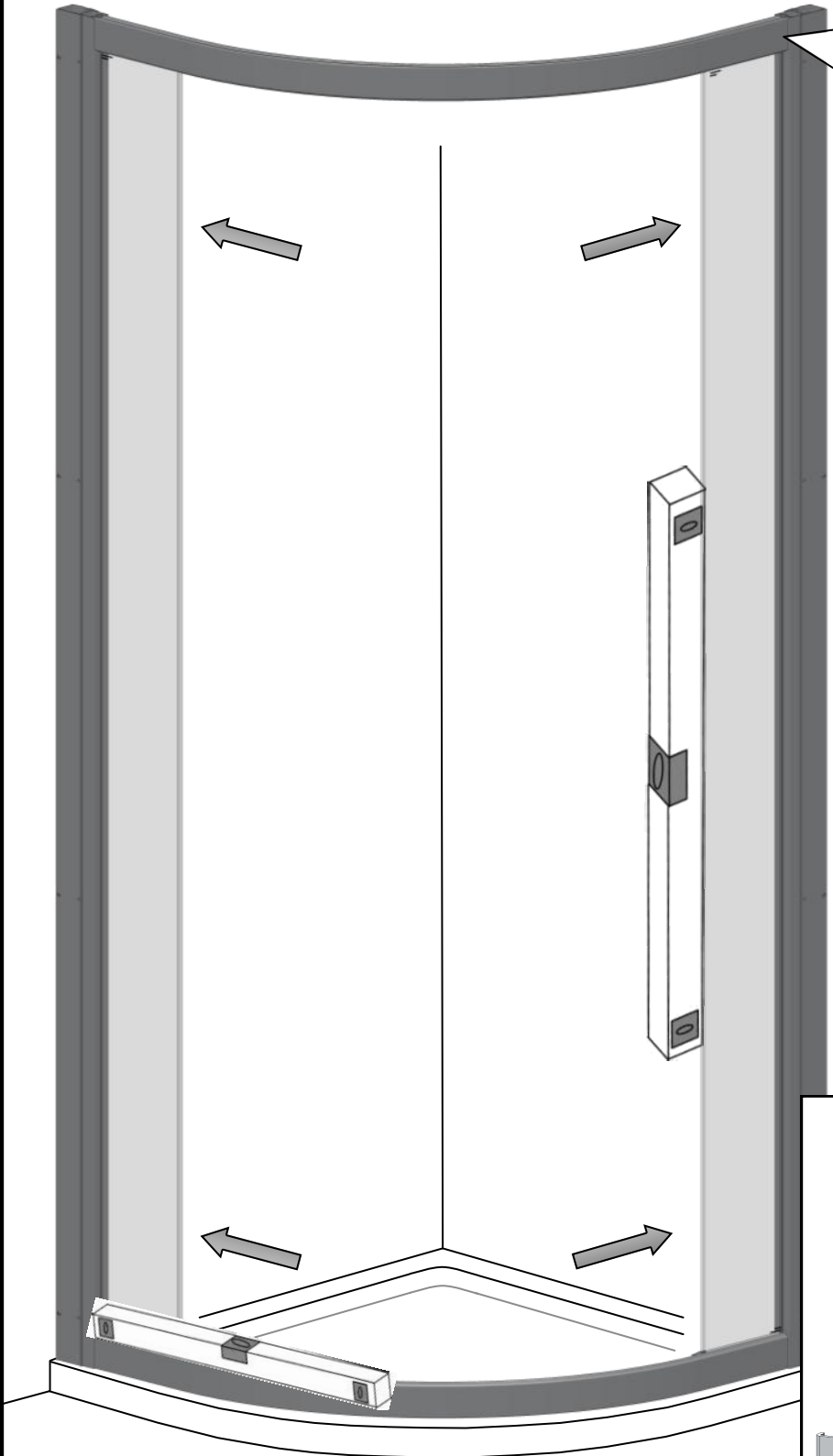


Glazing Block :
(remove / refit as shown)

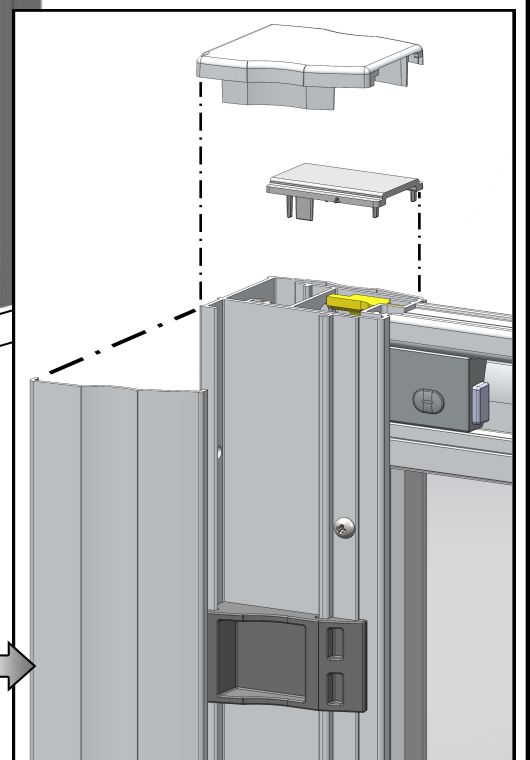


Doorstops :
(remove / refit as shown)

© INSTALL & AFFIX FRAME



Manipulate & centralise frame in wall mounts until plumb (check vertical & horizontal frame members). Check that frame is parallel to tray edges & curve. With frame in desired position, from inside enclosure, using wall profile holes as a guide, drill dia 3mm pilot holes & affix frame to wall mounts with 8off 3,5 x 10 self tapping screws.



Carefully orientate cover section, & from inside enclosure, working from top to bottom, snap fit cover section onto all 5 cover clips.

Fit frame & wall profile top cover caps.

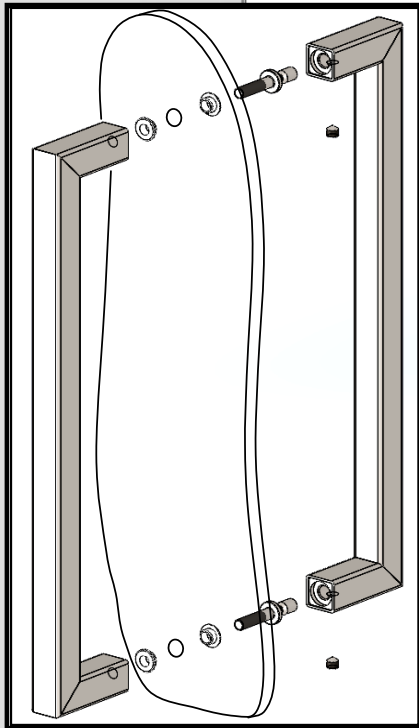
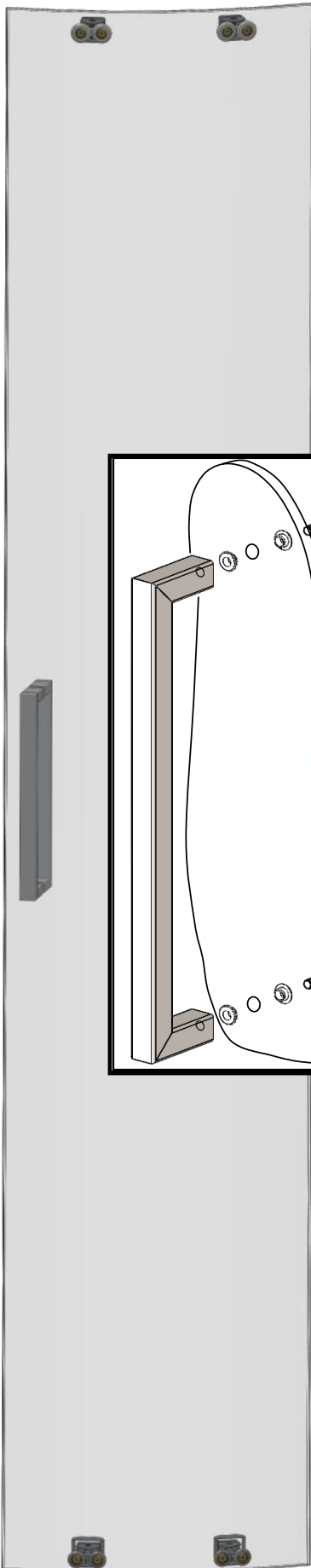
Cover Section
wall side



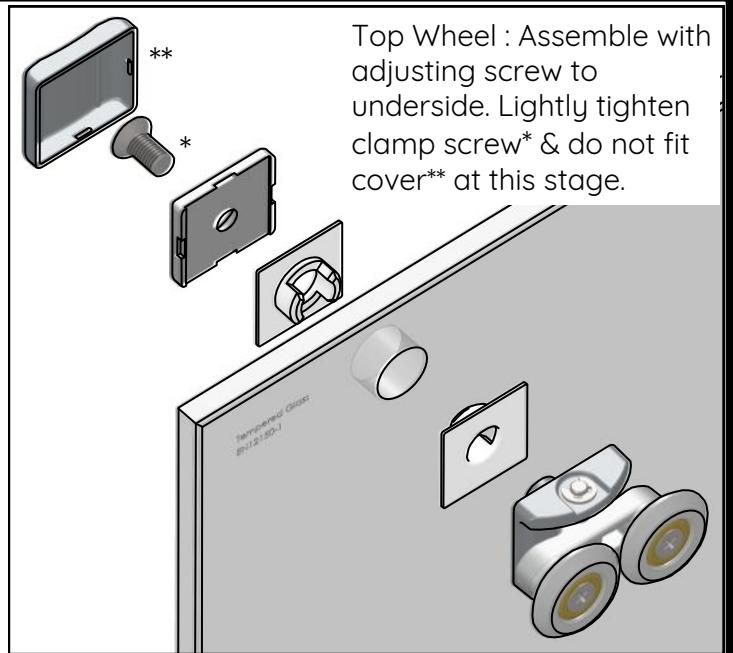
D

DOOR ASSEMBLY

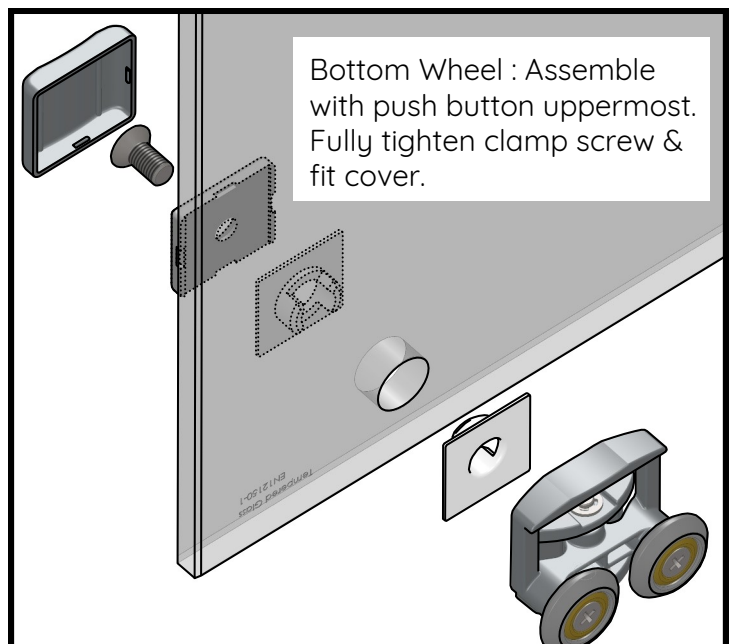
Right hand shown.
(reverse for left hand)



Ensure 1x plastic washer to each face of glass, pass pin through glass with flange / spigot end to front. Screw pins into inner handle & tighten fully. align & push outer (logo) handle fully onto spigots & tighten grub screws to retain.

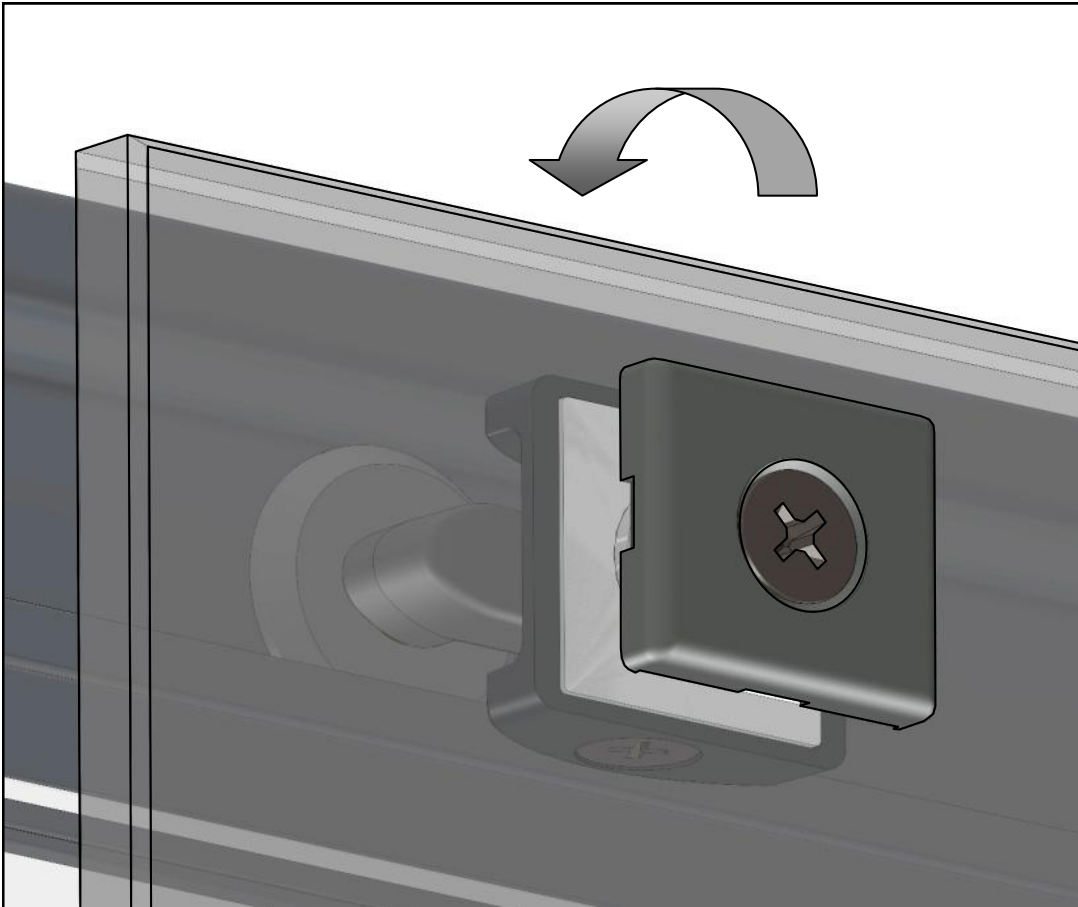


Top Wheel : Assemble with adjusting screw to underside. Lightly tighten clamp screw* & do not fit cover** at this stage.



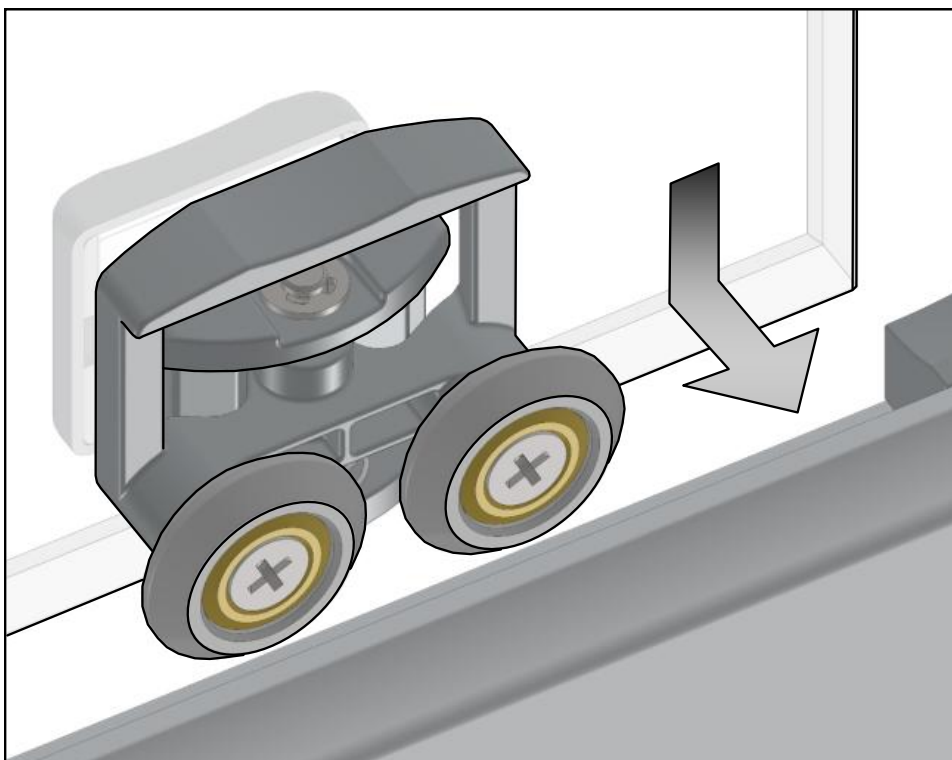
Bottom Wheel : Assemble with push button uppermost. Fully tighten clamp screw & fit cover.

(E) DOOR FITTING

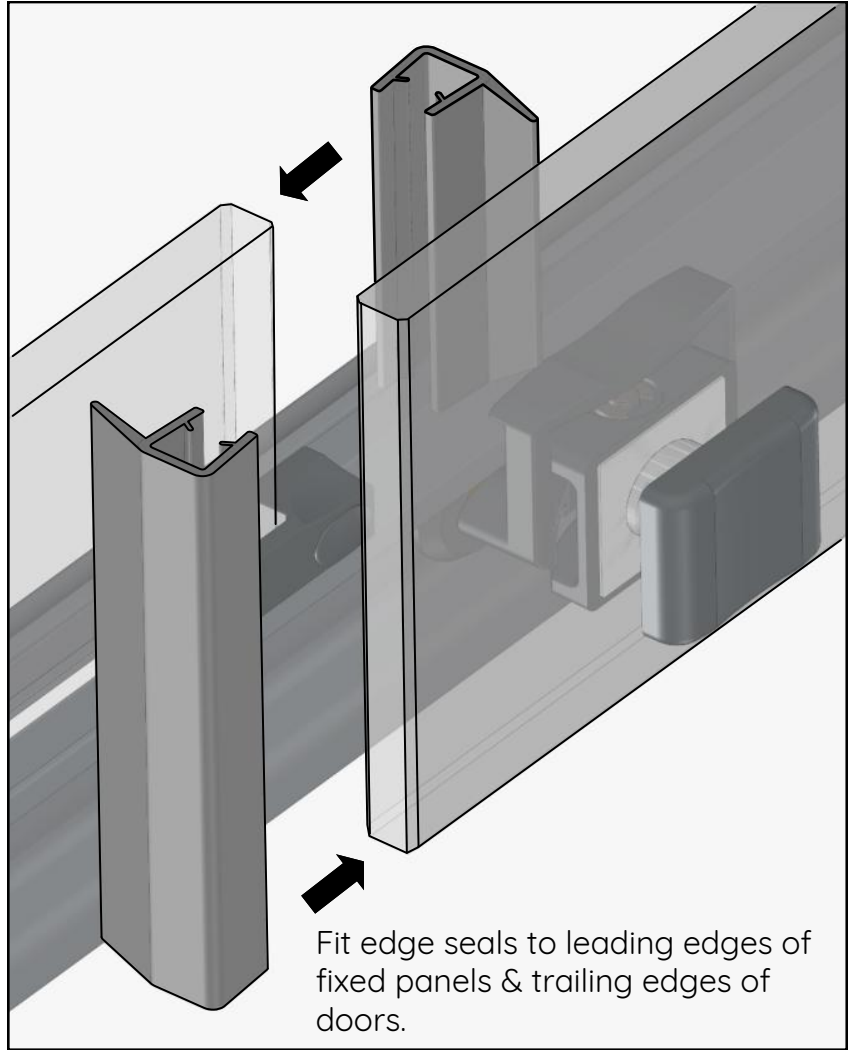


Carefully lift doors into enclosure & engage top wheels into wheel groove.
(If necessary loosen, but do not remove centre screw to permit engagement).
Immediately after all wheels are correctly engaged, fully tighten centre screw to retain door.
Fit internal wheel covers **.

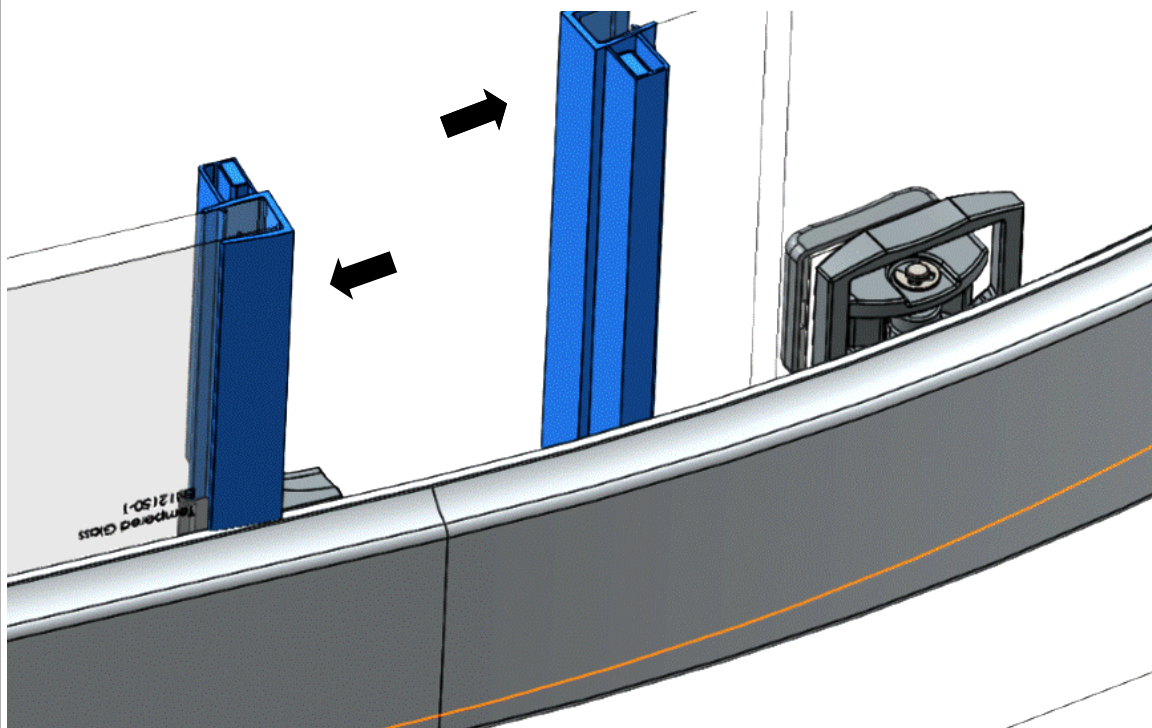
From outside enclosure, using buttons, engage bottom wheels in bottom horizontal rail.



F FIT EDGE & MAGNETIC SEALS

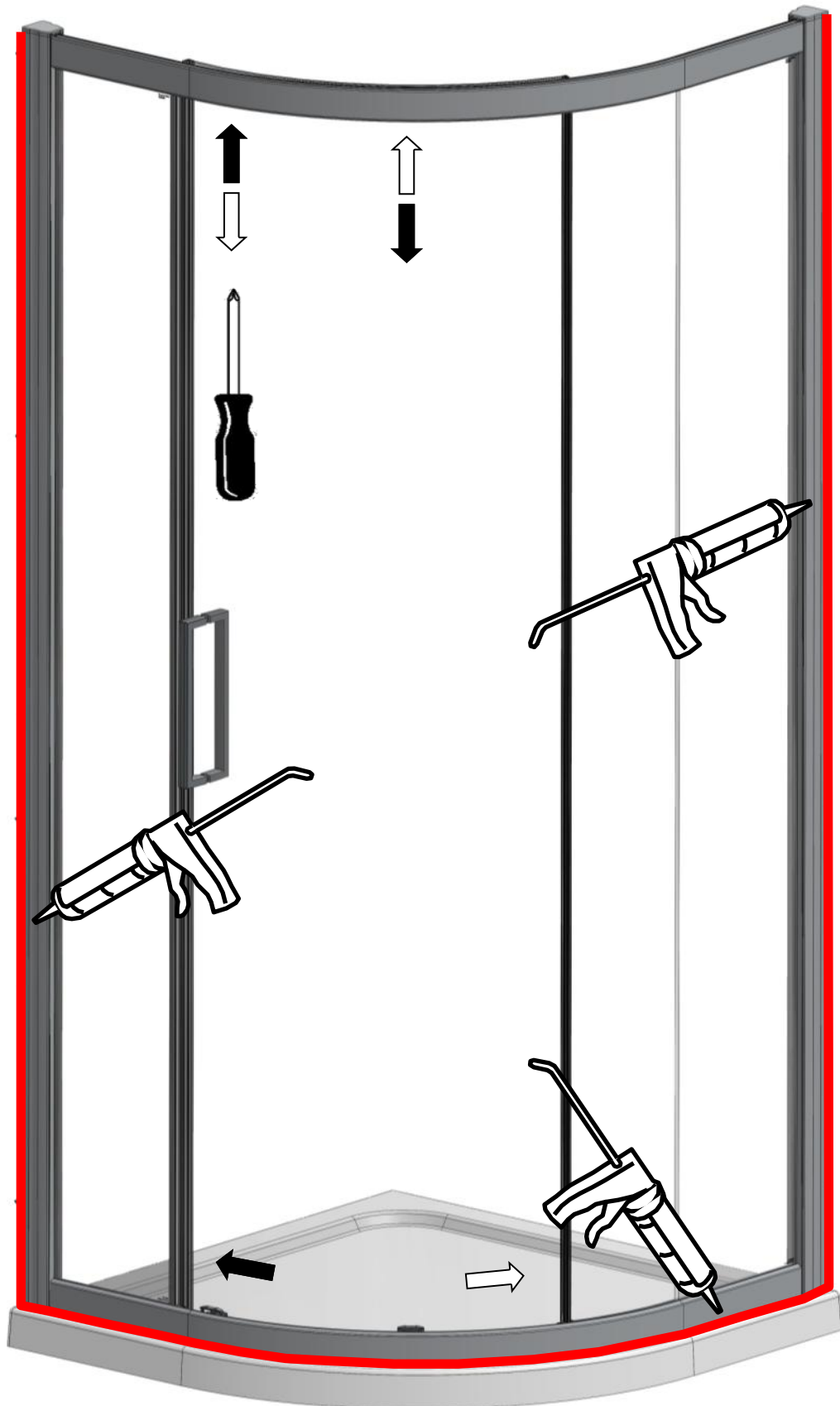


Fit magnetic seals to lead edges of door & flat fixed panel as shown.



SEALS MAY BE WETTED TO EASE ASSEMBLY

G ADJUST DOOR & SEALING



From underside of top wheels, adjust door height until bottom wheels are engaged in horizontal profile (no wobble). Then adjust door angle plumb with vertical frame profiles & check door magnets in contact over full door height.
Use of good quality silicone sealant & cleaning / degreasing of all joint areas is recommended. Apply continuous silicone sealant bead EXTERNALLY ONLY

BASIC TROUBLESHOOTING :

Door motion noisy / Door not running smoothly / Door loose on bottom rail :

Check for edge seals dragging on glass (can cause 'clicking' / scraping noise).

Check top wheels engaged properly in & roll smoothly along rails.

Check door height adjustment ~ raise doors so that spring loaded bottom wheels are in contact with, & roll smoothly along bottom rail.

Wheels & grooves are factory greased, however over time this may disperse or become contaminated by dust etc, cleaning of grooves & re application of sanitary silicone based grease will restore & ensure smooth door motion.

Leakage :

The sealing method described in these instructions relies on a continuous seal being applied between shower walls & tray before installing the enclosure (see fig A), it ensures a watertight seal around the perimeter of the enclosure to the shower walls & tray.

In the unlikely event of an enclosure leak, water will be visible on the outside of the enclosure itself, or around the perimeter joints ONLY. Water / moisture appearing outside this area (ie at floor level) is normally due to incorrect tray installation.