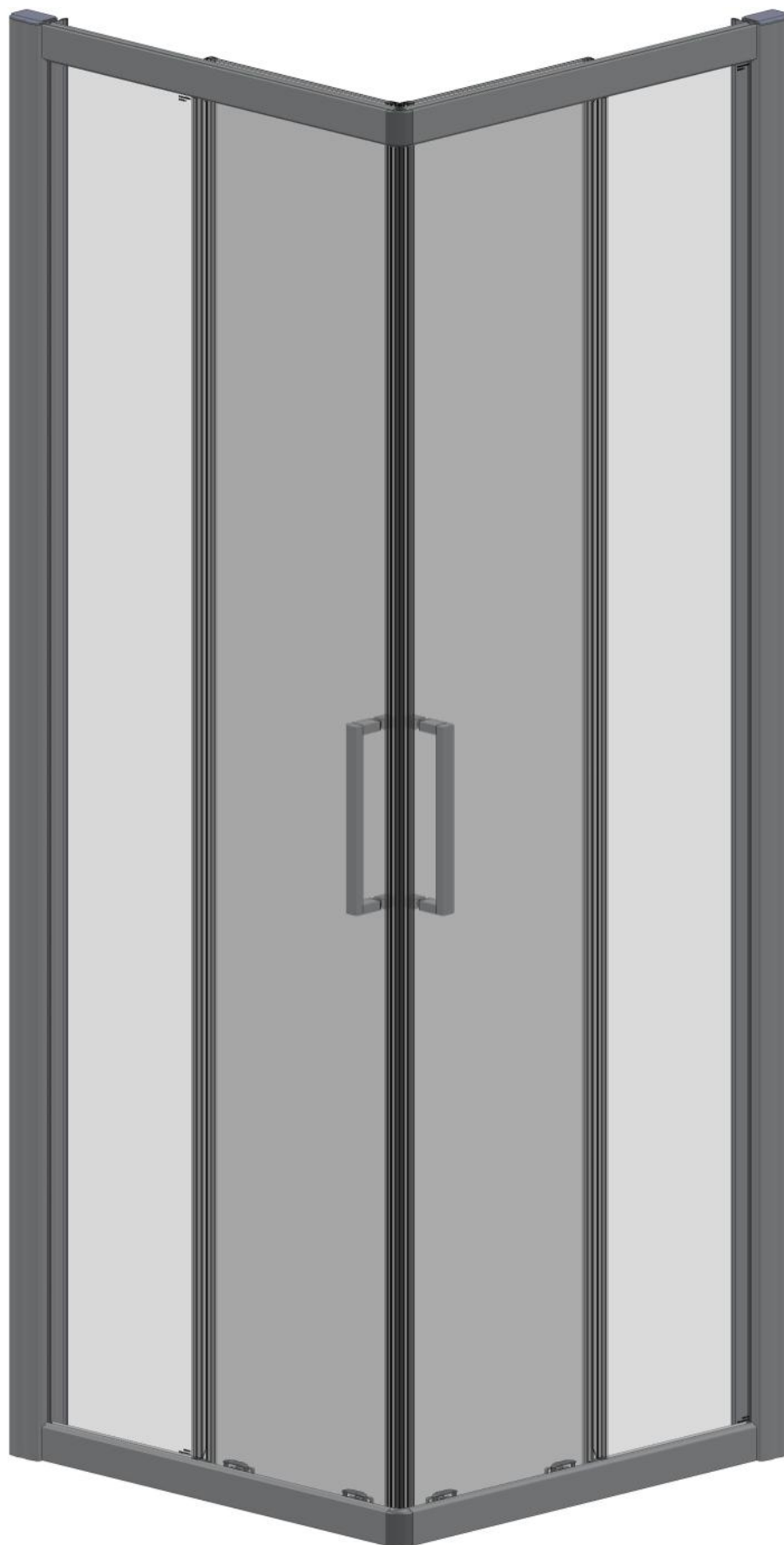


Corner Entry Enclosure

Installation / Maintenance Instructions



Rev 01.23

IMPORTANT NOTES :

Please Read Carefully & retain these instructions for Future Reference.

1. For ease & safety we advise that two persons assemble this product.
2. Protect shower tray surfaces at all times.
3. Exposed glass corners / edges MUST NOT contact hard surfaces at any time.
4. Check for cables, pipes etc before drilling walls.
5. Ensure all surfaces are dry, clean & free of loose debris / dust.
6. Unpack goods with care (small parts can become lodged in packaging & inadvertently discarded). Check parts supplied against parts & fittings listed herein. Damaged parts / omissions may be resolved by calling Lakes Bathrooms Helpline.
7. Whilst precautions are taken in manufacture, care must be taken when handling as rail ends may have sharp edges.
8. Before commencing, check :
 - a) shower tray (or base) is level & completely sealed to finished / tiled walls.
 - b) finished walls are sound & free of cracks, loose tiles / grout.
9. AFTER INSTALLATION, DO NOT 'WET' ENCLOSURE FOR 48 HOURS TO ENSURE FULL CURE OF SILICONE SEALANT.

USE :

General Care & Maintenance.

Provided this product is installed & operated in accordance with these instructions, problems should not arise. However should maintenance be required it should be carried out by a competent person with reference to these instructions. Before any work is carried out the root cause of the problem must be identified. Lakes Bathrooms service engineers are available if necessary to consult / carry out remedial work. Call Lakes Bathrooms HELPLINE.

Cleaning.

(Every one to two weeks depending on local water {hardness} conditions).

All glass panels in this product have a hydrophobic coating aiding 'runoff' of water droplets, reducing the need for frequent cleaning. For best appearance / product life however, regular cleaning is recommended.

Use ONLY mild soap / detergent solutions to clean. Rinse with water, squeegee glass panels & wipe frames dry with a soft cloth. Under no circumstances should abrasive, caustic or scouring products be used. Non compliance with these cleaning instructions may cause decorative finishes to deteriorate & could adversely affect safe operation of the enclosure.

Daily Care.

To prevent the build up of limescale, do not allow water droplets to dry on glass or frames. After showering, rinse with water, remove droplets from glass with a squeegee & wipe frame with a soft cloth.

Customer Service.

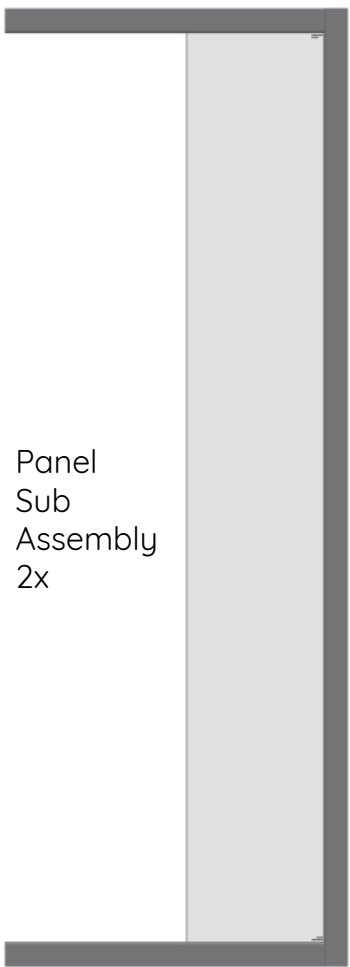
Quality Guarantee : Lakes Bathrooms Ltd guarantee Shower Doors & Enclosures against any manufacturing or material defects for the duration of the warranty. We will resolve defects free of charge by repairing / replacing parts as we feel necessary. To be 'free of charge' service work must be carried out by Lakes Bathrooms or approved agents.

Seals are considered 'wear & tear' parts, as such they are guaranteed for 12 months from purchase. Not Covered by this Guarantee : Damage or defects that result from improper installation, improper use, or lack of maintenance (including limescale buildup). Damage or defects that result from repairs / modifications undertaken by unauthorized persons. This guarantee is in addition to statutory & other legal rights.

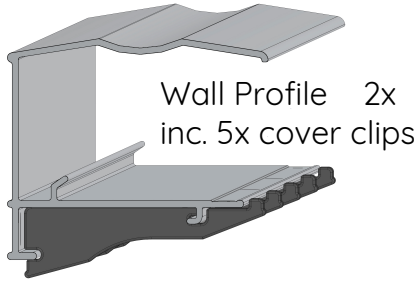
What to do if something goes wrong : Should the product not function correctly on initial use, firstly, contact the installer to check that unit installation & commissioning are in accordance with these instructions. Should this not resolve difficulties or should performance decline, consult 'Troubleshooting' section to see if simple home maintenance is needed. Alternatively our HELPLINE staff can assist, or if necessary arrange for a service engineer to visit.

Spares : We maintain extensive spare part stocks. Spares can be ordered / purchased from your retailer in the first instance. Parts will normally be dispatched within two working days from order placement.

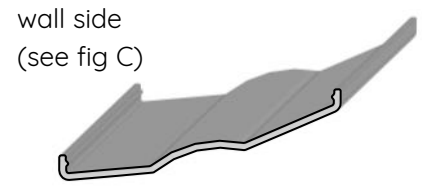
SUPPLIED PARTS : (unit supplied as 'halves')



Panel Sub Assembly 2x

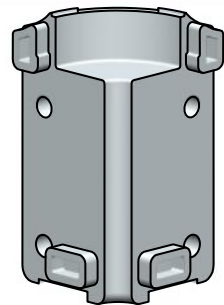


Wall Profile 2x
inc. 5x cover clips



wall side
(see fig C)

Cover Section 2x



Corner Bracket 2x



Corner Cover 2x



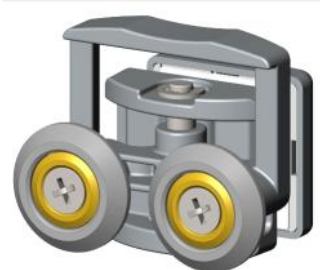
Handle Kit 2x



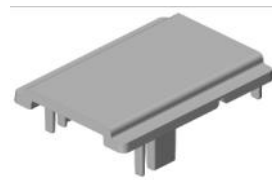
Top Wheel 4x



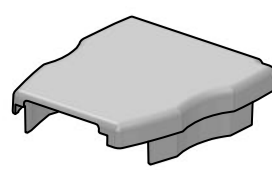
Door Glass 2x



Bottom Wheel 4x



Top Cap (vertical frame) 2x



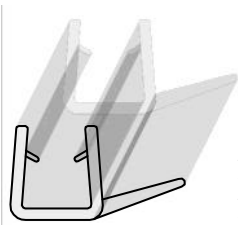
Top Cap (wall profile) 2x



Magnetic Seal 2x



4 x 45 pan head self tapping screw 16x



Edge Seal
2x 1989mm
2x 1896mm



Wall Plug 8x



3,5 x 10 pan head self tapping screw 8x

SIZE	Adjustment A	Wall Profile Position 'X'
700 (070)	660–690mm	675mm
750 (075)	710–740mm	725mm
800 (080)	750–780mm	765mm
900 (090)	850–880mm	865mm
1000 (100)	950–980mm	965mm

Tools Required

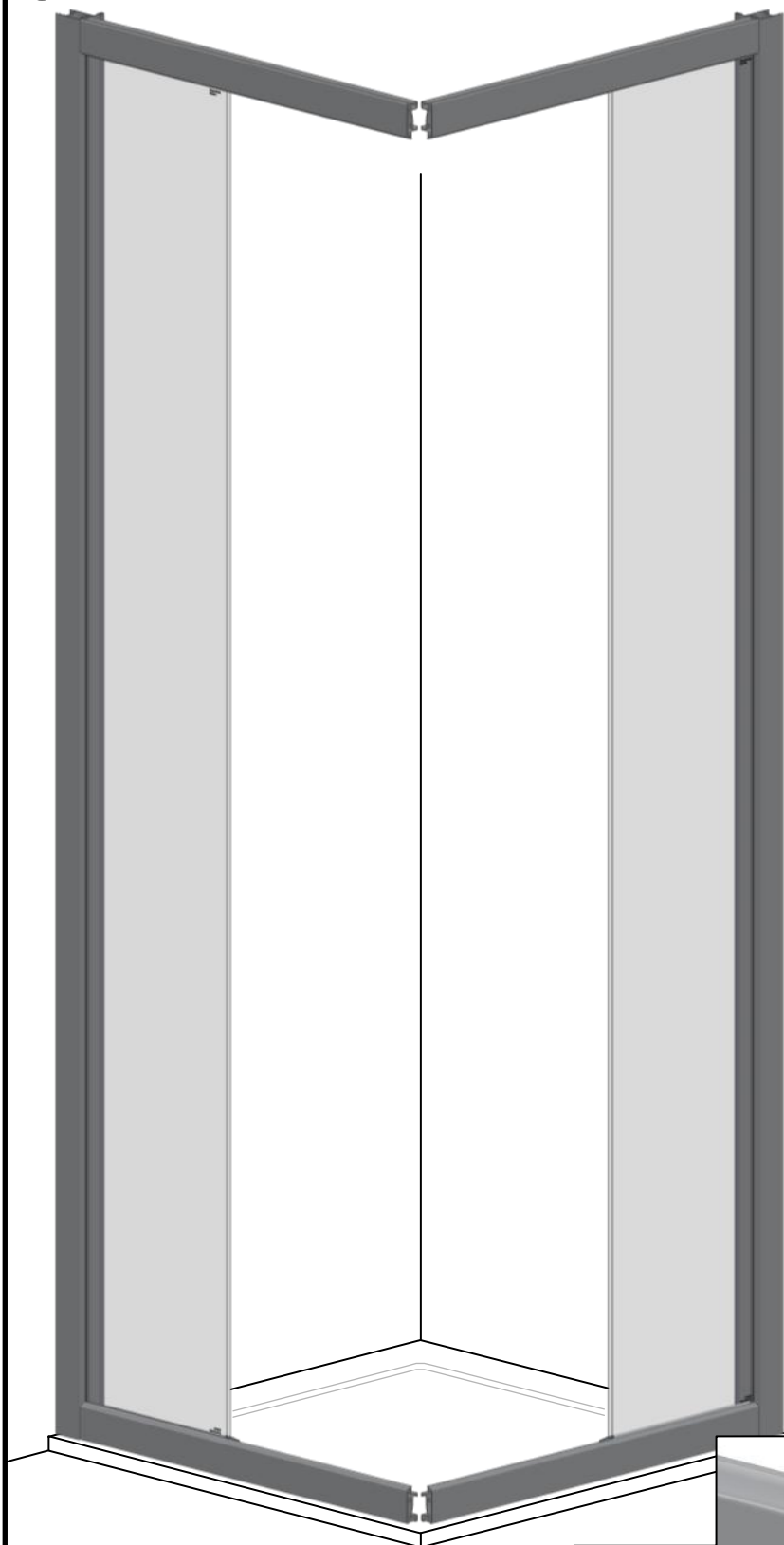
- Tape Measure
- Pencil
- Spirit Level (with vertical 'bubble')
- Pozidriv Screwdriver
- Power drill & 8mm masonry bit
- 3mm HSS drill bit
- Good quality silicone sealant & applicator

Corner Entry Halves are fully reversible, so suitable for fitting to left or right hand side of enclosure. Ensure tray is correctly levelled & that all tray/wall joints are sealed & cured over entire length of tray sides (See - - - - Fig A) prior to fitting enclosure. **DO NOT SEAL BASE / WALL EDGES UPTO A FITTED ENCLOSURE !**

(A) AFFIX WALL PROFILES

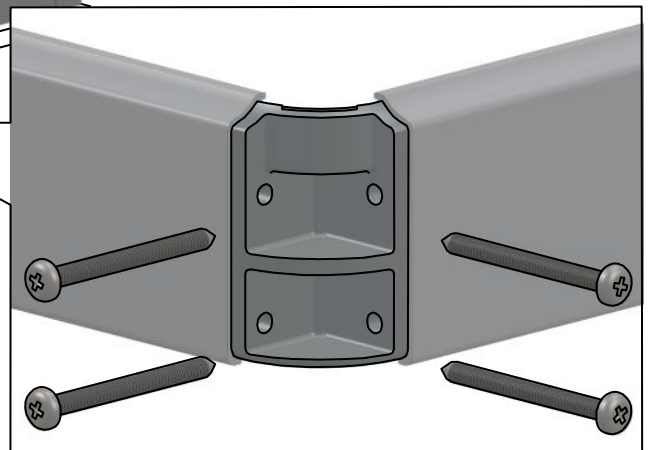
Wall profile orientation : Mounting holes to inside (wet area).
 Measure, plumb & mark wall profile positions, drill, plug & affix both wall profiles.

B INSERT PANEL HALVES & FIT CENTRE BRACKETS

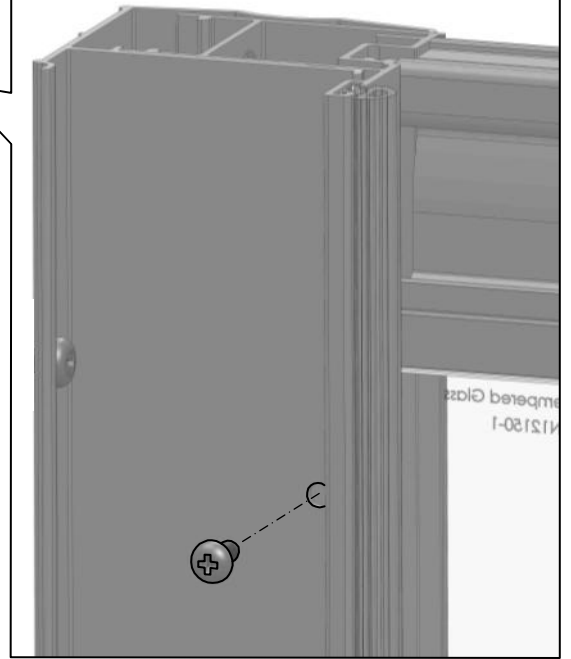
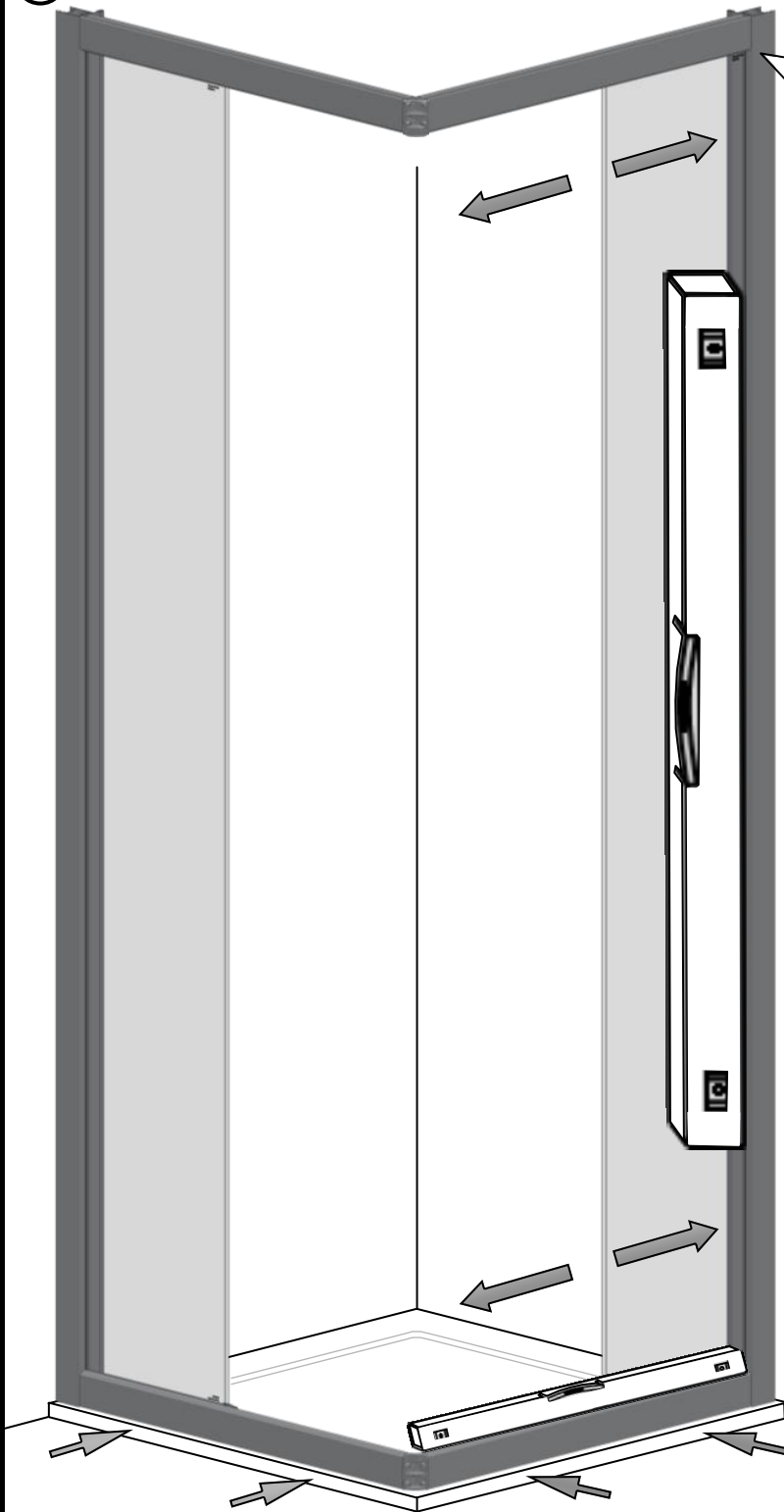


Carefully lift panels onto tray & insert into wall profiles.

Affix corner brackets to horizontal profile ends & secure with 4 x 45mm self tapping screws (4 per bracket)



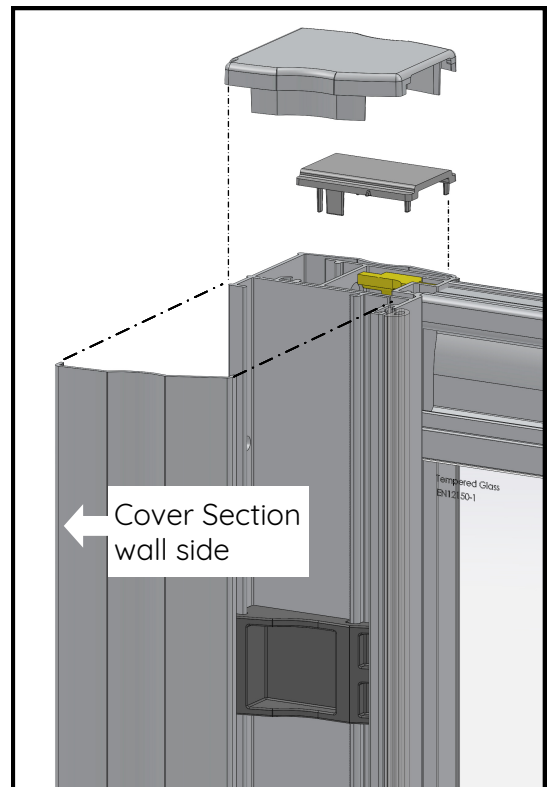
© PLUMB, AFFIX FRAME & CAPPING



Manipulate & centralise frame in wall mounts until plumb (check vertical & horizontal frame members).
Check that frame is parallel to tray edges.
With frame in desired position, from inside enclosure, using wall profile holes as a guide, drill dia 3mm pilot holes & affix frame to wall mounts with 8off 3,5 x 10 self tapping screws.

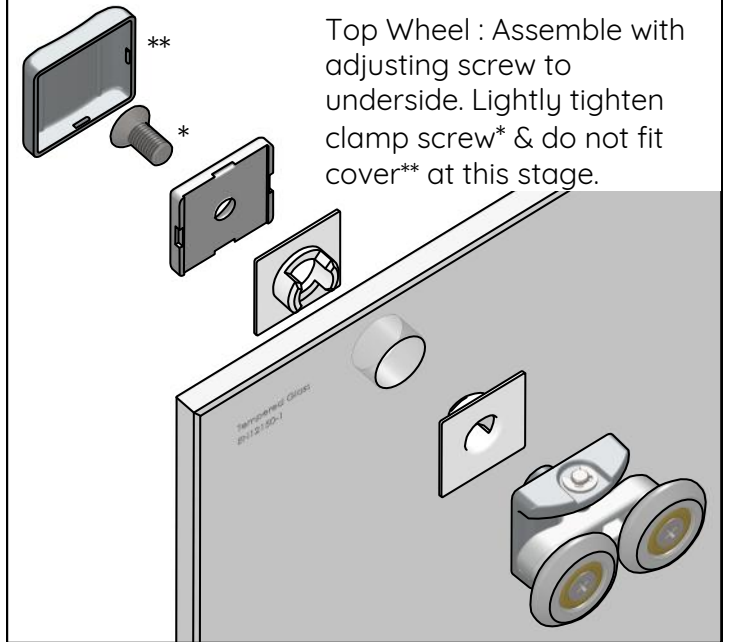
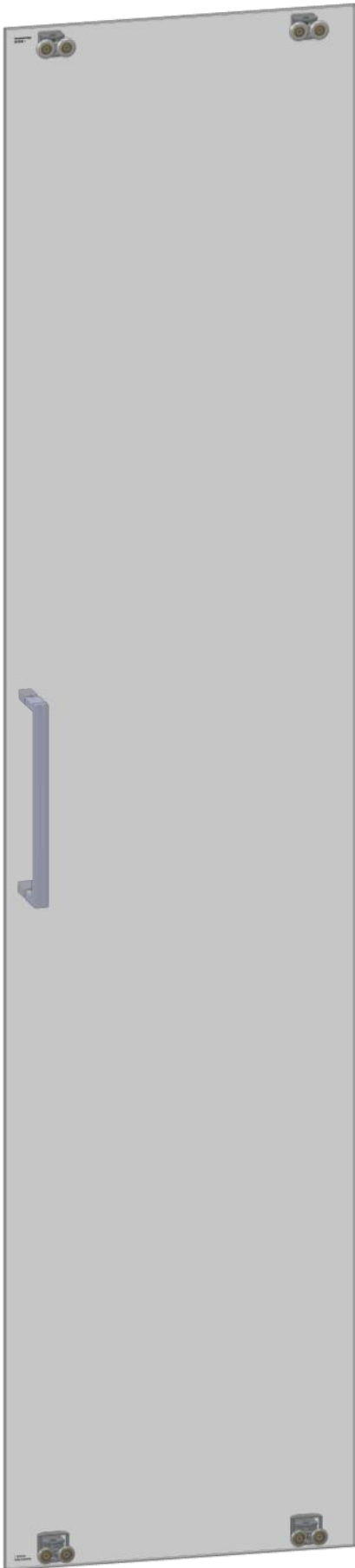
Carefully orientate cover section, & from inside enclosure, working from top to bottom, snap fit cover section onto all 5 cover clips on wall profile.

Fit frame & wall profile top cover caps.

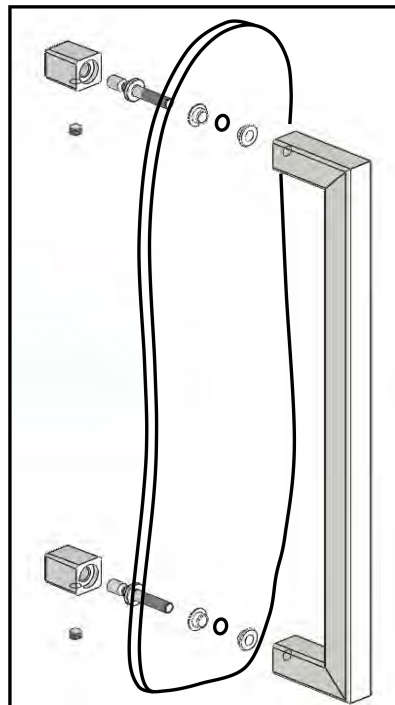


D DOOR ASSEMBLY

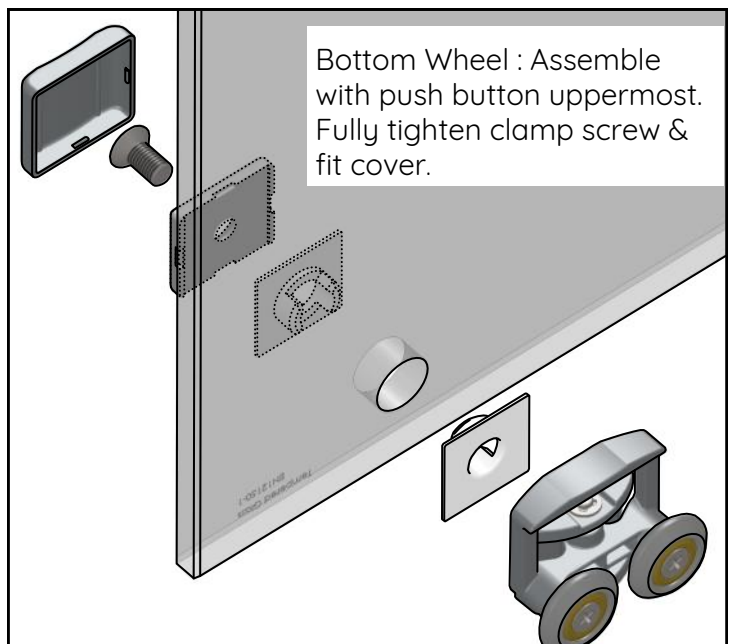
Right hand shown.
Reverse for Left hand



Top Wheel : Assemble with adjusting screw to underside. Lightly tighten clamp screw* & do not fit cover** at this stage.

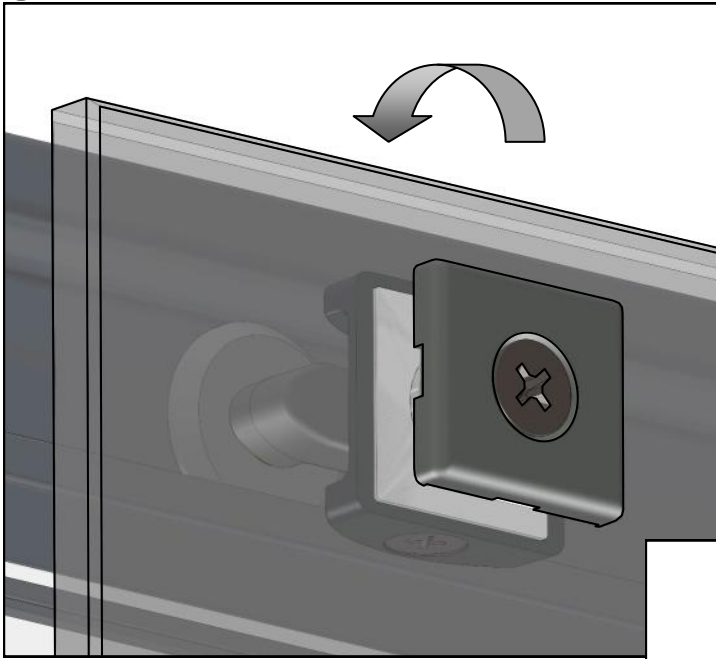


Assemble handle to glass as shown (doorknobs to inside). Ensure plastic washers fitted each side beneath handles. Tighten grub screws fully to retain.



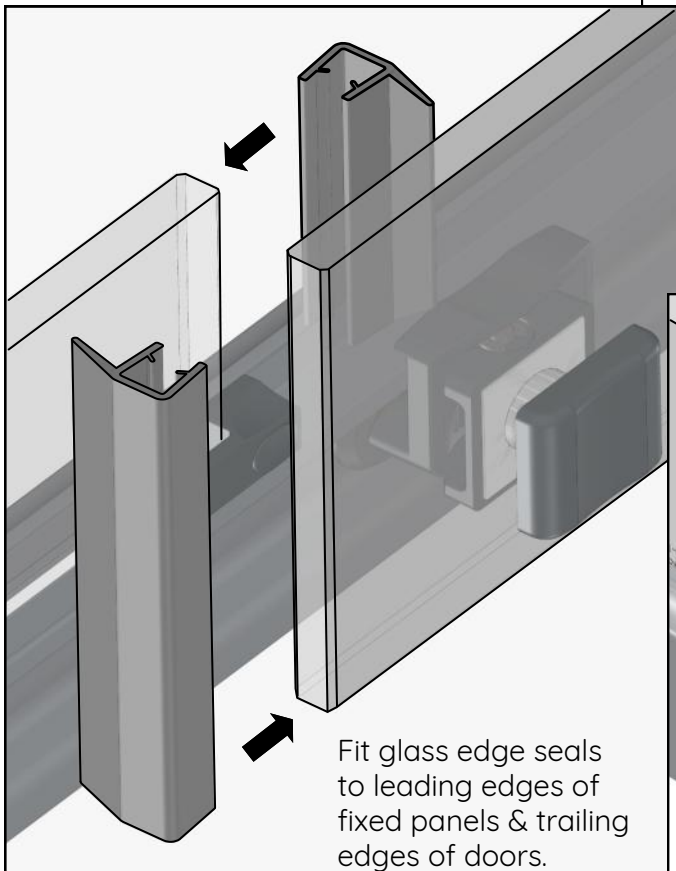
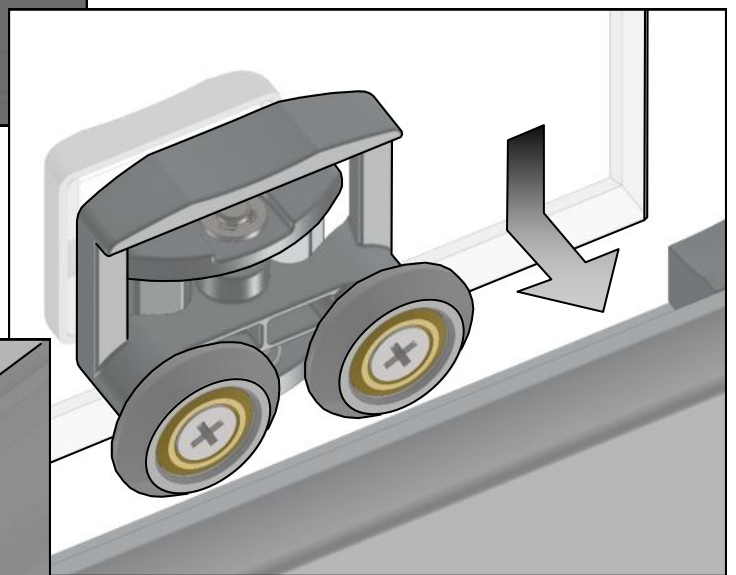
Bottom Wheel : Assemble with push button uppermost. Fully tighten clamp screw & fit cover.

E FIT SEALS & HANG DOORS



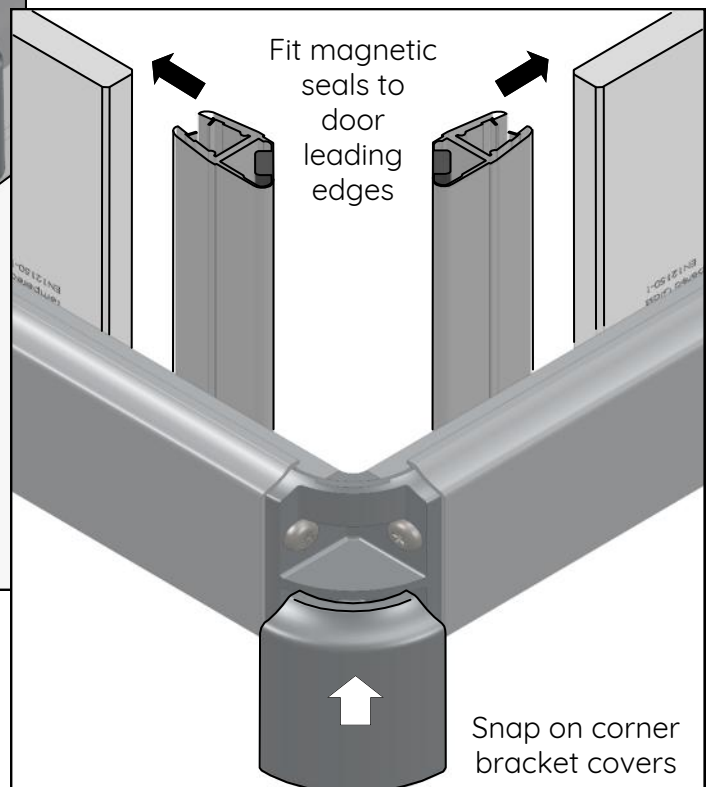
Carefully lift door into enclosure & engage top wheels into wheel groove. (If necessary loosen, but do not remove centre screw to permit engagement). Immediately after all wheels are correctly engaged, fully tighten centre screw to retain door.

From outside enclosure, using buttons, engage bottom wheels in bottom horizontal profile.



Fit glass edge seals to leading edges of fixed panels & trailing edges of doors.

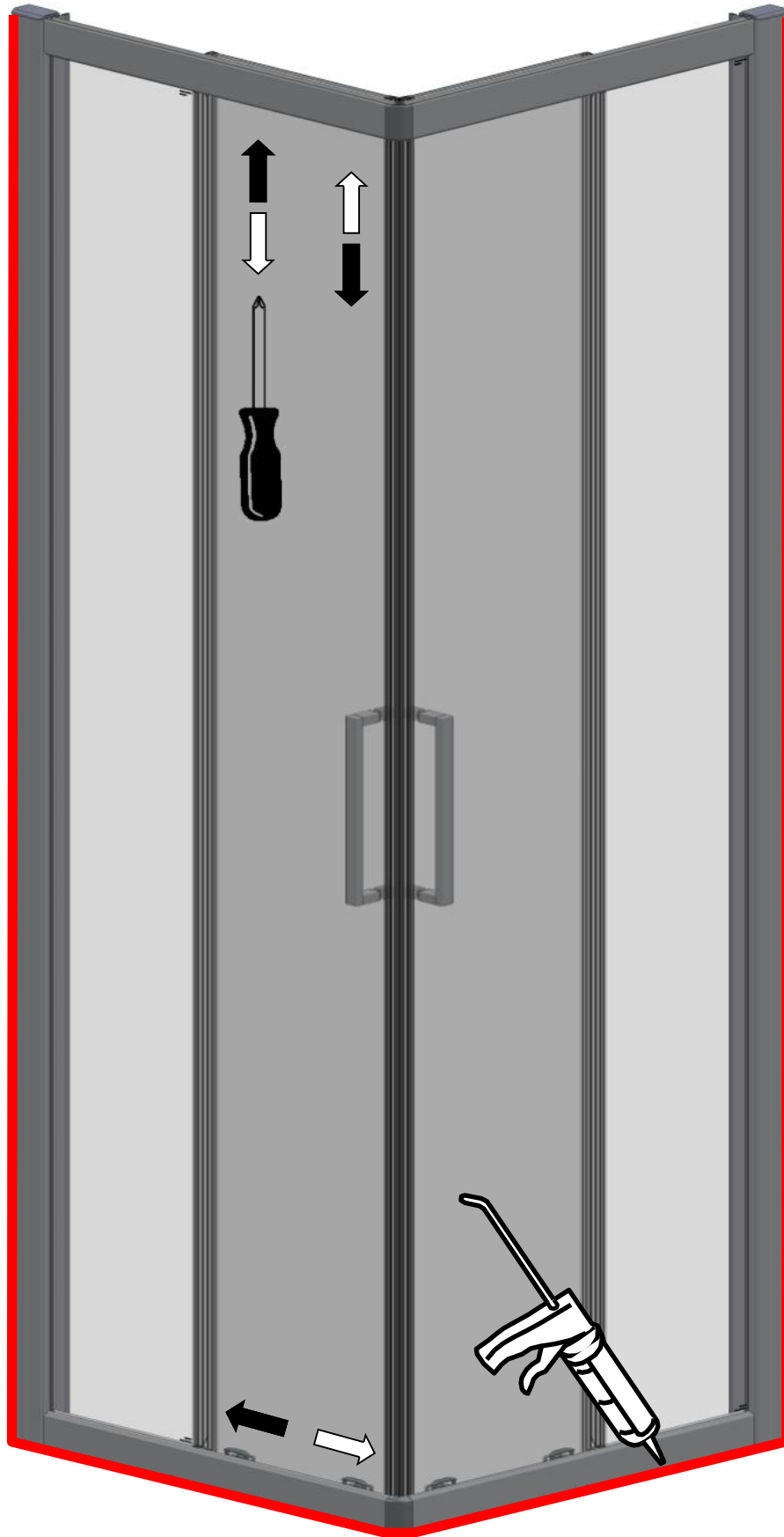
Seals may be wetted to ease assembly.



Fit magnetic seals to door leading edges

Snap on corner bracket covers

Ⓕ ADJUST DOORS & SEALING



From underside of top wheels, adjust door height until bottom wheels are engaged in horizontal profile (no wobble). Then adjust door angle plumb with vertical frame profiles (check door edge contact with bump stop & magnetic seal closure). Use of good quality silicone sealant & cleaning / degreasing of all joint areas is recommended. Apply continuous silicone sealant bead EXTERNALLY ONLY

BASIC TROUBLESHOOTING :

Door motion noisy / Door not running smoothly / Door loose on bottom rail :

Check for edge seals dragging on glass (can cause 'clicking' noise).

Check top wheels engaged properly in rails & roll smoothly along rails.

Check door height adjustment ~ raise doors so that spring loaded bottom wheels are in contact with, & roll smoothly along bottom rail.

Wheels & grooves are factory greased, however over time this may disperse or become contaminated by dust etc, cleaning of grooves & re application of sanitary silicone based grease will restore & ensure smooth door motion.

Door rocks in frame on fully opening / closing (on door reaching stops) :

Check door plumb ~ adjust angle until full contact with stops is achieved.

Leakage :

The sealing method described in these instructions relies on a continuous seal being applied between shower walls & tray before installing the enclosure (see fig A), it ensures a watertight seal around the perimeter of the enclosure to the shower walls & tray.

In the unlikely event of an enclosure leak, water will be visible on the outside of the enclosure itself, or around the perimeter joints ONLY. Water / moisture appearing outside this area (ie at floor level) is normally due to incorrect tray installation.