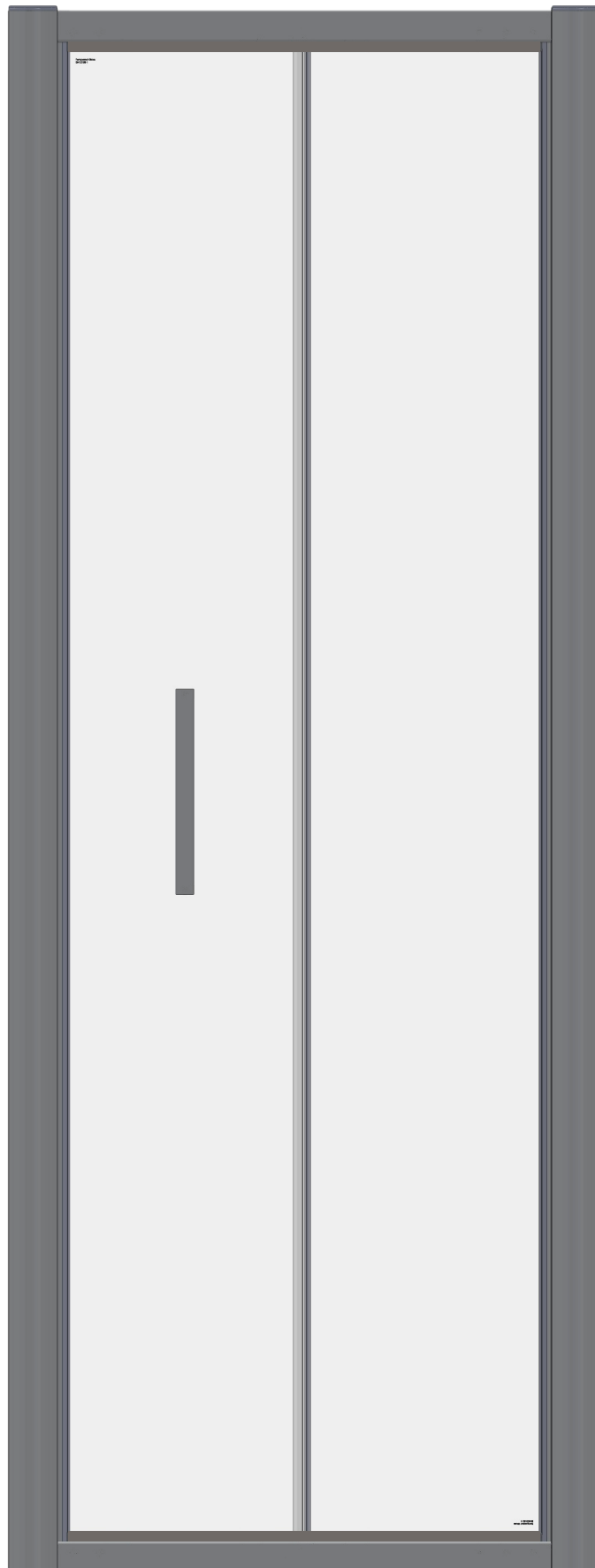


Bifold Door

Installation / Maintenance Instructions



Rev 01.23

IMPORTANT NOTES :

Please Read Carefully & retain these instructions for Future Reference.

1. For ease & safety we advise that two persons assemble this product.
2. Protect shower tray surfaces at all times.
3. Exposed glass corners / edges MUST NOT contact hard surfaces at any time.
4. Check for cables, pipes etc before drilling walls.
5. Ensure all surfaces are dry, clean & free of loose debris / dust.
6. Unpack goods with care (small parts can become lodged in packaging & inadvertently discarded). Check parts supplied against parts & fittings listed herein. Damaged parts / omissions may be resolved by calling Helpline.
7. Whilst precautions are taken in manufacture, care must be taken when handling as rail ends may have sharp edges.
8. Before commencing, check :
 - a) shower tray (or base) is level & completely sealed to finished / tiled walls.
 - b) finished walls are sound & free of cracks, loose tiles / grout.
9. AFTER INSTALLATION, DO NOT 'WET' ENCLOSURE FOR 48 HOURS TO ENSURE FULL CURE OF SILICONE SEALANT.

USE: General Care & Maintenance.

Provided this product is installed & operated in accordance with these instructions, problems should not arise. However should maintenance be required it should be carried out by a competent person with reference to these instructions. Before any work is carried out the root cause of the problem must be identified. Service engineers are available if necessary to consult / carry out remedial work. Call HELPLINE.

Cleaning.

(Every one to two weeks depending on local water {hardness} conditions).

All glass panels in this product have a hydrophobic coating aiding 'runoff' of water droplets, reducing the need for frequent cleaning. For best appearance / product life however, regular cleaning is recommended.

Use ONLY mild soap / detergent solutions to clean. Rinse with water, squeegee glass panels & wipe frames dry with a soft cloth. Under no circumstances should abrasive, caustic or scouring products be used. Non compliance with these cleaning instructions may cause decorative finishes to deteriorate & could adversely affect safe operation of the enclosure. Limescale ~ should a build up of limescale occur, remove using a 50:50 solution of white vinegar & water applied with a soft cloth & rinsed / dried thoroughly afterwards.

Daily Care.

To prevent the build up of limescale, do not allow water droplets to dry on glass or frames. After showering, rinse with water, remove droplets from glass with a squeegee & wipe frame with a soft cloth.

Customer Service.

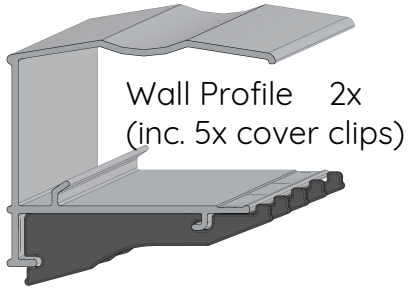
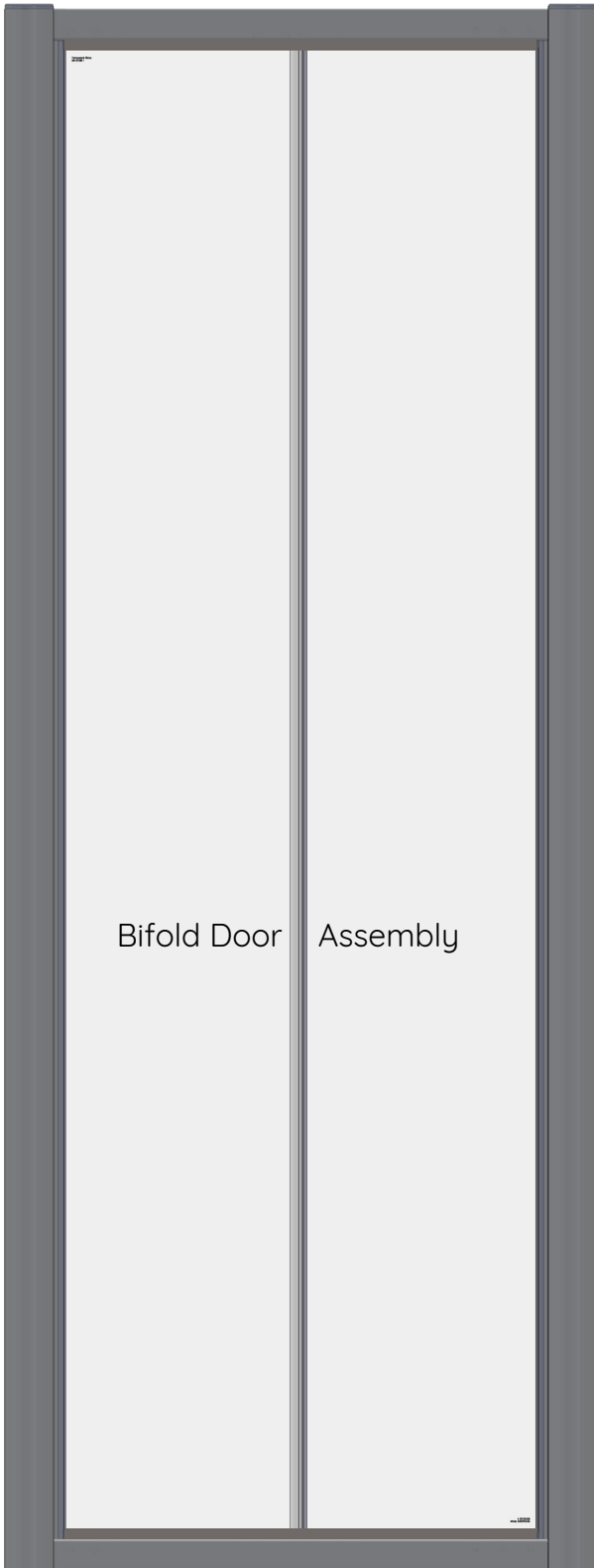
Quality Guarantee : We guarantee Shower Doors & Enclosures against any manufacturing or material defects for the duration of the warranty. We will resolve defects free of charge by repairing / replacing parts as we feel necessary. To be 'free of charge' service work must be carried out by approved agents.

Not Covered by this Guarantee : Damage or defects that result from improper installation, improper use, or lack of maintenance (including limescale buildup). Damage or defects that result from repairs / modifications undertaken by unauthorized persons. This guarantee is in addition to statutory & other legal rights.

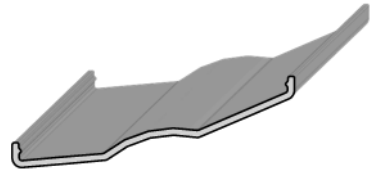
What to do if something goes wrong : Should the product not function correctly on initial use, firstly, contact the installer to check that unit installation & commissioning are in accordance with these instructions. Should this not resolve difficulties or should performance decline, consult 'Troubleshooting' section to see if simple home maintenance is needed. Alternatively our HELPLINE staff can assist, or if necessary arrange for a service engineer to visit.

Spares : We maintain extensive spare part stocks. Spares can be ordered / purchased from your retailer in the first instance. Parts will normally be dispatched within two working days from order placement.

SUPPLIED PARTS :



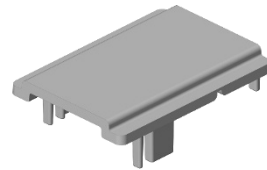
wall side
See fig D



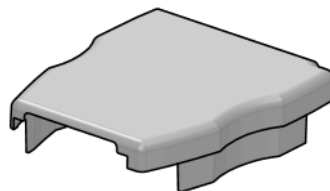
Cover Section 2x



Handle Kit
1x



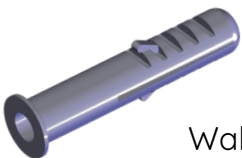
Top Cap (vertical
frame) 2x



Top Cap (wall
profile) 2x



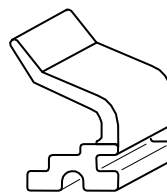
3,5 x 10 pan head self tapping
screw 8x



Wall Plug 8x



4 x 45 pan head self
tapping screw 8x



Frame vertical
seal 2x

SIZE	Adjustment Range A
700 (070)	660–720mm
750 (075)	720–780mm
800 (080)	760–820mm
900 (090)	840–900mm
1000 (100)	940–1000mm

Tools Required

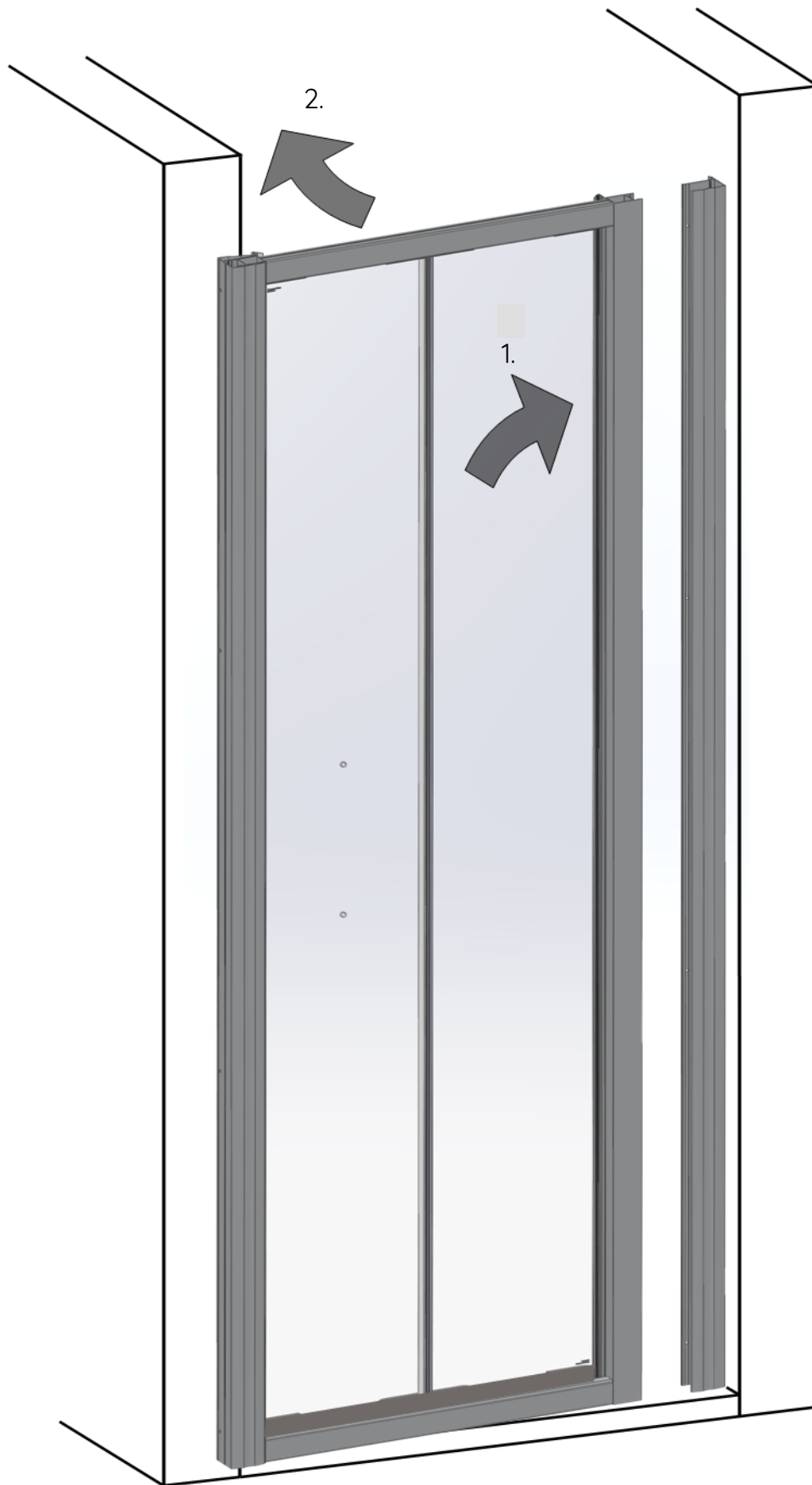
- Spirit Level (with vertical 'bubble')
- Tape Measure
- Pozidriv Screwdriver
- Power drill & 8mm masonry bit
- Pencil
- 3mm HSS drill bit
- 3mm Hexagon (Allen) Key
- Good quality silicone sealant & applicator

Pivot Door is fully reversible, so suitable for fitting with hinge to left or right hand side of enclosure. Ensure tray is correctly levelled & that all tray/wall joints are sealed & cured over entire length of tray sides (See - - - - Fig A) prior to fitting enclosure. **DO NOT SEAL BASE / WALL EDGES UPTO A FITTED ENCLOSURE !**

(A) AFFIX WALL PROFILE

Wall profile orientation : Mounting holes to inside (wet area).
 Measure, plumb & mark wall profile positions, drill, plug & affix 1 wall profile only at this time.

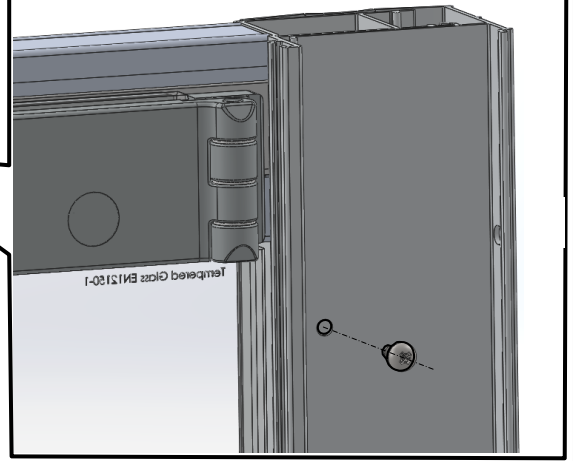
Ⓑ INSERT DOOR



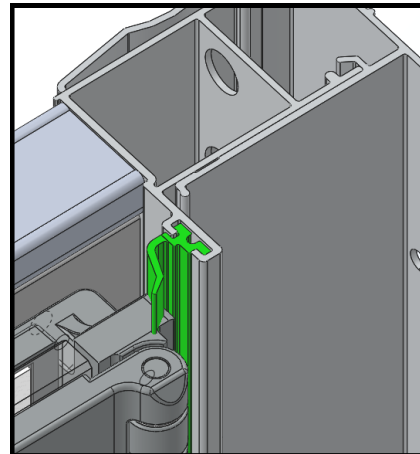
With 2nd wall profile fitted to frame:

1. Carefully lift door onto tray & push into fixed wall profile.
2. At loose side, push back, re-align & affix wall profile to wall using 4 x 45 long screws.

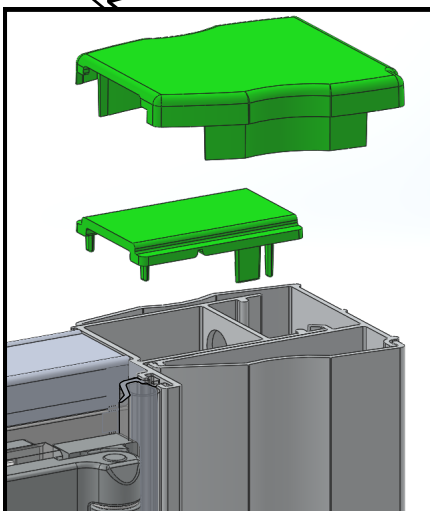
© PLUMB, AFFIX FRAME , SEALS & CAPPING



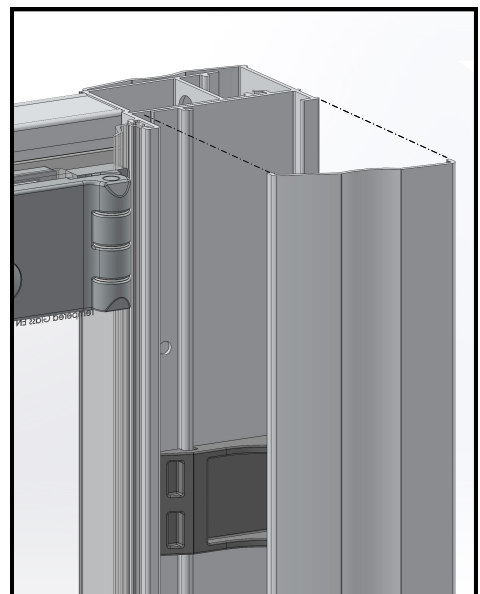
Manipulate & centralise frame in wall mounts until plumb (check vertical & horizontal frame members). With frame in desired position, from inside enclosure, using wall profile holes as a guide, drill dia 3mm pilot holes & affix frame to wall mounts with 4 off 3,5 x 10 self tapping screws per side (8 total).



Fit frame side seals.

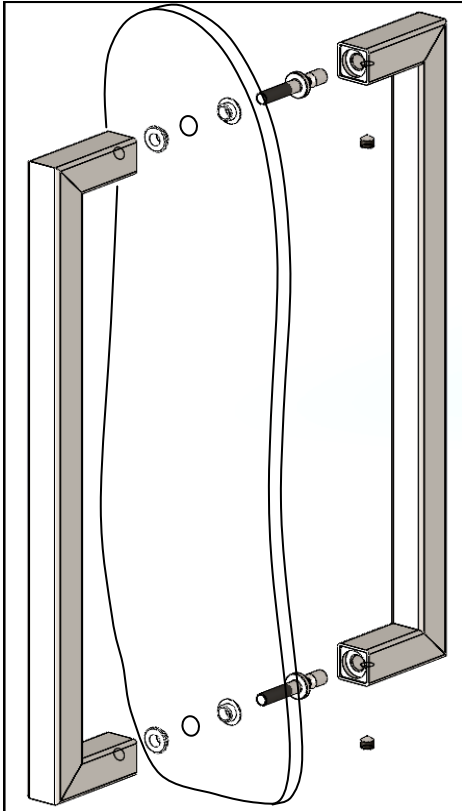


Fit profile cover caps.

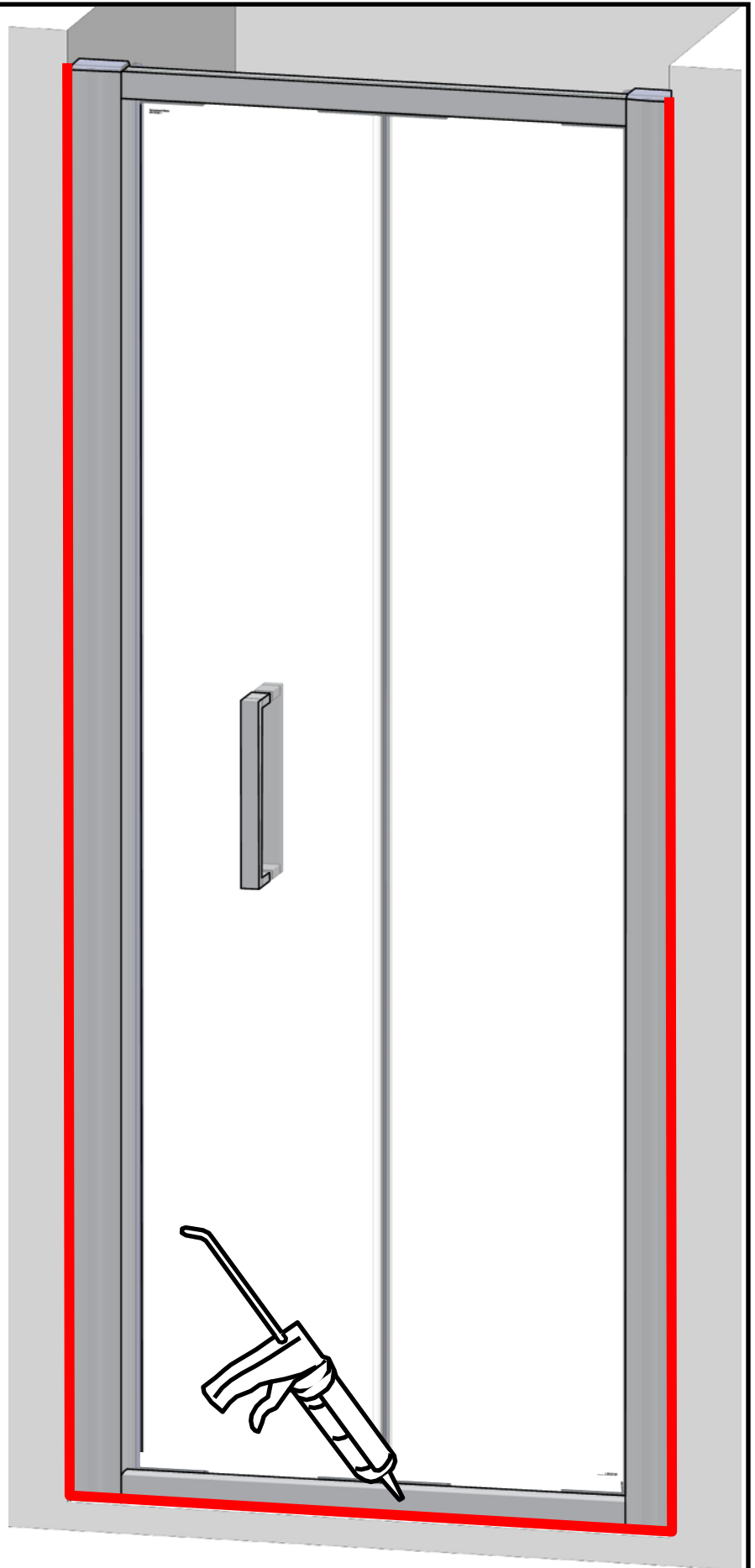


Align top of cover section to top of wall mounts & working from top down, press (snap) covers onto all 5 cover clips.

D FIT HANDLE & SEALING



Assemble handle to glass as shown (grubscrews to inside). Ensure plastic washers are fitted each side beneath handles. Tighten grubscrews fully to retain.



Use of good quality silicone sealant & cleaning / degreasing of all joint areas is recommended.

Apply continuous silicone sealant bead EXTERNALLY ONLY

BASIC TROUBLESHOOTING :

Leakage :

The sealing method described in these instructions relies on a continuous seal being applied between shower walls & tray before installing the enclosure (see fig A), it ensures a watertight seal around the perimeter of the enclosure to the shower walls & tray.

In the unlikely event of an enclosure leak, water will be visible on the outside of the enclosure itself, or around the perimeter joints ONLY. Water / moisture appearing outside this area (ie at floor level) is normally due to incorrect tray installation.

Door motion noisy / door not running smoothly :

Check that the wheels are correctly engaged on tracks & check plumb/level of frame & door alignment, adjust frame if necessary (ref fig C).

Door wheels are factory greased, however over time this may disperse or become contaminated by dust etc, cleaning of tracks & re application of sanitary silicone based grease will restore & ensure smooth door motion.