

Affordable Quality

Prospect is a range of showering spaces and bath screens offering both great quality and great prices.

Created by Lakes Showering Spaces, a leading premium manufacturer, the Prospect range is a perfect value solution that combines elegant designs with quality materials, ease of installation, excellent availability and Lakes' fantastic after-sales service.

Please contact your local merchant or showroom for prices.

Key features and benefits

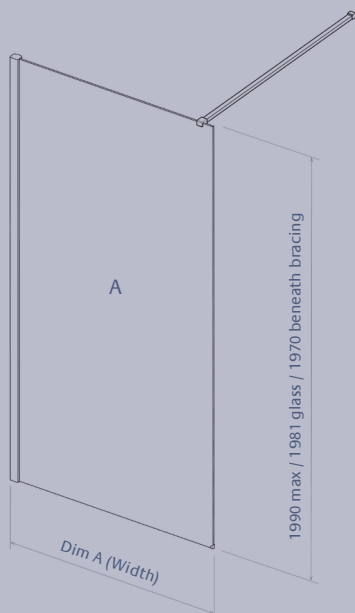
- Easy-clean glass as standard
- 10-year guarantee
- Fully reversible
- Magnetic door closing mechanism
- Enclosure height: 1830mm, shower screen 1990mm, bath screen height 1400-1500 mm
- 40mm total adjustment on doors, 15mm on bath screens and shower screens
- Available in Silver Anodise per EN 12373-1
- Rails: aluminium alloy 6063
- 6mm & 8mm toughened glass to EN 12150-1

8mm Walk-In & Optional Hinged Deflector

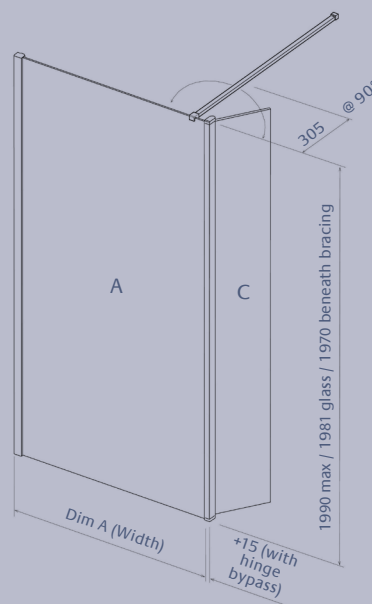


Glass: 8mm Toughened to EN12150-1 AllClear coated all over.
 Rails: Aluminium Alloy 6063.
 Finishes Available: Silver Anodise per EN 12373-1.

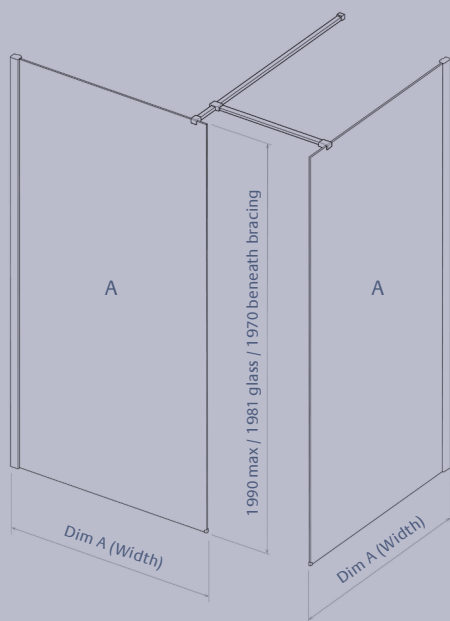
Note: Units are fully reversible. May be fitted to LH (as shown) or RH wall. Units are suitable for tray or wet floor installation. Flexible range of build options is provided by A & C elements - see diagrams / ordering guides.



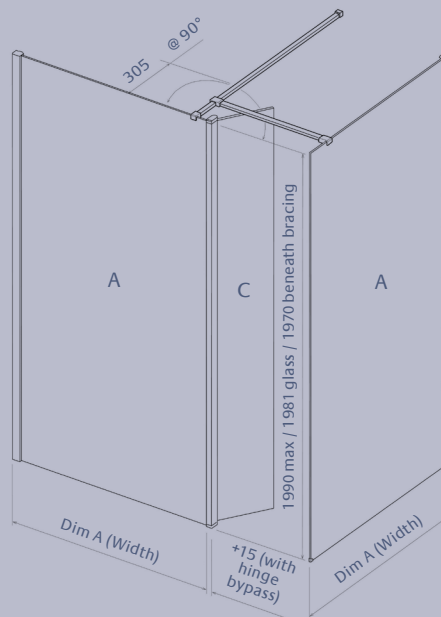
STANDALONE FRONT PANEL:
order A only



FRONT PANEL & HINGE BYPASS:
A + C



FRONT PANEL & SIDE PANEL:
order A + A + 10CSS-62.



FRONT PANEL, HINGE BYPASS & SIDE PANEL:
order A + C + A 10CSS-62.

FRONT / SIDE PANELS

Part Number	Dim A
PW070A	660-675
PW080A	760-775
PW090A	860-875
PW100A	960-975
PW110A	1060-1075
PW120A	1160-1175

HINGE BYPASS PANEL

Part Number	Dim A
PW030C	305

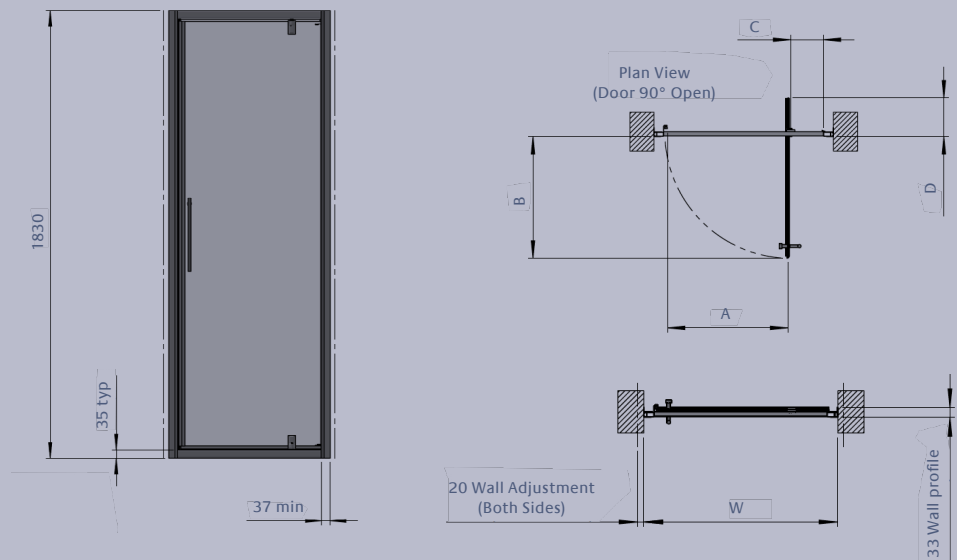
Note: When used, hinge bypass C has the effect of adding 15mm to panel A (width of hinge on glass edge).

Side panel units require additional 90° bar joining kit 10CSS-62.

Semi-framed Pivot Door



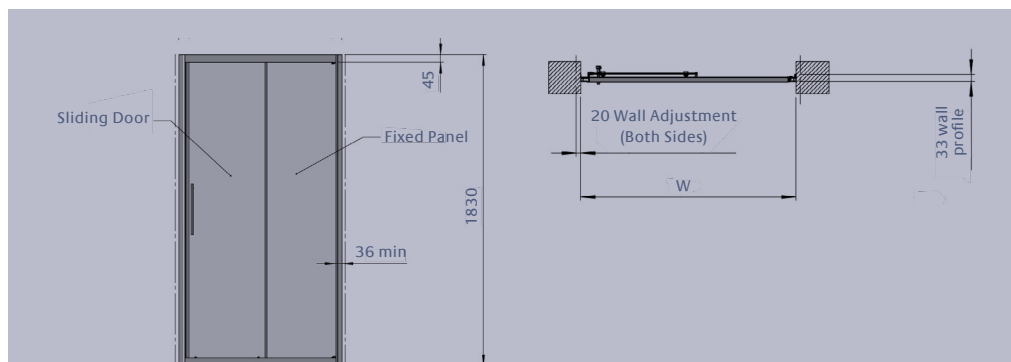
Glass: 6mm Toughened to EN12150-1.
 Rails: Aluminium Alloy 6063. Finishes Available: Silver Anodize per EN 12373-1.



Standard Size	Product Code	Width (W) Min / Max	'A' Door Opening	'B' Door Protrusion	'C' Pivot Position	'D' Internal Protrusion
700	6CP070	660 / 700	440	447	120	143
750	6CP075	710 / 750	490	497	120	143
800	6CP080	760 / 800	520	527	140	163
900	6CP090	860 / 900	590	597	170	193
1000	6CP100	960 / 1000	640	647	220	243

All measurements are in mm

Semi-framed Sliding Door



Glass: 6mm Toughened to EN12150-1.
 Rails: Aluminium Alloy 6063.
 Finishes Available: Silver Anodize per EN 12373-1.

Standard Size	Product Code	Width (W) Min / Max	Door Opening
1000	6CS100	960 / 1000	390
1100	6CS110	1060 / 1100	440
1200	6CS120	1160 / 1200	490
1400	6CS140	1360 / 1400	590
1500	6CS150	1460 / 1500	640
1600	6CS160	1560 / 1600	690
1700	6CS170	1660 / 1700	740

All measurements are in mm

Semi framed sliding door is reversible, door may be positioned to LH (as shown) or RH of enclosure. Frame is fully reversible (ie may be rotated to suit either hand), door requires assembling to appropriate 'hand'.

Note: Unit sizes 100 to 120 are supplied pre assembled, sizes 140 to 170 are kitted.

For ease of cleaning, bottom rollers are 'quick release'.

