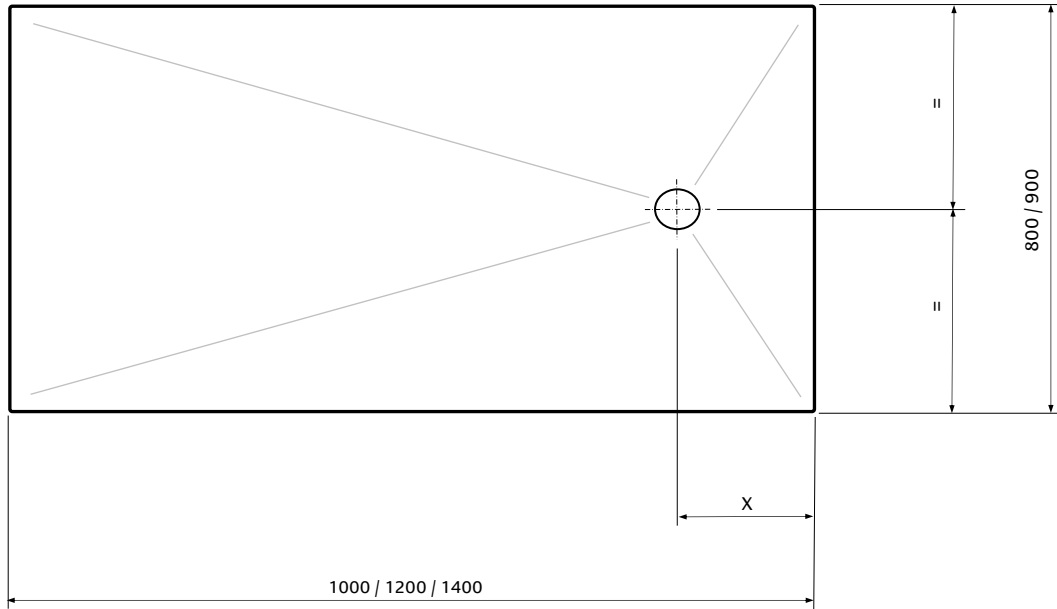


Lakes STONE Trays.

Low Profile (30mm) natural appearance stone resin (incl. high flow waste)

Rectangular



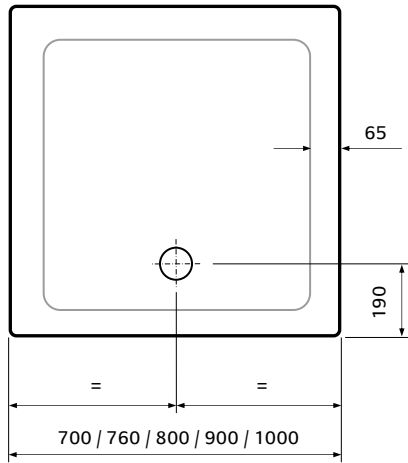
Product Code	Size (mm)	Colour	Waste 90mm high flow (supplied)	Waste position X (mm)	Weight (kg)
QZTR8010AN	1000 x 800	Anthracite	QZT WASTE	250	46
QZTR8010BL	1000 x 800	White	QZT WASTE	250	46
QZTR8010CE	1000 x 800	Cotswold Grey	QZT WASTE	250	46
QZTR8012AN	1200 x 800	Anthracite	QZT WASTE	250	55
QZTR8012BL	1200 x 800	White	QZT WASTE	250	55
QZTR8012CE	1200 x 800	Cotswold Grey	QZT WASTE	250	55
QZTR9012AN	1200 x 900	Anthracite	QZT WASTE	250	62
QZTR9012BL	1200 x 900	White	QZT WASTE	250	62
QZTR9012CE	1200 x 900	Cotswold Grey	QZT WASTE	250	62
QZTR9014AN	1400 x 900	Anthracite	QZT WASTE	350	72
QZTR9014BL	1400 x 900	White	QZT WASTE	350	72
QZTR9014CE	1400 x 900	Cotswold Grey	QZT WASTE	350	72

Lakes Contemporary Lightweight Trays.

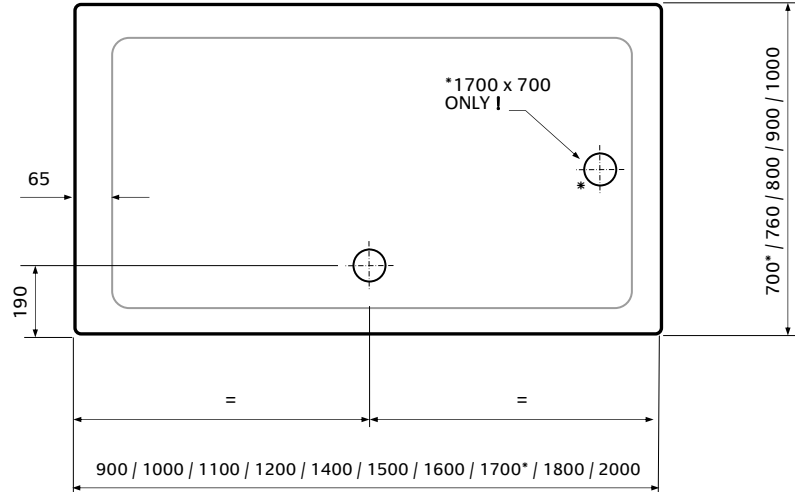
Low Profile (45mm) ABS capped reinforced resin (incl. high flow waste trap).

Contemporary lightweight trays are manufactured with a standard tolerance (+3 to +9mm) to ensure they always slightly exceed nominal sizes, eg. 700mm will measure 703 to 709mm at the top surface, 707 to 713mm at base.

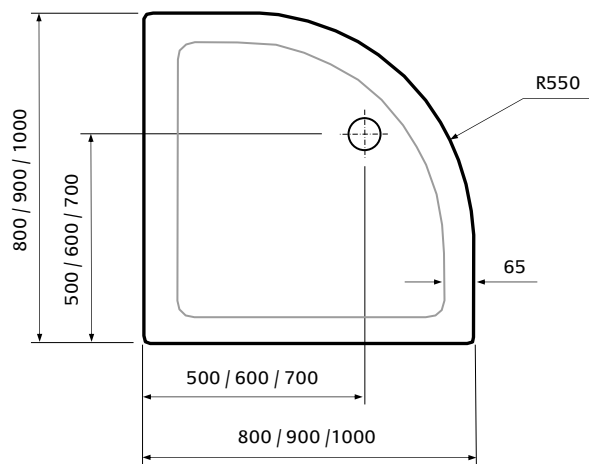
Square



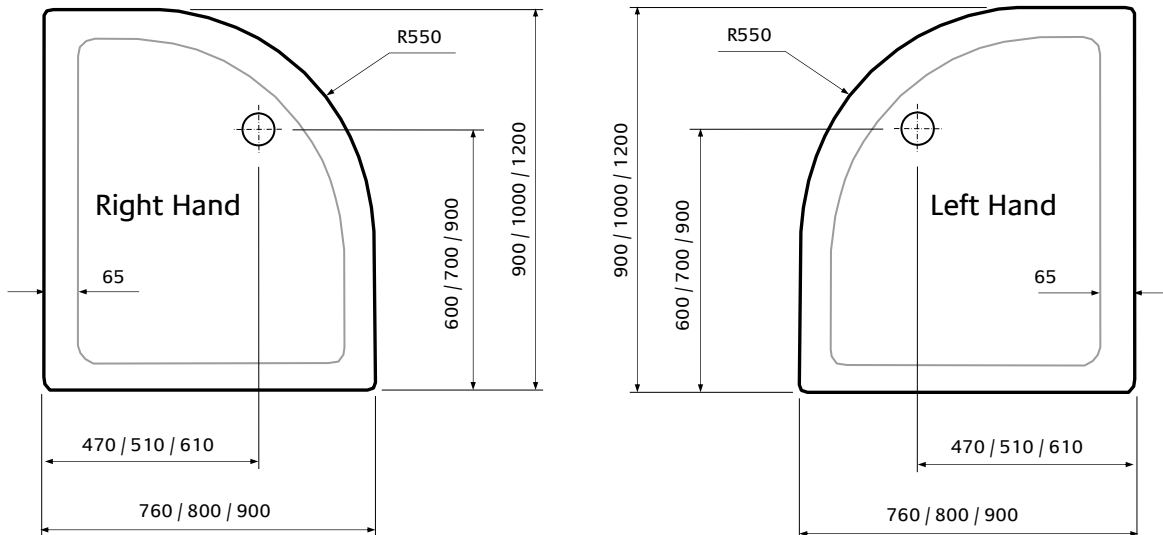
Rectangular



Quadrant

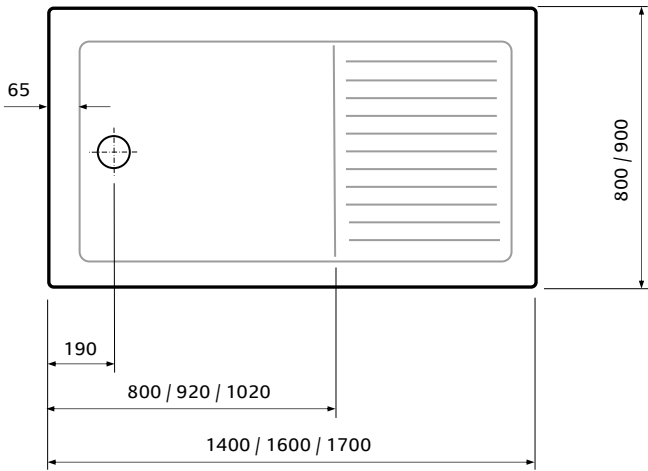


Offset Quadrant

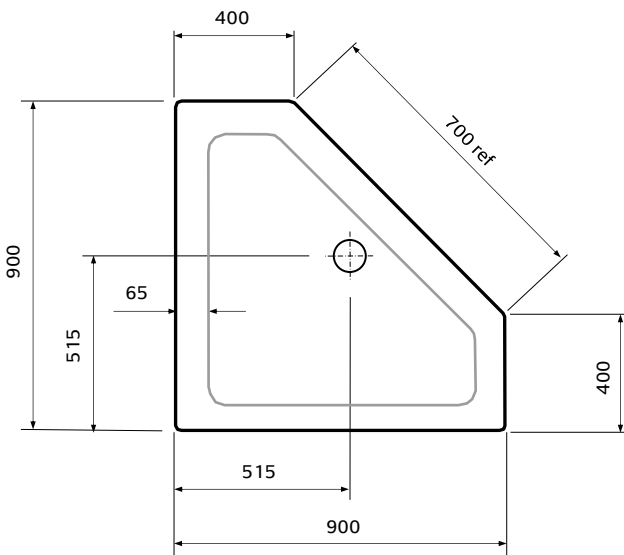


Lakes Contemporary Lightweight Trays. Continued

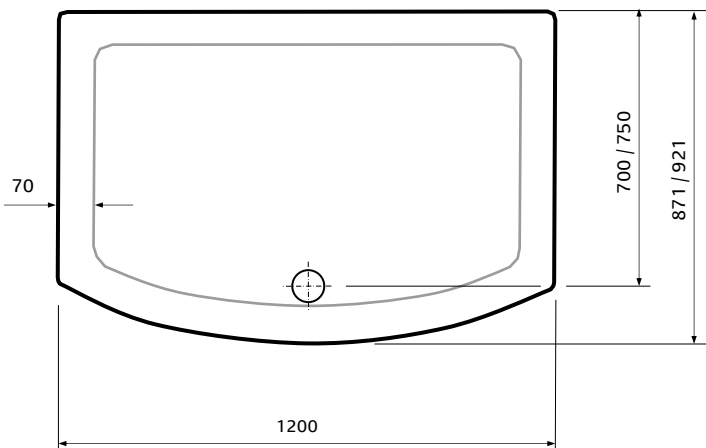
Rectangular Walk In (Square Drying Area)



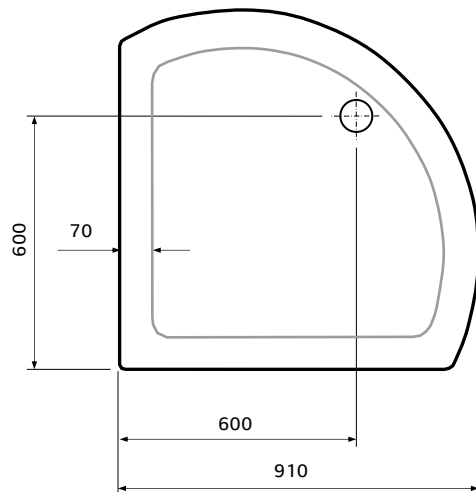
Pentagon



Bowfront Slider



Curved Corner Slider



Lakes Contemporary Lightweight Tray Data

Tray Type	Product Code	Size (mm)	Material / Remarks	Legs & Panel Kit	Weight (kg)
SQUARE	TS77-ENB	700 x 700	ABS capped reinforced polyurethane resin. Supplied with 1x T-WASTE (90mm high flow)	T-EP-KIT-ENH	15
	TS7676-ENC	760 x 760			15
	TS88-END	800 x 800			15
	TS99-ENE	900 x 900			17
	TS11-ENF	1000 x 1000			17
RECTANGULAR	TR9076-ELN	900 x 760	ABS capped reinforced polyurethane resin. Supplied with 1x T-WASTE (90mm high flow)	T-EP-KIT-ENH	16
	TR9080-ELO	900 x 800			16
	TR7010-ELP	1000 x 700			17
	TR7610-ELQ	1000 x 760			17
	TR8010-ELR	1000 x 800			17
	TR9010-ELS	1000 x 900			17
	TR7011-ELT	1100 x 700			T-EP-KIT-ENH & recommend T-EP-KIT-ENK
	TR7611-ELU	1100 x 760		17	
	TR8011-ELV	1100 x 800		17	
	TR9011-ELW	1100 x 900		19	
	TR7012-ELX	1200 x 700		T-EP-KIT-ENI & recommend T-EP-KIT-ENK	19
	TR7612-ELY	1200 x 760			19
	TR8012-ELZ	1200 x 800			19
	TR9012-EMA	1200 x 900			19
	TR1012-EMB	1200 x 1000			19
	TR8014-EMC	1400 x 800			24
	TR9014-EMD	1400 x 900			24
	TR7015-EME	1500 x 700			24
	TR7615-EMF	1500 x 760			24
	TR8015-EMG	1500 x 800			25
	TR9015-EMH	1500 x 900		24	
	TR7016-EMI	1600 x 700		26	
	TR8016-EMJ	1600 x 800		26	
	TR9016-EMK	1600 x 900		26	
	TR7017-EML *	1700 x 700 *		WASTE : Centre of 700 side !	26
	TR7617-EMM	1700 x 760		26	
	TR8017-EMN	1700 x 800		26	
	TR9017-EMO	1700 x 900		26	
	TR1017-EMP	1700 x 1000		26	
	TR8018-EMQ	1800 x 800		28	
	TR9018-EMR	1800 x 900		28	
	TR1018-EMS	1800 x 1000		28	
	TR8020-EMT	2000 x 800		30	
TR9020-EMU	2000 x 900	30			
TR1020-EMV	2000 x 1000	30			

Lakes Contemporary Lightweight Tray Data

Tray Type	Product Code	Size (mm)	Material / Remarks	Legs & Panel Kit	Weight (kg)	
QUADRANT	TQ88-ELA	800 x 800	ABS capped reinforced polyurethane resin. Supplied with 1x T-WASTE (90mm high flow)	T-EP-KIT-ENJ	13	
	TQ99-ELB	900 x 900			16	
	TQ11-ELC	1000 x 1000			19	
OFFSET QUADRANT	TQ9076L-ELD	900 x 760	ABS capped reinforced polyurethane resin. Supplied with 1x T-WASTE (90mm high flow)	T-EP-KIT-ENJ	15	
	TQ9076R-ELE					
	TQ9080L-ELF	900 x 800			15	
	TQ9080R-ELG					
	TQ8010L-ELH	1000 x 800			16	
	TQ8010R-ELI					
	TQ8012L-ELJ	1200 x 800			T-EP-KIT-ENJ & recommend T-EP-KIT-ENK	21
	TQ8012R-ELK					
	TQ9012L-ELL	1200 x 900			21	
TQ9012R-ELM						
RECTANGULAR Walk In (Square form)	TW9014-EMW	1400 x 900	ABS capped reinforced polyurethane resin. Supplied with 1x T-WASTE (90mm high flow)	T-EP-KIT-ENI & recommend T-EP-KIT-ENK	24	
	TW8016-EMX	1600 x 800			26	
	TW8017-EMY	1700 x 800			26	
PENTAGON	TP99-ENG	900 x 900	ABS capped reinforced polyurethane resin. Supplied with 1x T-WASTE (90mm high flow)	T-EP-KIT-ENH	14	

MAXIMUM WEIGHT LIMIT FOR TRAYS:- 225kg (35 Stone) straight to floor. / 160kg (25 Stone) raised on legs.
All trays CE compliant with EN14527:2016. Declaration of Performance DP-11 (Available on request)

Easy Plumb

Comprising ALL legs, panels & fixings.

Order Code	Description	Comments
T-EP-KIT-ENH	Square, Pentagon & Rectangular up to & incl. 1200mm	
T-EP-KIT-ENI	Rectangular > 1200mm to 2000mm	+ T-EP-KIT-ENK Baseboard kit
T-EP-KIT-ENJ	All Quadrants (including offsets)	
T-EP-KIT-ENK *	Baseboard kit (for all trays > 1200mm)	* see note

* **Baseboard kit** : use whenever tray measure exceeds 1200mm. Alternatively construct a fully supporting 100mm (4") tall (minimum) timber & water resistant 19mm plywood (3/4") topped platform to match tray shape on which to adhere tray directly.

Optional extras.

Order Code	Description
T-FLEXI-PIPE	Flexible waste outlet pipe (only for use with T-WASTE)
T-SEALING-STRIP	Flexible sealing strip (tiling upstand) - 2.8m length

Bespoke (40mm) Reinforced Resin Trays

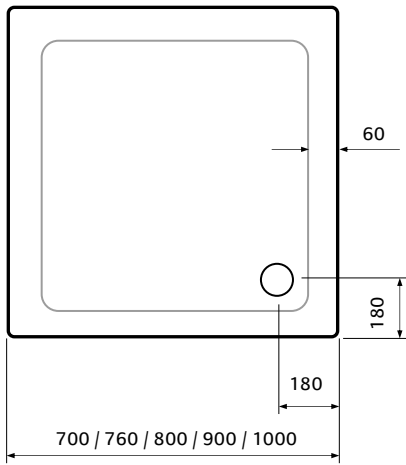
Tray Type	Product Code	Size (mm)	Material / Remarks	Legs & Panel Kit	Weight (kg)
BOWFRONT SLIDER	LKTBF700	1200 x 871	ABS capped reinforced polyurethane resin. Supplied with 1x T-WASTE (90mm high flow)	LKT EP KIT 6	10.5
	LKTBF750	1200 x 921			11.5
CURVED CORNER SLIDER	LKTSDQ900	910 x 910	ABS capped reinforced polyurethane resin. Supplied with 1x T-WASTE (90mm high flow)	LKT EP KIT 5	8

MAXIMUM WEIGHT LIMIT FOR TRAYS:- 225kg (35 Stone) straight to floor. / 160kg (25 Stone) raised on legs.
All trays CE compliant with EN14527:2016. Declaration of Performance DP-09 (Available on request)

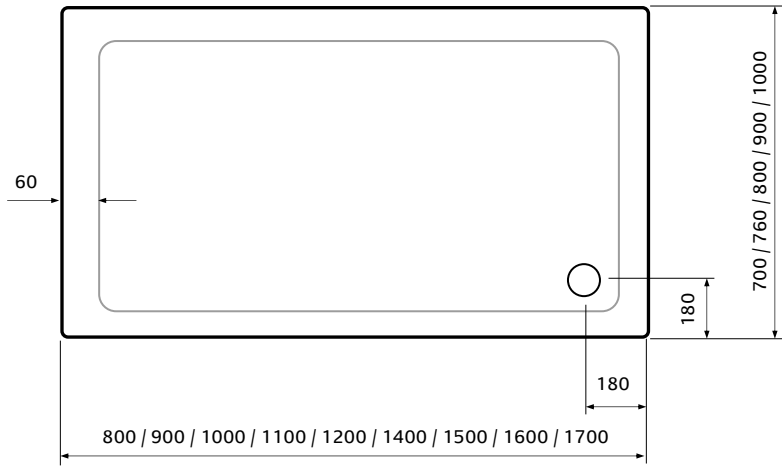
Lakes Traditional Stone Resin Trays.

Standard Height (80mm) ABS capped stone resin (incl. waste trap)

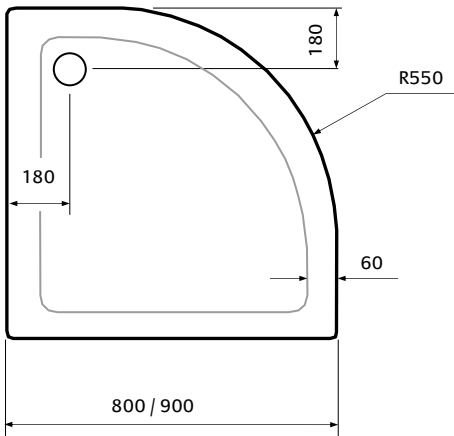
Square



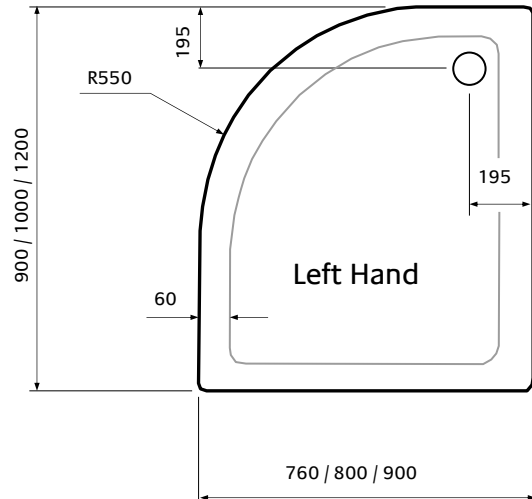
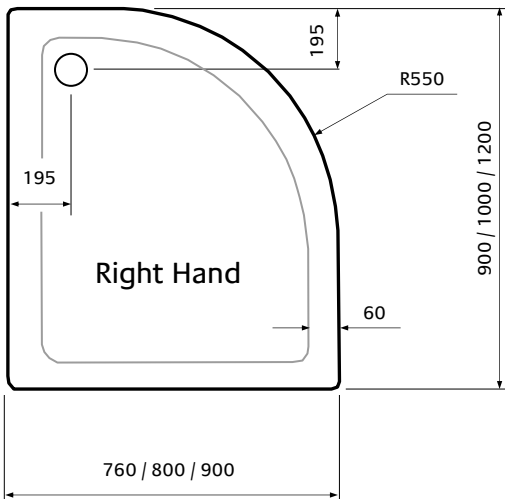
Rectangular



Quadrant



Offset Quadrant



Lakes Traditional Stone Resin Tray Data—Standard Height (80mm)

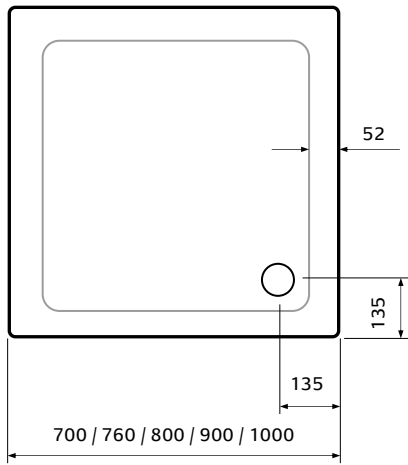
Tray Type	Product Code	Size (mm)	Material / Remarks	Legs & Panel Kit	Weight (kg)
SQUARE	ZZTS77	700 x 700	ABS capped stone resin. Supplied with 1x ZT WASTE (50mm)	AZT EP KIT SR12	32.5
	ZZTS7676	760 x 760			30.5
	ZZTS88	800 x 800			32.5
	ZZTS99	900 x 900			41.5
	ZZTS11	1000 x 1000		AZT EP KIT SR17	47.5
RECTANGULAR	ZZTR7080	800 x 700	ABS capped stone resin. Supplied with 1x ZT WASTE (50mm)	AZT EP KIT SR12	31.5
	ZZTR7090	900 x 700			31.5
	ZZTR9076	900 x 760			35.5
	ZZTR9080	900 x 800			39.5
	ZZTR7010	1000 x 700			39.5
	ZZTR7610	1000 x 760			39.5
	ZZTR8010	1000 x 800			41.5
	ZZTR9010	1000 x 900			47.5
	ZZTR7011	1100 x 700			39.5
	ZZTR7611	1100 x 760			41.5
	ZZTR8011	1100 x 800			51.5
	ZZTR7012	1200 x 700			46.5
	ZZTR7612	1200 x 760			47.5
	ZZTR8012	1200 x 800			49.5
	ZZTR9012	1200 x 900			55.5
	ZZTR1012	1200 x 1000		AZT EP KIT SR17	65.5
	ZZTR8014	1400 x 800		57.5	
	ZZTR9014	1400 x 900		69.5	
ZZTR7615	1500 x 760	57.5			
ZZTR8016	1600 x 800	69.5			
ZZTR7017	1700 x 700	61.5			
QUADRANT	ZZTQ88	800 x 800	ABS capped stone resin. Supplied with 1x ZT WASTE (50mm)	AZT EP KIT Q10	30.5
	ZZTQ99	900 x 900			39.5
OFFSET QUADRANT	ZZTQ9076L	900 x 760	ABS capped stone resin. Supplied with 1x ZT WASTE (50mm)	AZT EP KIT Q12	32.5
	ZZTQ9076R				
	ZZTQ9080L	900 x 800			33.5
	ZZTQ9080R				
	ZZTQ8010L	1000 x 800			37.5
	ZZTQ8010R				
	ZZTQ8012L	1200 x 800			46.5
	ZZTQ8012R				
	ZZTQ9012L	1200 x 900			55.5
ZZTQ9012R					

MAXIMUM WEIGHT LIMIT FOR TRAYS:- 225kg (35 Stone) straight to floor. / 160kg (25 Stone) raised on legs.
All trays CE compliant with EN14527:2016. Declaration of Performance DP-10 (Available on request)

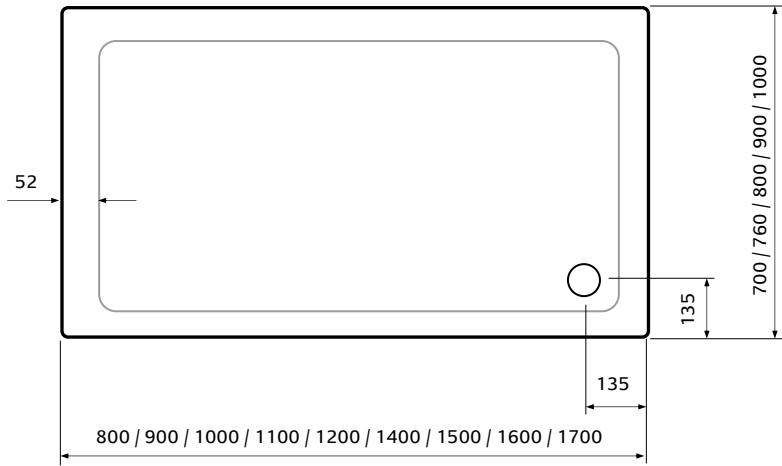
Lakes Traditional Stone Resin Trays.

Low Profile (45mm) ABS capped stone resin (incl. high flow waste trap).

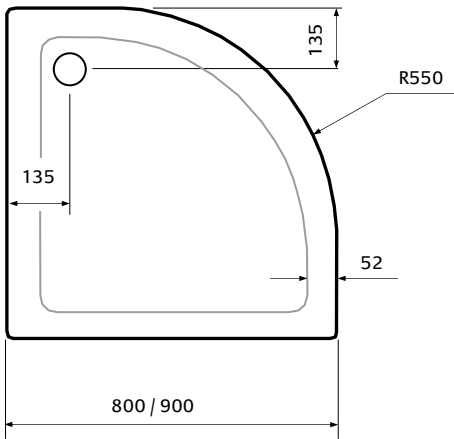
Square



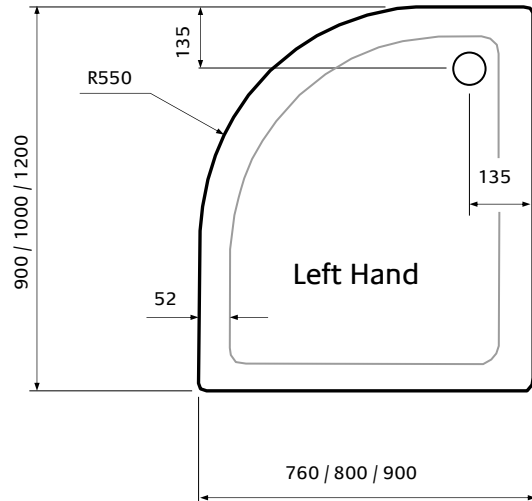
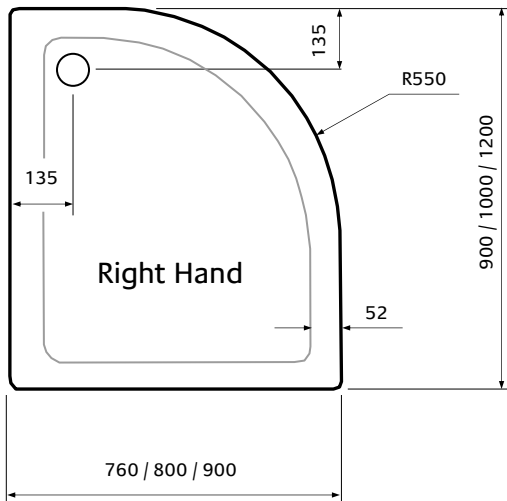
Rectangular



Quadrant



Offset Quadrant



Lakes Traditional Stone Resin Tray Data—Low Profile (45mm)

Tray Type	Product Code	Size (mm)	Material / Remarks	Legs & Panel Kit	Weight (kg)
SQUARE	AATS7676	760 x 760	ABS capped stone resin. Supplied with 1x T-WASTE (90mm high flow)	AZT EP KIT SR12	25
	AATS88	800 x 800			25
	AATS99	900 x 900			35
	AATS11	1000 x 1000		AZT EP KIT SR17	37
RECTANGULAR	AATR8070	800 x 700	ABS capped stone resin. Supplied with 1x T-WASTE (90mm high flow)	AZT EP KIT SR12	25
	AATR9070	900 x 700			35
	AATR9076	900 x 760			32
	AATR9080	900 x 800			32
	AATR7010	1000 x 700			36
	AATR7610	1000 x 760			36
	AATR8010	1000 x 800			37
	AATR9010	1000 x 900			37
	AATR7612	1200 x 760			40
	AATR8012	1200 x 800			37
	AATR9012	1200 x 900			45
	AATR9014	1400 x 900			AZT EP KIT SR17
	AATR7015	1500 x 700		48	
	AATR9015	1500 x 900		52	
	AATR7016	1600 x 700		48	
	AATR7616	1600 x 760		46	
	AATR8016	1600 x 800		45	
	AATR9016	1600 x 900		53	
AATR7017	1700 x 700	52			
AATR9017	1700 x 900	57			
QUADRANT	AATQ88	800 x 800	ABS capped stone resin. Supplied with 1x T-WASTE (90mm high flow)	AZT EP KIT Q10	25
	AATQ99	900 x 900			30
OFFSET QUADRANT	AATQ9076L	900 x 760	ABS capped stone resin. Supplied with 1x T-WASTE (90mm high flow)	AZT EP KIT Q12	29
	AATQ9076R				
	AATQ8010L	1000 x 800			31
	AATQ8010R				
	AATQ8012L	1200 x 800			40
	AATQ8012R				
	AATQ9012L	1200 x 900			48
AATQ9012R					

Easy Plumb Kits for Stone Resin Trays (nominally 95mm tall)

Comprising ALL legs, panels & fixings.

Order Code	Description
AZT EP KIT SR12	Square / Rectangular (1200 x 900mm)
AZT EP KIT SR17	Square / Rectangular (1700 x 1000mm)
AZT EP KIT Q10	Quadrant (1000mm)
AZT EP KIT Q12	Offset Quadrant (1200mm)

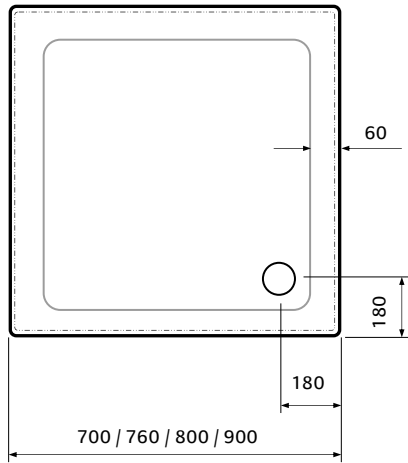
MAXIMUM WEIGHT LIMIT FOR TRAYS:-
225kg (35 Stone) straight to floor.
160kg (25 Stone) raised on legs.

All trays CE compliant with EN14527:2016.
Declaration of Performance DP-10 (Available on request)

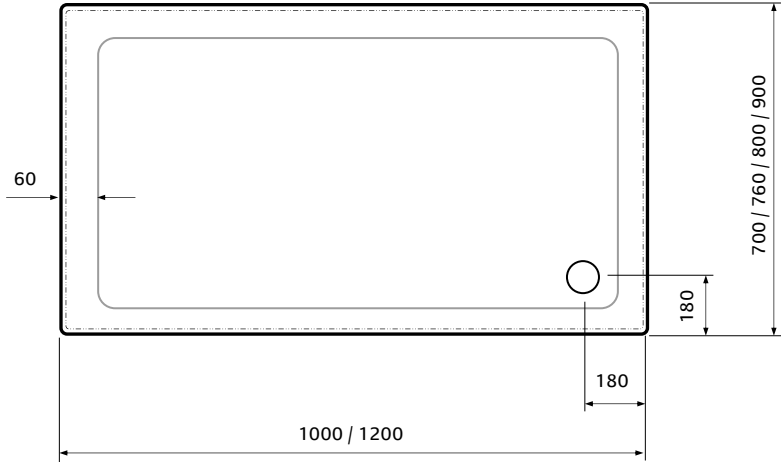
Lakes Traditional Stone Resin Trays with 4 tiling upstands

Standard Height (80mm) ABS capped stone resin (incl. waste trap).

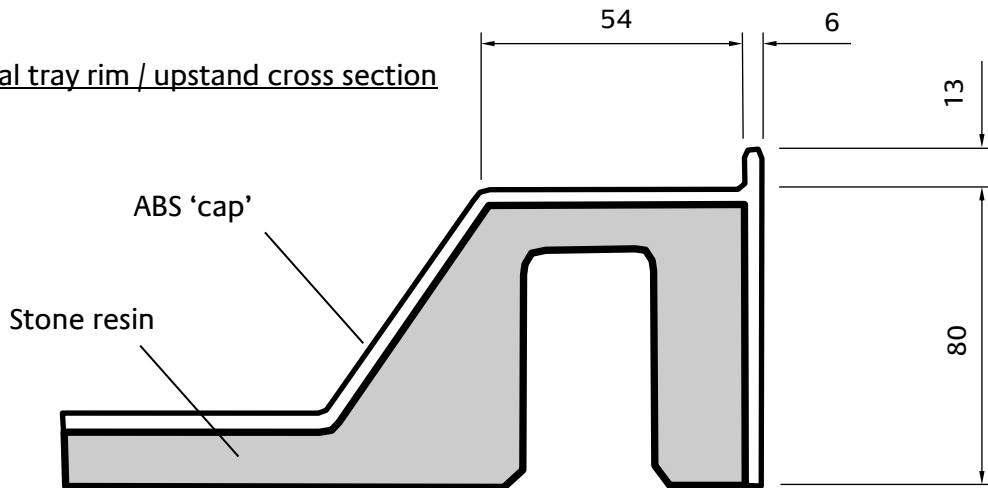
Square



Rectangular



Typical tray rim / upstand cross section



Tray Type	Product Code	Size (mm)	Material / Remarks	Legs & Panel Kit	Weight (kg)
SQUARE	ZZTS4U77	700 x 700	ABS capped stone resin. Supplied with 1x ZZT WASTE (50mm outlet trap)	AZT EP KIT SR12	32.5
	ZZTS4U7676	760 x 760			30.5
	ZZTS4U88	800 x 800			32.5
	ZZTS4U99	900 x 900			41.5
RECTANGULAR	ZZTR4U7010	1000 x 700	ABS capped stone resin. Supplied with 1x ZZT WASTE (50mm outlet trap)	AZT EP KIT SR12	39.5
	ZZTR4U7610	1000 x 760			39.5
	ZZTR4U7012	1200 x 700			46.5
	ZZTR4U7612	1200 x 760			47.5
	ZZTR4U8012	1200 x 800			49.5
	ZZTR4U9012	1200 x 900			55.5

Other 'upstand' tray sizes may be considered—Consult Lakes Bathrooms for availability.

MAXIMUM WEIGHT LIMIT FOR TRAYS:- 225kg (35 Stone) straight to floor. / 160kg (25 Stone) raised on legs.
All trays CE compliant with EN14527:2016. Declaration of Performance DP-10 (Available on request)

Easy Plumb Kits for Stone Resin Upstand Trays (nom. 95mm tall)

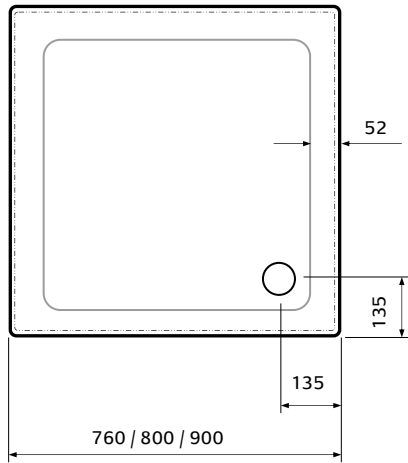
Comprising ALL legs, panels & fixings.

Order Code	Description
AZT EP KIT SR12	Square / Rectangular (1200 x 900mm)

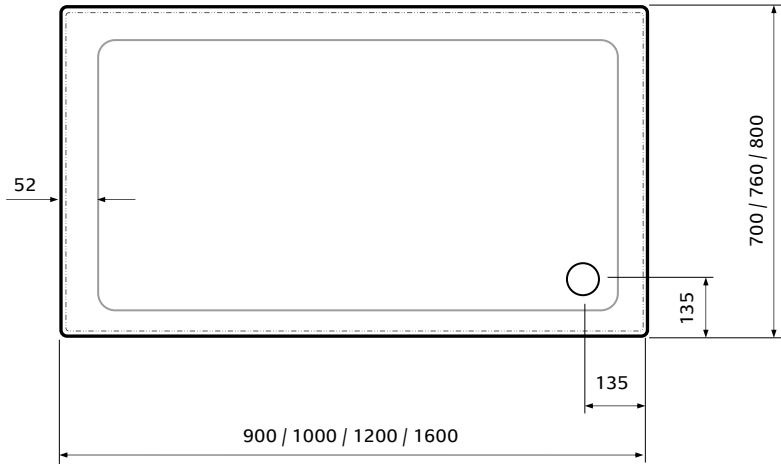
Lakes Traditional Stone Resin Trays with 4 tiling upstands

Low Profile (40mm) ABS capped resin (incl. high flow waste trap).

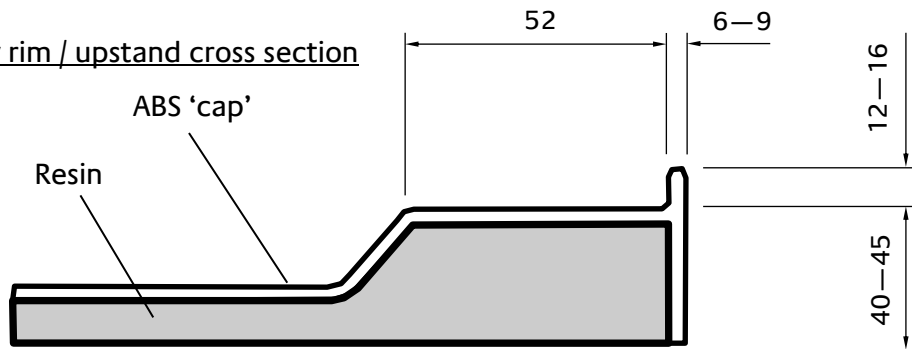
Square



Rectangular



Typical tray rim / upstand cross section



Tray Type	Product Code	Size (mm)	Material / Remarks	Legs & Panel Kit	Weight (kg)
SQUARE	LFTS4U7676	760 x 760	ABS capped resin. Supplied with 1x T-WASTE (90mm high flow)	LFT EP KIT SR12	26.5
	LFTS4U88	800 x 800			31.5
	LFTS4U99	900 x 900			36.5
RECTANGULAR	LFTR4U9076	900 x 760	ABS capped stone resin. Supplied with 1x T-WASTE (90mm high flow)	LFT EP KIT SR12	33
	LFTR4U7010	1000 x 700			31.5
	LFTR4U8010	1000 x 800			35.5
	LFTR4U7612	1200 x 760			42
	LFTR4U8012	1200 x 800			51
	LFTR4U8016	1600 x 800		LFT EP KIT SR17	57.5

Other 'upstand' tray sizes may be considered—Consult Lakes Bathrooms for availability.

Easy Plumb Kits for Lightweight Resin Upstand Trays (nom. 95mm)

Comprising ALL legs, panels & fixings.

Order Code	Description
LFT EP KIT SR12	Square / Rectangular (1200 x 900mm)
LFT EP KIT SR17	Rectangular (1700 x 1000mm)

Wastes

(available to order separately)

MAXIMUM WEIGHT LIMIT FOR TRAYS:-
 225kg (35 Stone) straight to floor.
 160kg (25 Stone) raised on legs.
 All trays CE compliant with EN14527:2016.
 Declaration of Performance DP-10 (Available on request)

Order Code	Description	Max. Flow Rate
ZZT WASTE	50mm Waste (All 80mm Stone Resin Trays)	38 L/Min.
T WASTE	90mm Waste (All Low Profile Trays)	32 L/Min.