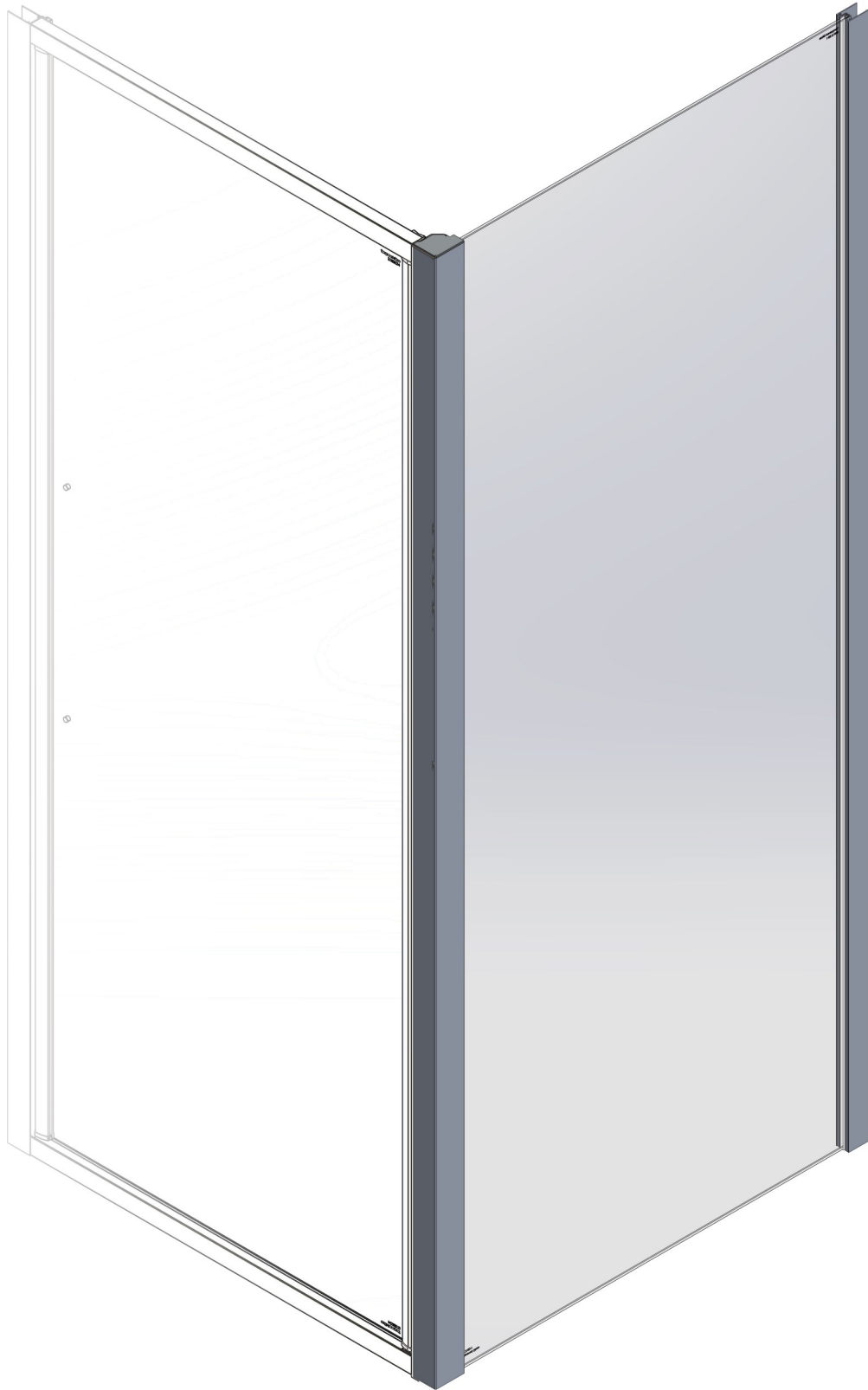


# Bay Series Side Panel

## Installation & Maintenance Instructions

Rev. 08.18



**LAKES**  
SHOWERING SPACES

## **IMPORTANT NOTES :**

Please read carefully & retain these instructions for future reference.

1. For ease & safety we advise that two persons assemble this product.
2. Protect shower tray surfaces at all times.
3. Exposed glass corners / edges **MUST NOT** contact hard surfaces at any time.
4. Check for cables, pipes etc before drilling walls.
5. Ensure all surfaces are dry, clean & free of loose debris / dust.
6. Unpack goods with care (small parts can become lodged in packaging & inadvertently discarded). Check parts supplied against parts & fittings listed herein. Damaged parts / omissions may be resolved by calling Lakes Bathrooms Helpline.
7. Whilst precautions are taken in manufacture, care must be taken when handling as rail ends may have sharp edges.
8. Before commencing, check :
  - a) shower tray is level & completely sealed to finished / tiled walls.
  - b) finished walls are sound & free of cracks loose tiles / grout.
9. **AFTER INSTALLATION, DO NOT 'WET' ENCLOSURE FOR 48 HOURS (ENSURE FULL CURE OF SILICONE SEALANT).**

## **USE :**

### **General Care & Maintenance.**

Provided this product is installed & operated in accordance with these instructions, problems should not arise. However should maintenance be required it should be carried out by a competent person with reference to these instructions. Before any work is carried out the root cause of the problem must be identified. Lakes Bathrooms service engineers are available if necessary to consult / carry out remedial work. Call Lakes Bathrooms HELPLINE.

### **Cleaning.**

(Every one to two weeks depending on local water {hardness} conditions).

All glass panels in this product have a hydrophobic coating aiding 'runoff' of water droplets, reducing the need for frequent cleaning. For best appearance / product life however, regular cleaning is recommended.

Use **ONLY** mild soap / detergent solutions to clean. Rinse with water, squeegee glass panels & wipe frames dry with a soft cloth. Under no circumstances should abrasive, caustic or scouring products be used. Non compliance with these cleaning instructions may cause decorative finishes to deteriorate & could adversely affect safe operation of the enclosure.

Limescale ~ should a build up of limescale occur, remove using a 50:50 solution of white vinegar & water applied with a soft cloth & rinsed / dried thoroughly afterwards.

### **Daily Care.**

To prevent the build up of limescale, do not allow water droplets to dry on glass or frames. After showering, rinse with water, remove droplets from glass with a squeegee & wipe frame with a soft cloth.

### **Customer Service.**

Quality Guarantee : Lakes Bathrooms Ltd guarantee Shower Doors & Enclosures against any manufacturing or material defects for the lifetime of the product. We will resolve defects free of charge by repairing / replacing parts as we feel necessary. To be 'free of charge' service work must be carried out by Lakes Bathrooms or approved agents.

Seals are considered 'wear & tear' parts, as such, they are guaranteed for 12 months from purchase.

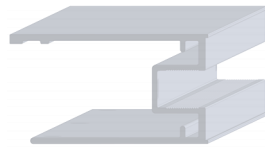
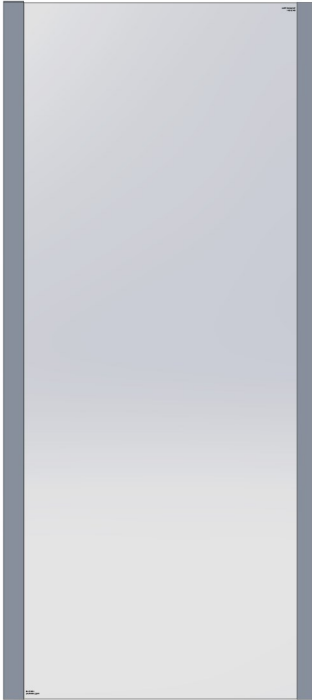
Not Covered by this Guarantee : Damage or defects that result from improper installation, improper use, or lack of maintenance (including limescale buildup). Damage or defects that result from repairs / modifications undertaken by unauthorized persons. This guarantee is in addition to statutory & other legal rights.

**What to do if something goes wrong :** Should the product not function correctly on initial use, firstly, contact the installer to check that unit installation & commissioning are in accordance with these instructions. Should this not resolve difficulties or should performance decline, consult 'Troubleshooting' section to see if simple home maintenance is needed. Alternatively our HELPLINE staff can assist, or if necessary arrange for a service engineer to visit.

Spares : We maintain extensive spare part stocks. Spares can be ordered / purchased from your retailer in the first instance. Parts will normally be dispatched within two working days from order placement.

**SUPPLIED PARTS :**

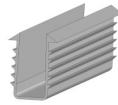
Main Panel Sub Assy 1x  
(comprising):



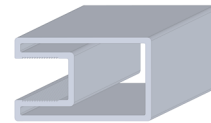
Vertical Frame Rail (1950mm 1x)



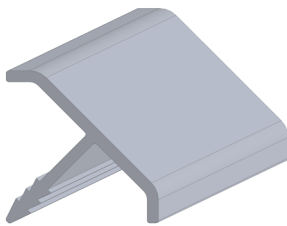
Corner Post Assy 1950mm (1x)



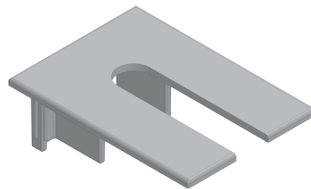
Vertical Glazing Seal (2x)



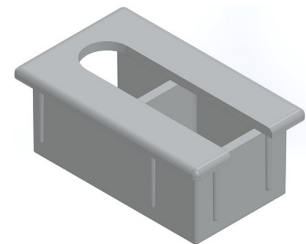
Vertical Glazing Profile (1950mm 1x)



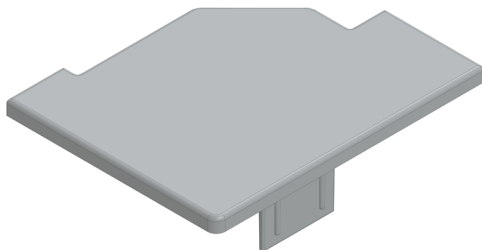
Corner Post Cover Profile (1x)



Door Top Cap (1x)



Glazing Profile Top Cap (1x)



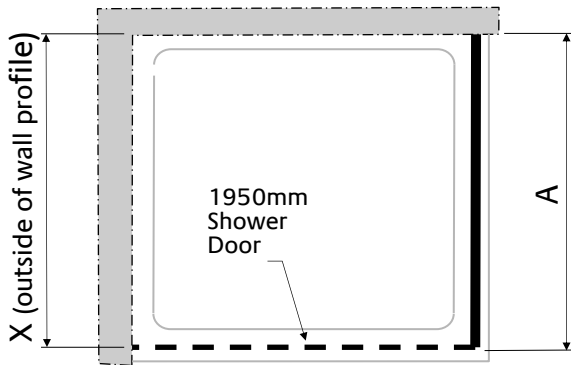
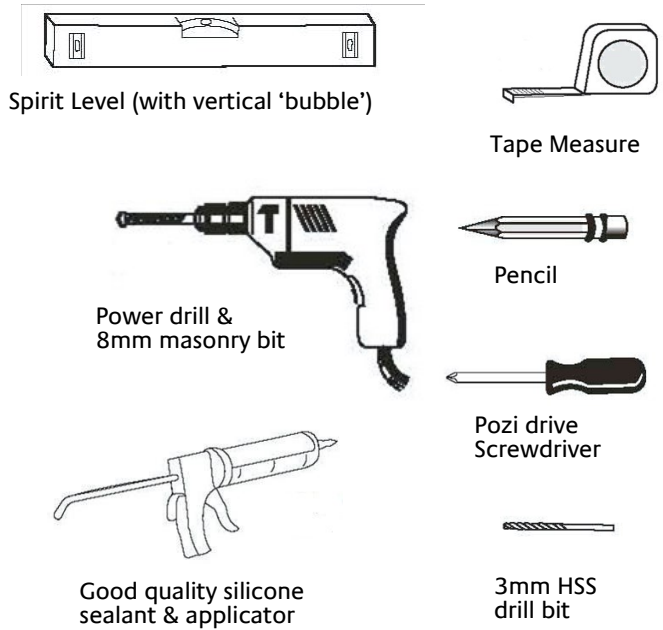
Corner Post Top Cap (Handed Pair)



3,5 x 10 long Pan Head self tapping screw (6x)

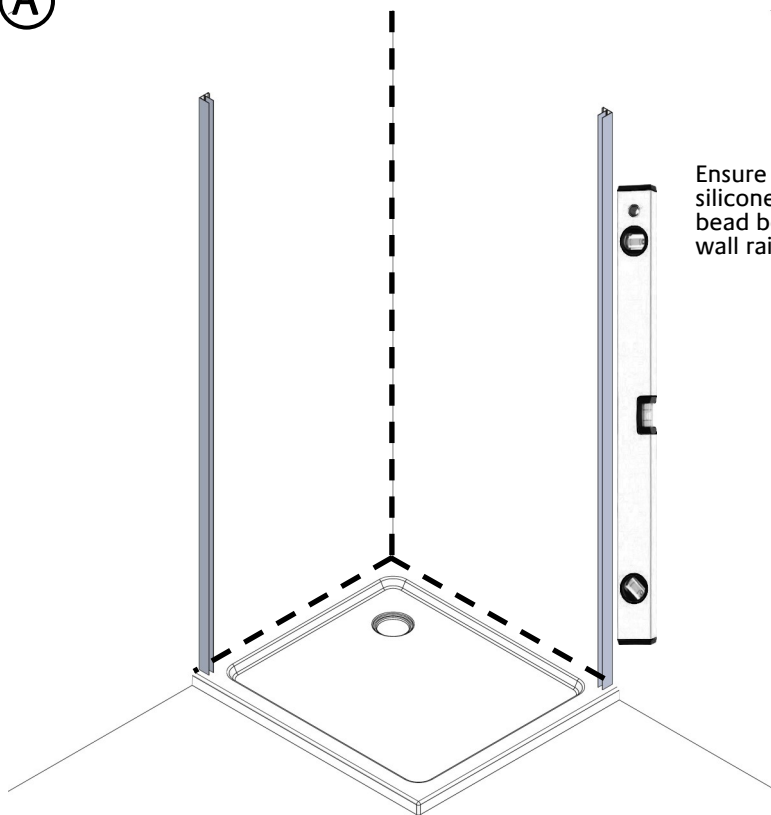
Size	Adjustment 'A' (mm)	Wall Profile Position 'X'
700 (070)	665 - 700	682
750 (075)	715 - 750	732
800 (080)	765 - 800	782
900 (090)	865 - 900	882
1000 (100)	965 - 1000	982

### Tools Required

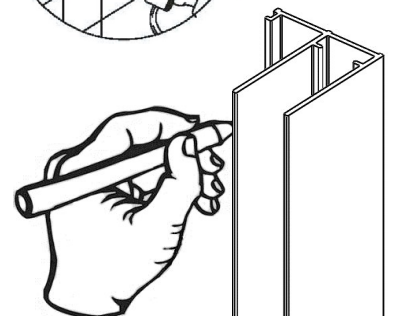
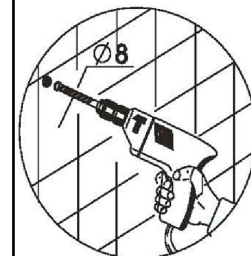
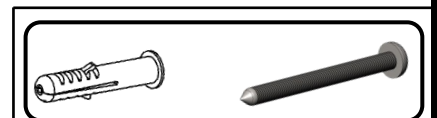
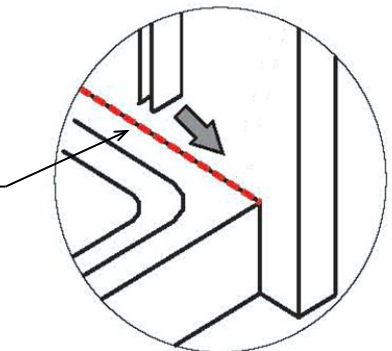


Ensure tray is correctly levelled & that tray / wall (tile) joints are sealed & cured over entire length of tray sides (See Fig A) prior to fitting enclosure.  
**DO NOT SEAL TRAY EDGES UPTO A FITTED ENCLOSURE !**

### A AFFIX WALL PROFILES:



Ensure continuous silicone sealant bead before fitting wall rails

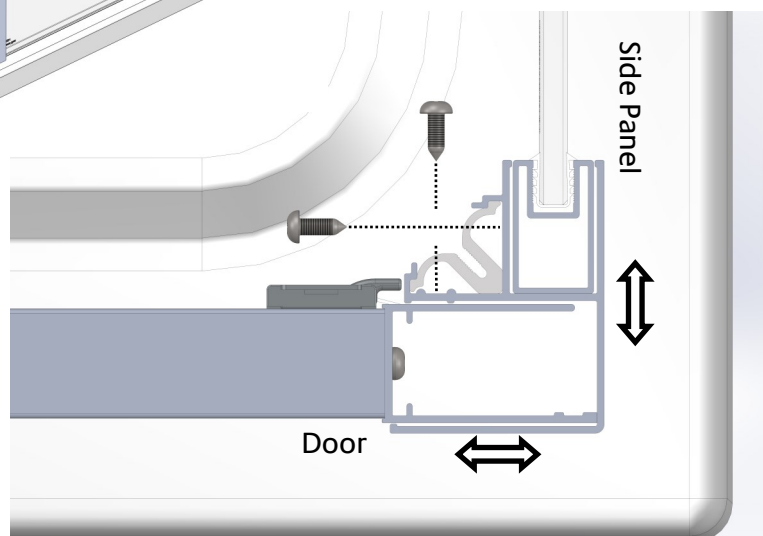


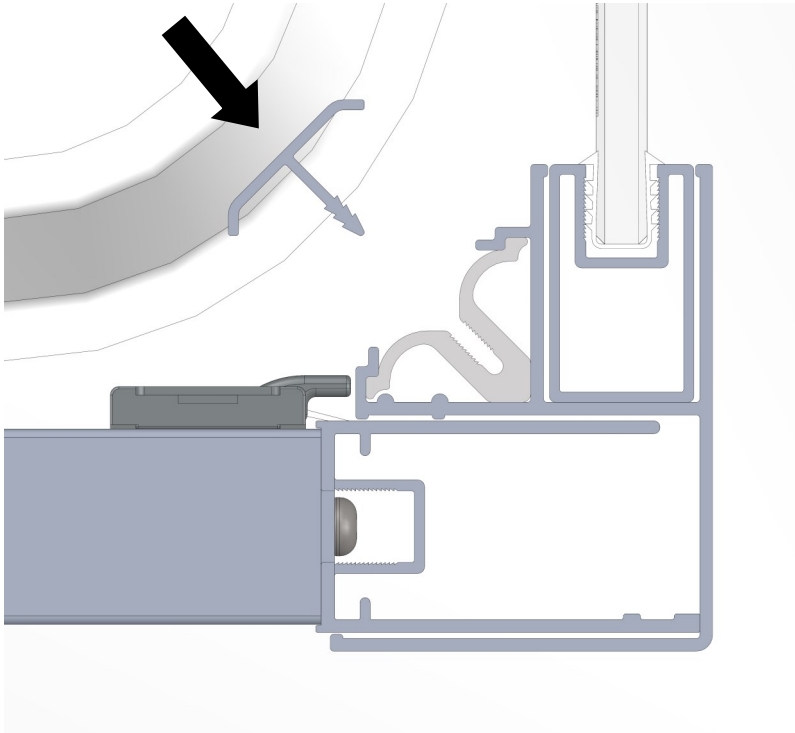
Measure & mark wall rail positions. Drill & plug walls.  
 Fix wall profiles using 4 x 45mm screws.

## DOOR & PANEL INSTALLATION (refer to door fitting instructions)

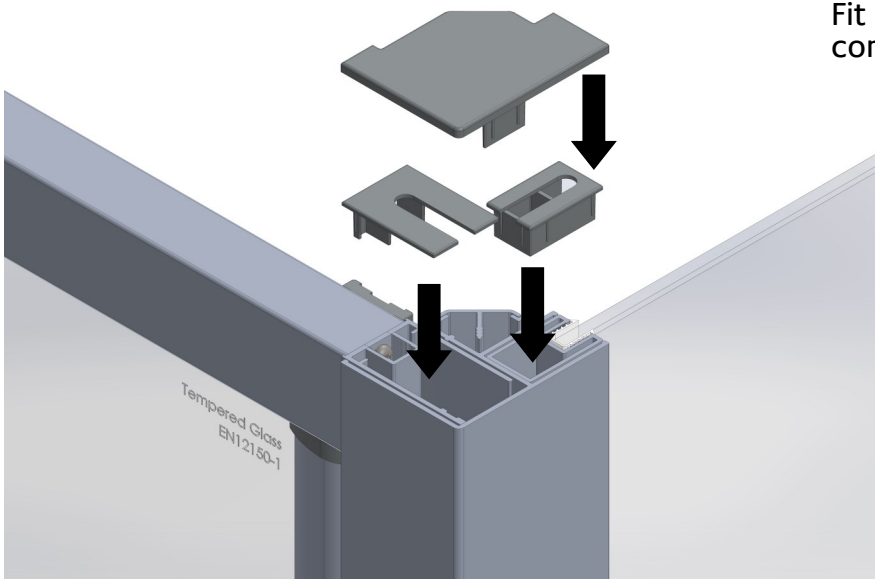


1. Fit door into wall profile, do not fix at this stage.
2. Fit Side panel into wall profile and push corner post into position.
3. Using spirit level, ensure door is square and both door and side panel are plumb. Manipulate door and panel into desired position (frames parallel to tray edges).
4. Using holes in vertical profiles as a guide, drill using 3mm bit.
5. Fix door and side panel using 3,5 x 10mm screws.



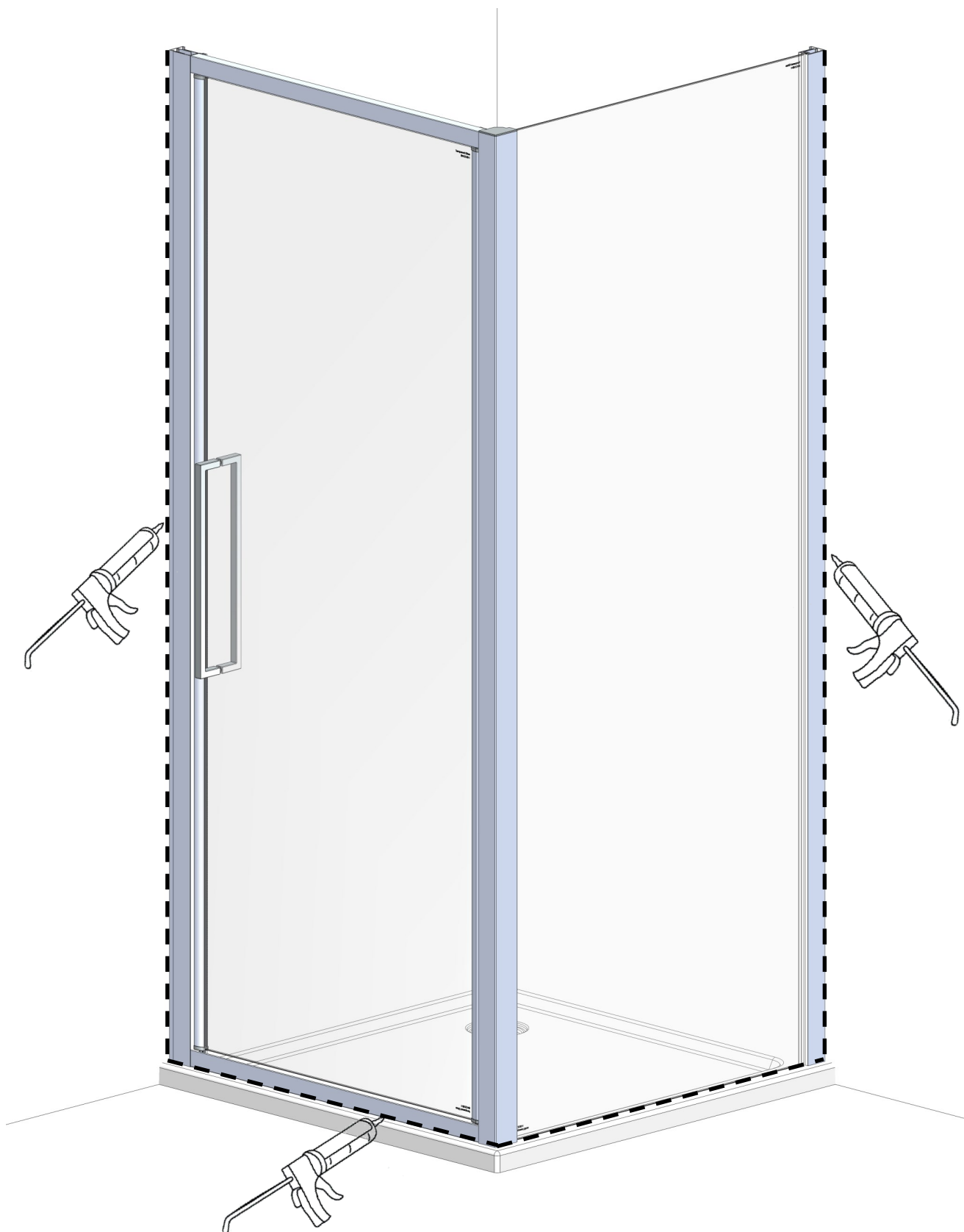


Push cover strip onto corner post ensuring it is engaged fully in all 3 clips on post.



Fit cover caps to profiles then fit corner post cap

SEALING :



Use of good quality silicone sealant & cleaning / degreasing of all joint areas is recommended.  
Apply continuous silicone sealant bead as indicated EXTERNALLY ONLY

## **BASIC TROUBLESHOOTING :**

### **Leakage :**

The sealing method described in these instructions relies on a continuous seal being applied between shower walls & tray before installing the enclosure (see fig A), it ensures a watertight seal around the perimeter of the enclosure to the shower walls & tray.

In the unlikely event of an enclosure leak, water will be visible on the outside of the enclosure itself, or around the perimeter silicone seal **ONLY**. Water / moisture appearing outside this area (ie at floor level) is normally due to incorrect tray installation.

### **Lakes Bathrooms Ltd**

Alexandra Way  
Ashchurch  
Tewkesbury  
Gloucestershire GL20 8NB

Service England, Scotland, Wales

8.30am—5pm Mon ~ Thurs

8.30am—4.30pm Fri

Tel / HELPLINE : 01684 853870

Fax : 01684 857411

[www.lakeshoweringspaces.com](http://www.lakeshoweringspaces.com)

Email : [admin@lakeshoweringspaces.com](mailto:admin@lakeshoweringspaces.com)