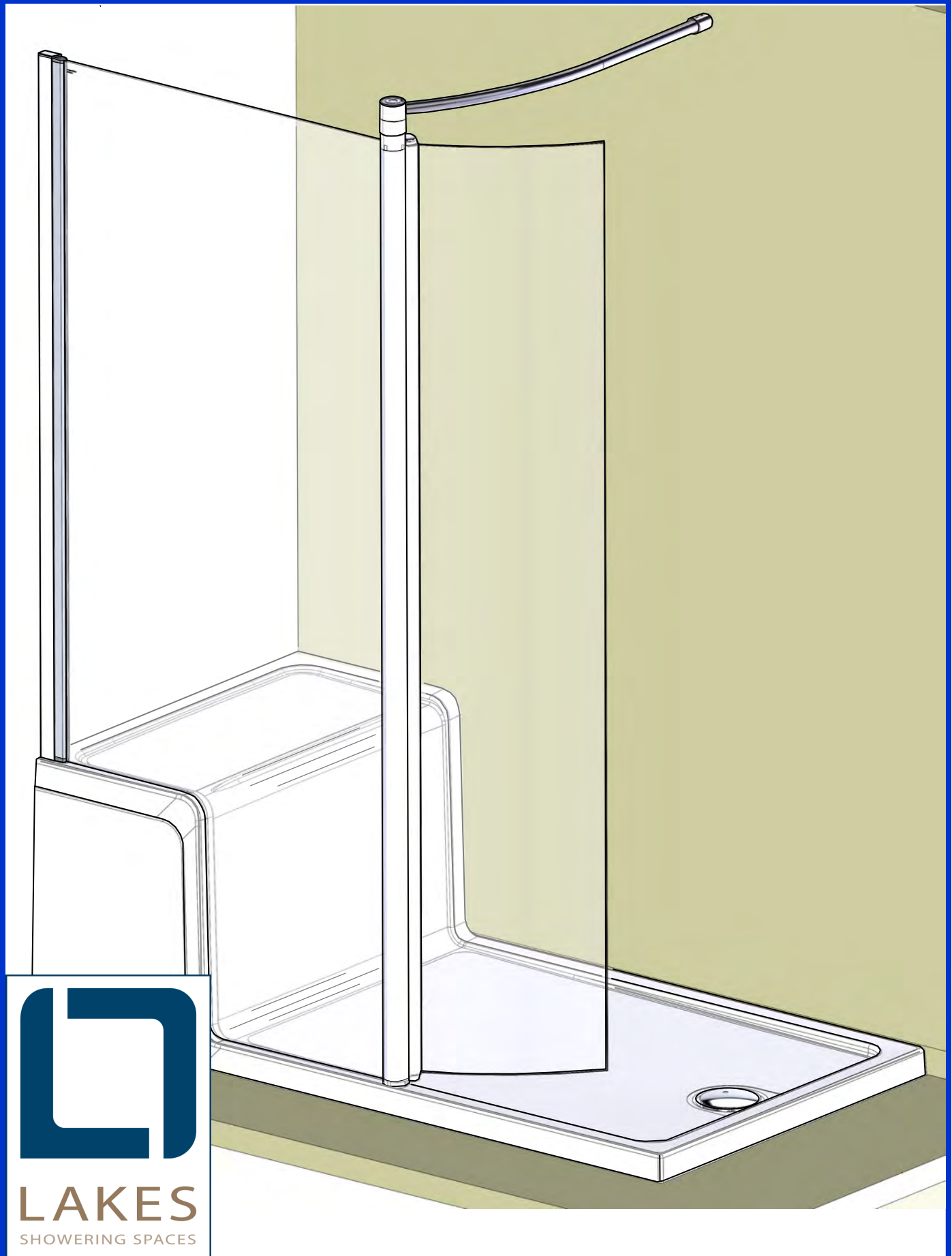


# WALK IN ENCLOSURE for Seat Tray

## Installation & Maintenance Instructions

Rev . 01.19



**LAKES**  
SHOWERING SPACES

## **IMPORTANT NOTES :**

Please Read Carefully & retain these instructions for Future Reference.

1. For ease & safety we advise that two persons assemble this product.
2. Protect shower tray surfaces at all times.
3. Exposed glass corners / edges **MUST NOT** contact hard surfaces at any time.
4. Check for cables, pipes etc before drilling walls.
5. Ensure all surfaces are dry, clean & free of loose debris / dust.
6. Unpack goods with care (small parts can become lodged in packaging & inadvertently discarded). Check parts supplied against parts & fittings listed herein. Damaged parts / omissions may be resolved by calling Lakes Bathrooms Helpline.
7. Whilst precautions are taken in manufacture, care must be taken when handling as rail ends may have sharp edges.
8. Before commencing, check :
  - a) shower tray (or base) is level & completely sealed to finished / tiled walls.
  - b) finished walls are sound & free of cracks, loose tiles / grout.
8. **AFTER INSTALLATION, DO NOT 'WET' ENCLOSURE FOR 48 HOURS TO ENSURE FULL CURE OF SILICONE SEALANT.**

## **USE :**

### **General Care & Maintenance.**

Provided this product is installed & operated in accordance with these instructions, problems should not arise. However should maintenance be required it should be carried out by a competent person with reference to these instructions. Before any work is carried out the root cause of the problem must be identified. Lakes Bathrooms service engineers are available if necessary to consult / carry out remedial work. Call Lakes Bathrooms HELPLINE.

### **Cleaning.**

(Every one to two weeks depending on local water {hardness} conditions).

All glass panels in this product have a hydrophobic coating aiding 'runoff' of water droplets, reducing the need for frequent cleaning. For best appearance / product life however, regular cleaning is recommended.

Use **ONLY** mild soap / detergent solutions to clean. Rinse with water, squeegee glass panels & wipe frames dry with a soft cloth. Under no circumstances should abrasive, caustic or scouring products be used. Non compliance with these cleaning instructions may cause decorative finishes to deteriorate & could adversely affect safe operation of the enclosure.

### **Daily Care.**

To prevent the build up of limescale, do not allow water droplets to dry on glass or frames. After showering, rinse with water, remove droplets from glass with a squeegee & wipe frame with a soft cloth.

### **Customer Service.**

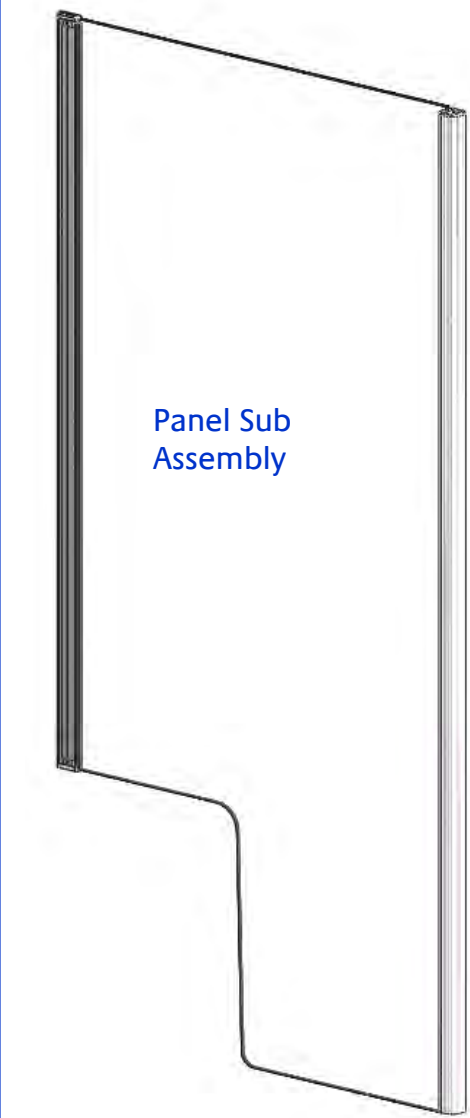
Quality Guarantee : Lakes Bathrooms Ltd guarantee Shower Doors & Enclosures against any manufacturing or material defects for the lifetime of the product. We will resolve defects free of charge by repairing / replacing parts as we feel necessary. To be 'free of charge' service work must be carried out by Lakes Bathrooms or approved agents.

Seals are considered 'wear & tear' parts, as such they are guaranteed for 12 months from purchase. Not Covered by this Guarantee : Damage or defects that result from improper installation, improper use, or lack of maintenance (including limescale buildup). Damage or defects that result from repairs / modifications undertaken by unauthorized persons. This guarantee is in addition to statutory & other legal rights.

What to do if something goes wrong : Should the product not function correctly on initial use, firstly, contact the installer to check that unit installation & commissioning are in accordance with these instructions. Should this not resolve difficulties or should performance decline, consult 'Troubleshooting' section to see if simple home maintenance is needed. Alternatively our HELPLINE staff can assist, or if necessary arrange for a service engineer to visit.

Spares : We maintain extensive spare part stocks. Spares can be ordered / purchased from your retailer in the first instance. Parts will normally be dispatched within two working days from order placement.

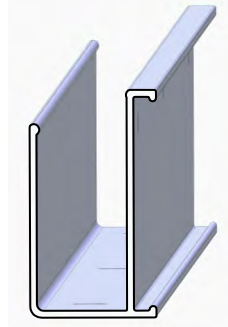
**Supplied Parts :**



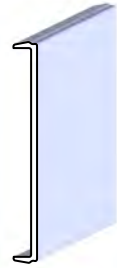
Panel Sub Assembly



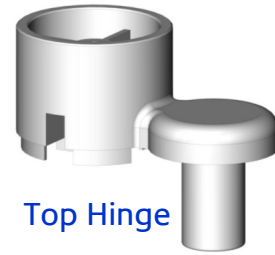
Door Sub Assembly



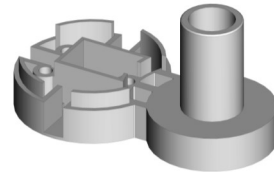
Wall Profile 1380mm



Cover Profile 1380mm



Top Hinge



Bottom Hinge



Finial kit



Wall Bracket kit



Bracing Bar



5 x 60 long self tapping screw 4x



Filler 4x



Silicone shaping tool



Wall Plug 8 x 50 long 4x



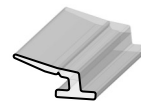
4 x 25 long Countersunk Self Tapping Screw 4x



3,5 x 10 long self tapping screw 3x



Top Cap (wall profile) Handed pair



Hinge Seal 2x

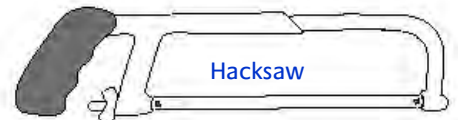


Base Pad (1x flat & 1x angled)

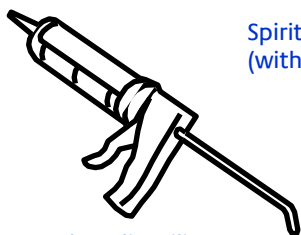
**Tools Required**



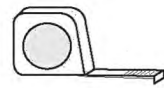
Spirit Level (with vertical 'bubble')



Hacksaw



Good quality silicone sealant & applicator



Tape Measure



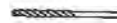
2,5mm Hexagon (Allen) Key



Pozi drive Screwdriver



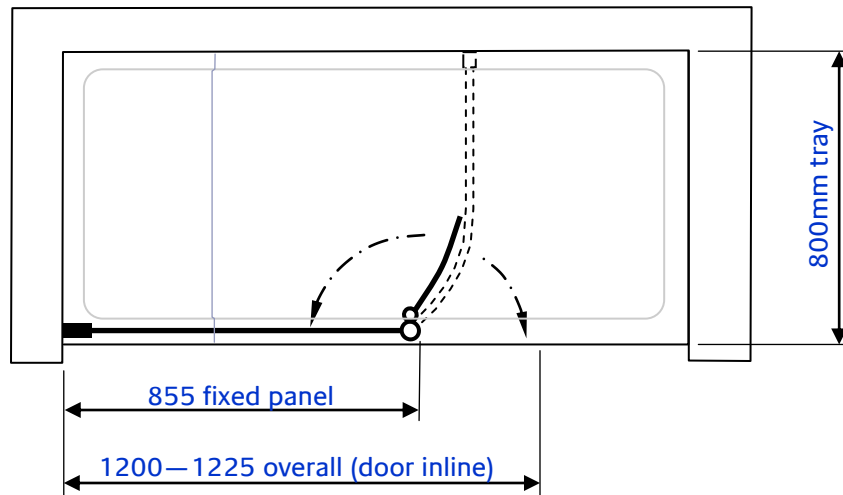
Pencil



3mm HSS drill bit



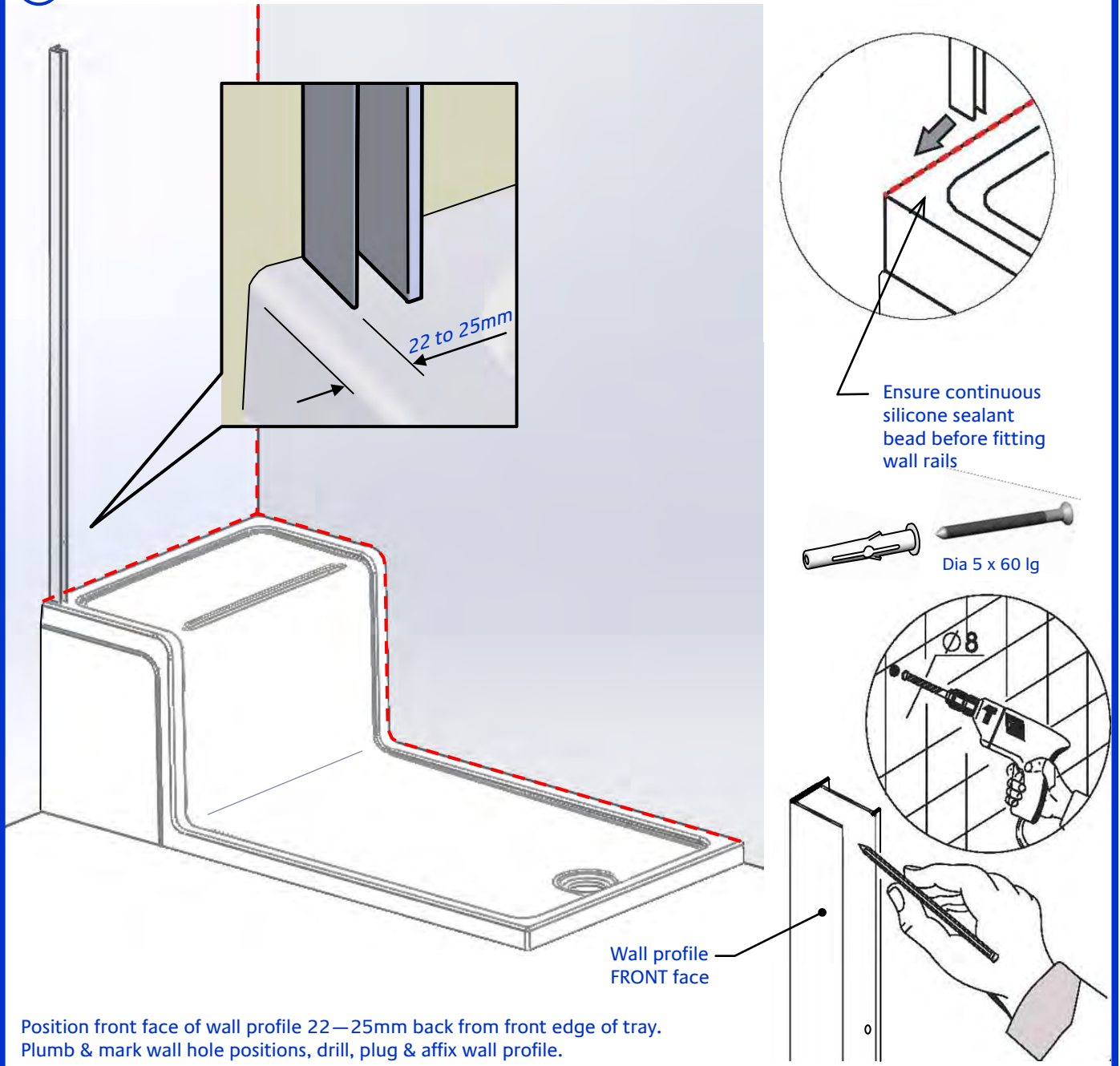
Power drill & 8mm masonry bit



Walk In Enclosure is fully reversible, so is suitable for fitting to left or right hand wall. Ensure tray is correctly levelled & that tray / wall (tile) joints are sealed & cured over entire length of tray sides (See Fig A) prior to fitting enclosure.

**DO NOT SEAL TRAY EDGES UP TO A FITTED ENCLOSURE !**

**(A)**

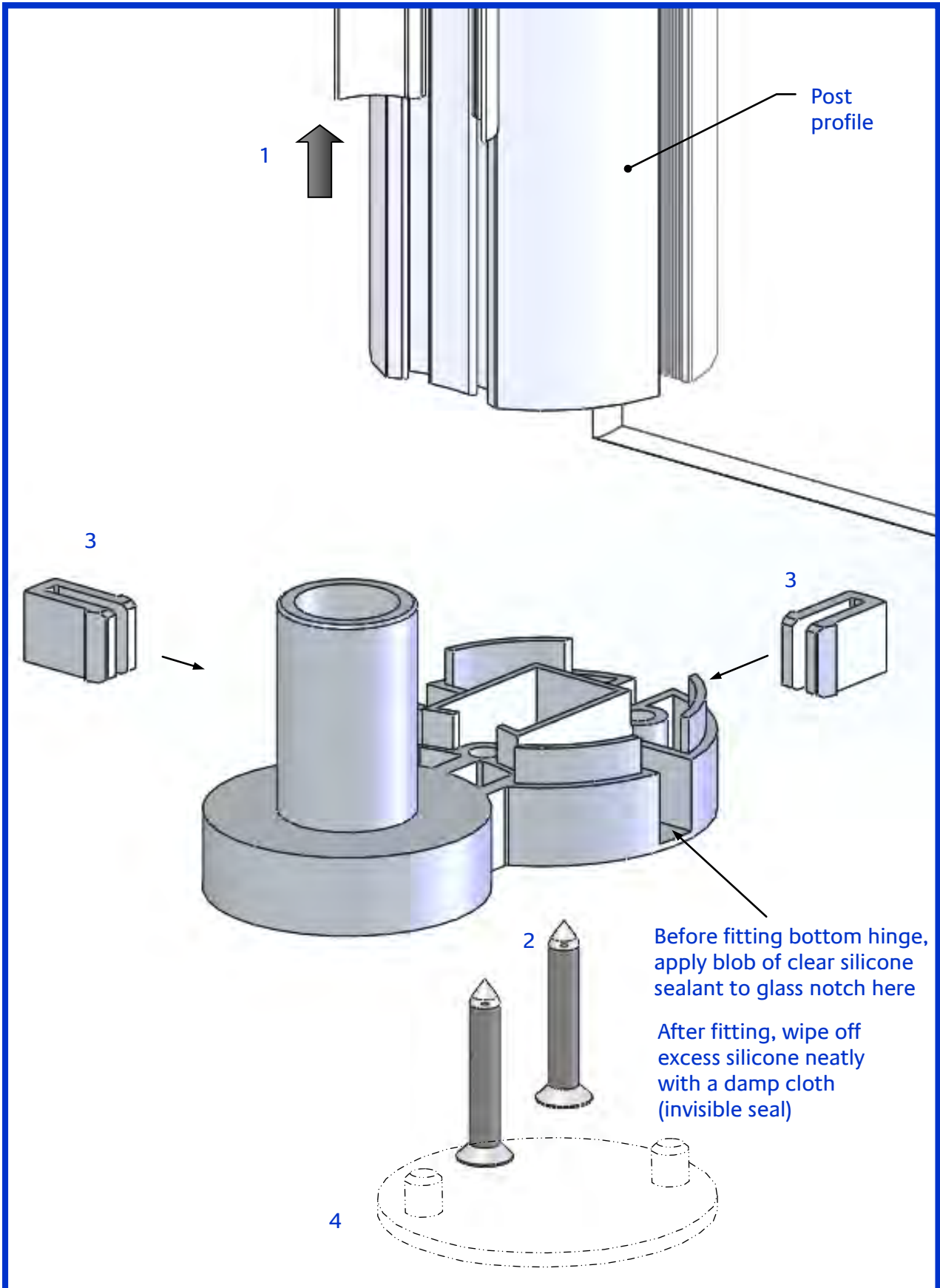


Position front face of wall profile 22—25mm back from front edge of tray. Plumb & mark wall hole positions, drill, plug & affix wall profile.

### Fixed panel pre installation build :

(B)

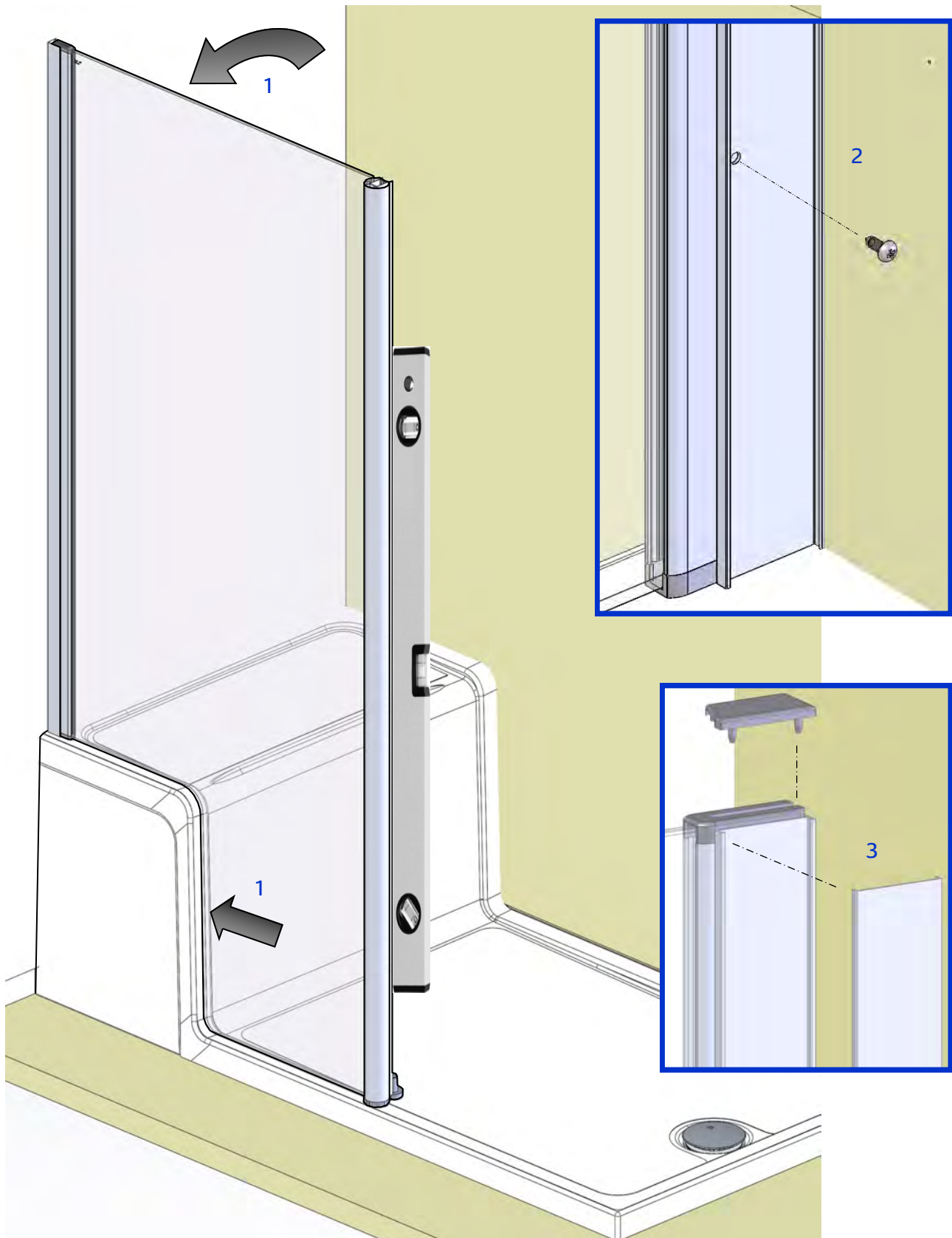
1. Slide hinge seals (fins outward) into post profile.
2. Determine hand, & fit bottom hinge bracket using 2x 4 x 25mm long CSK self tapping screws, (hinge protrudes at 90° to wet side)
3. Fit Fillers into vacant slots of hinge bracket .
4. If required for levelling / plumb, fit appropriate basepad to underside of bottom hinge.



## Fixed panel installation :

©

1. Lift main panel into wall profile, push back until glass contacts tray vertical & down onto tray surface. Plumb panel & check glass is parallel to tray sides & that glass / tray contours match (consistent joint gap).

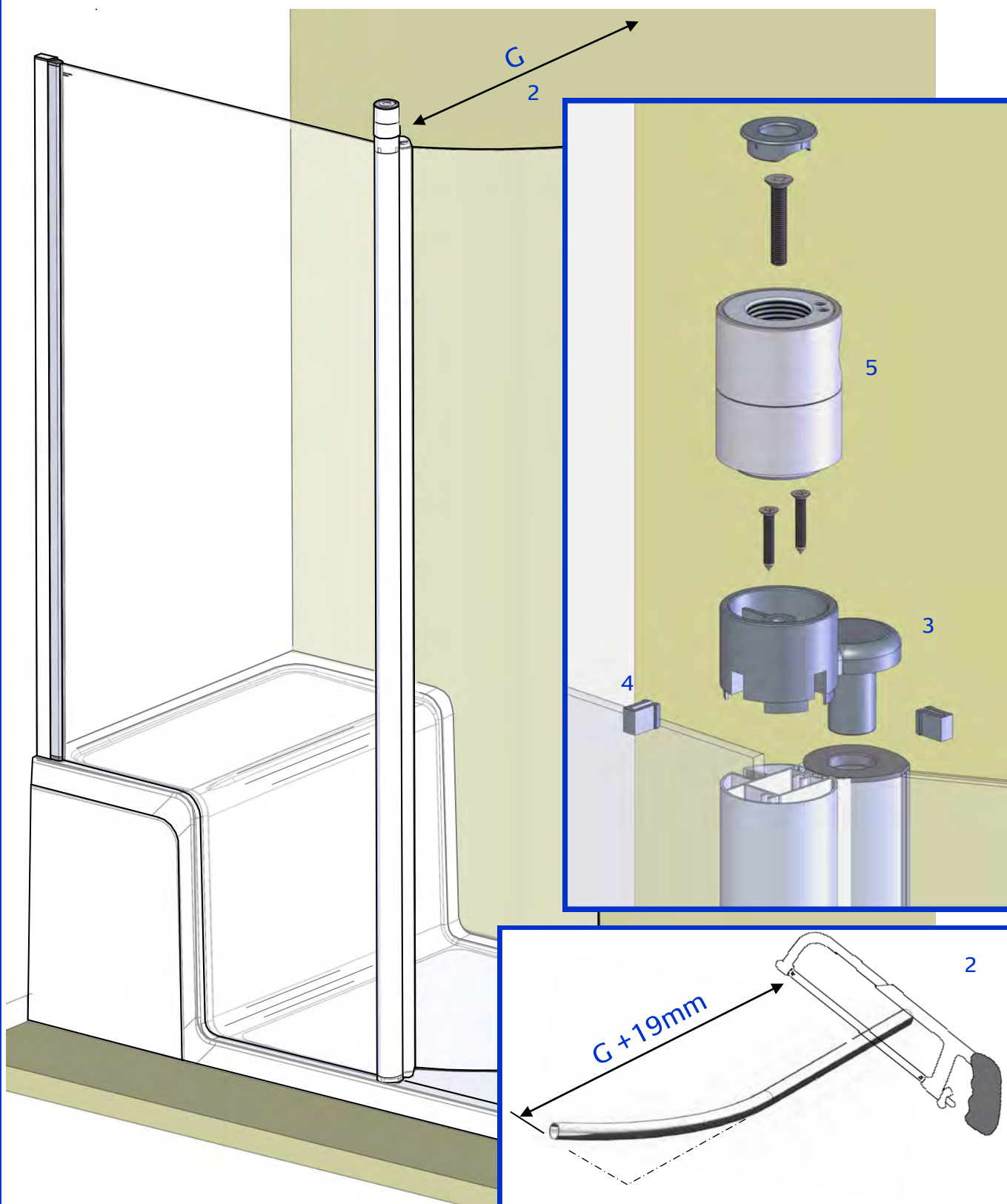


2. With panel positioned and plumb, from inside enclosure, using wall profile holes as a guide, drill dia 3mm & affix panel to wall profile using 3.5 x 10 pan head screws (3 places).
3. Align & press fit (screw) cover profile into wall profile. Fit appropriate top cap.

## Bracing & fitting door :

Ⓓ

1. Measure gap from back wall to inside of finial (G). With bar positioned in 90° corner, measure, mark then cut bracing bar to (G + 19mm) long.

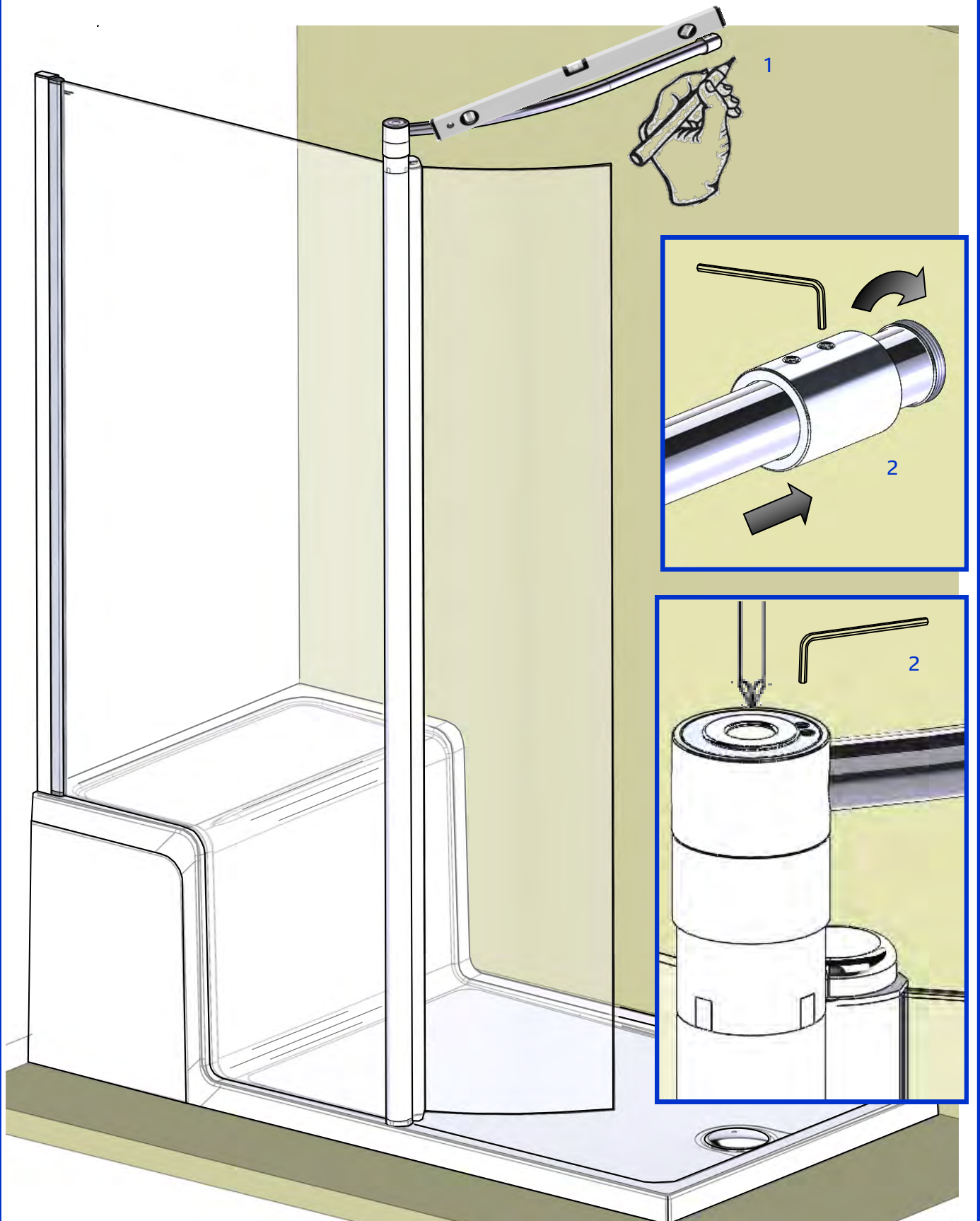


2. Fit door assy onto bottom hinge. Keeping the door supported, push fully down & back onto the hinge seals, then assemble top hinge bracket (joining door to post profile). Immediately affix with 2x 4 x 25 long CSK self tapping screws.
3. Fit Fillers to vacant slots in top hinge bracket.
4. Fit finial kit : leave centre screw loose to permit finial to spin at this stage.

## Bracing (continued):

E

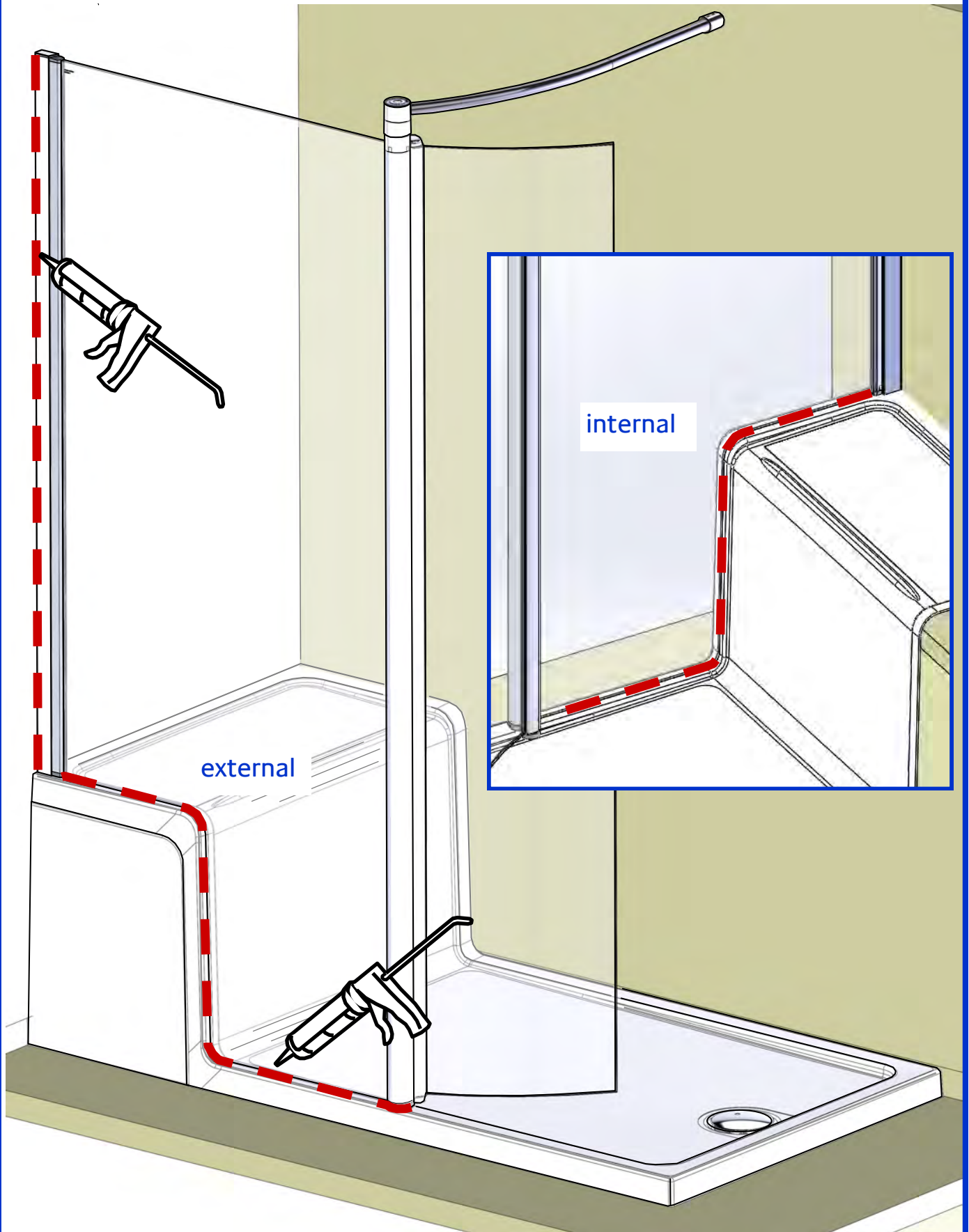
1. Insert bracing bar into finial, level & offer square to back wall, mark wall hole position, drill, plug & affix threaded wall plate.
2. Slide wall bracket onto bracing bar, align & screw to wall plate until bracket is tight to wall & grubscrews are uppermost. Tighten all grubscrews (2 at wall, 2 at finial) & then tighten finial centre screw.





Sealing :

F

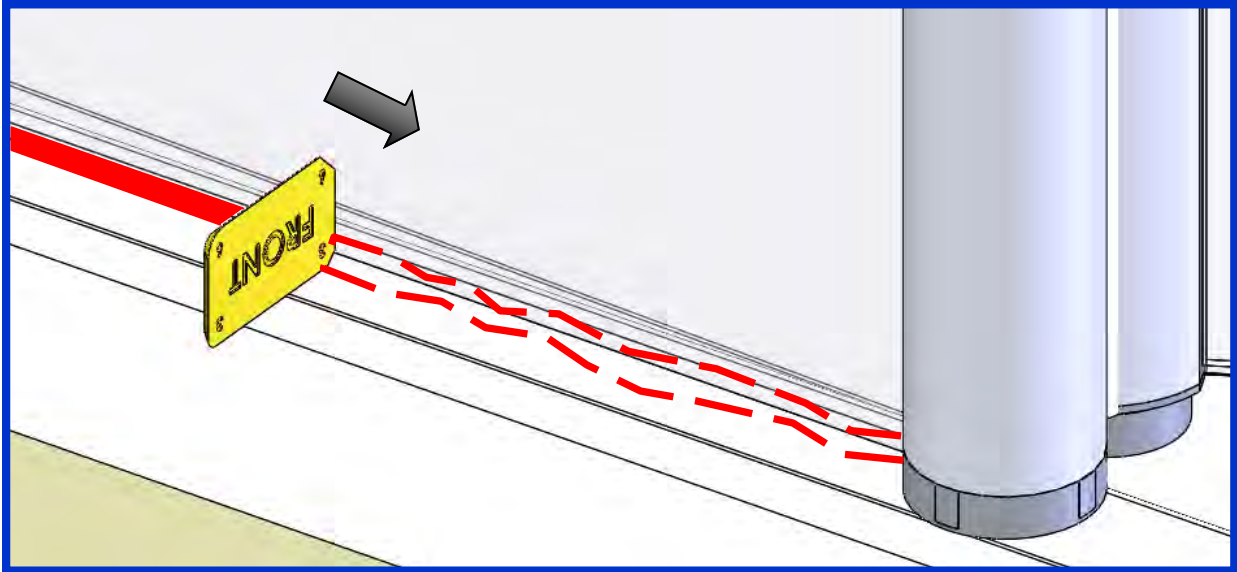


Use of good quality silicone sealant & cleaning / degreasing of all joint areas is recommended. Apply continuous silicone sealant beads as indicated. For glass to tray joint lines, the use of silicone to both sides of glass, & using silicone shaping tool is recommended to achieve sealing & best appearance.

## Sealing (continued)

This unit is supplied with a shaping tool, permitting the 'dressing' of untidy sealant to a consistent shape. Initial sealant application need not be that precise / neat.

Keeping the tool at 90° to joint surfaces ("FRONT" forward), press the shaper into corner & drag along joint for a short distance—clean the tool & repeat. Voids/ holes may be refilled & reshaped as necessary until continuous joint is completed. Always work AWAY from corners. The size/shape used is at installers discretion, but it is suggested to use the smaller corners unless large joint gaps are present.



## Basic Troubleshooting :

Door motion tight, juddery or noisy (creaky) :

Ensure hinge bearings are greased. Check hinge seals are correctly fitted & not trapped between posts, & that seals are free of twists, kinks etc.

Grease (or furniture polish) may be lightly applied to hinge seals to ensure smooth door motion.

Leakage :

The sealing method described in these instructions relies on a continuous seal being applied between shower walls & tray before installing the enclosure (see fig A), it ensures a watertight seal around the perimeter of the enclosure to the shower walls & tray.

In the unlikely event of an enclosure leak, water will be visible on the outside of the enclosure itself, or around the perimeter silicone seal ONLY. Water / moisture appearing outside this area (ie at floor level) is normally due to incorrect tray installation.



## Lakes Bathrooms Ltd

Alexandra Way  
Ashchurch  
Tewkesbury  
Gloucestershire GL20 8NB

Service England, Scotland, Wales

8.30am—5pm Mon ~ Thurs

8.30am—4.30pm Fri

Tel / HELPLINE : 01684 853870

Fax : 01684 857411

[www.lakesbathrooms.co.uk](http://www.lakesbathrooms.co.uk)

Email : [admin@lakesbathrooms.co.uk](mailto:admin@lakesbathrooms.co.uk)

Service : Northern Ireland

Ian A Kernohan

Firtrees

Green Way Industrial Estate

Conlig

Northern Ireland

BT23 7SU

8.30am—5pm Mon ~ Thurs

8.30am—4.30pm Fri

Tel : 02891 270233

Fax : 02891 270597

Email : [info@iakonline.com](mailto:info@iakonline.com)