

INLINE PANEL PACK

Installation / Maintenance Instructions

rev 01.19

For illustration purposes, Inline panel shown used in conjunction with semi frameless pivot door.



LAKES
SHOWERING SPACES

IMPORTANT NOTES :

Please Read Carefully & retain these instructions for Future Reference.

1. For ease & safety we advise that two persons assemble this product.
2. Protect shower tray surfaces at all times.
3. Exposed glass corners / edges MUST NOT contact hard surfaces at any time.
4. Check for cables, pipes etc before drilling walls.
5. Ensure all surfaces are dry, clean & free of loose debris / dust.
6. Unpack goods with care (small parts can become lodged in packaging & inadvertently discarded). Check parts supplied against parts & fittings listed herein. Damaged parts / omissions may be resolved by calling Lakes Bathrooms Helpline.
7. Whilst precautions are taken in manufacture, care must be taken when handling as rail ends may have sharp edges.
8. Before commencing, check :
 - a) shower tray (or base) is level & completely sealed to finished / tiled walls.
 - b) finished walls are sound & free of cracks, loose tiles / grout.
8. AFTER INSTALLATION, DO NOT 'WET' ENCLOSURE FOR 48 HOURS TO ENSURE FULL CURE OF SILICONE SEALANT.

USE :

General Care & Maintenance.

Provided this product is installed & operated in accordance with these instructions, problems should not arise. However should maintenance be required it should be carried out by a competent person with reference to these instructions. Before any work is carried out the root cause of the problem must be identified. Lakes Bathrooms service engineers are available if necessary to consult / carry out remedial work. Call Lakes Bathrooms HELPLINE.

Cleaning.

(Every one to two weeks depending on local water {hardness} conditions).

All glass panels in this product have a hydrophobic coating aiding 'runoff' of water droplets, reducing the need for frequent cleaning. For best appearance / product life however, regular cleaning is recommended.

Use ONLY mild soap / detergent solutions to clean. Rinse with water, squeegee glass panels & wipe frames dry with a soft cloth. Under no circumstances should abrasive, caustic or scouring products be used. Non compliance with these cleaning instructions may cause decorative finishes to deteriorate & could adversely affect safe operation of the enclosure.

Daily Care.

To prevent the build up of limescale, do not allow water droplets to dry on glass or frames. After showering, rinse with water, remove droplets from glass with a squeegee & wipe frame with a soft cloth.

Customer Service.

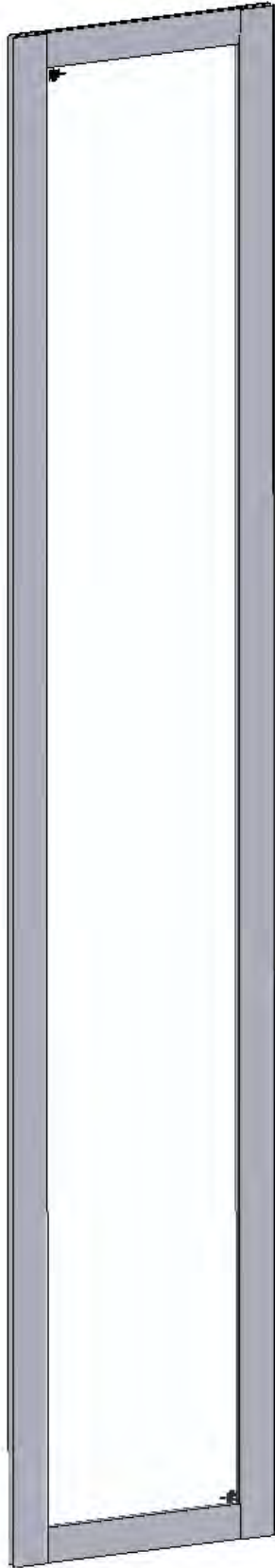
Quality Guarantee : Lakes Bathrooms Ltd guarantee Shower Doors & Enclosures against any manufacturing or material defects for the lifetime of the product. We will resolve defects free of charge by repairing / replacing parts as we feel necessary. To be 'free of charge' service work must be carried out by Lakes Bathrooms or approved agents.

Seals are considered 'wear & tear' parts, as such they are guaranteed for 12 months from purchase. Not Covered by this Guarantee : Damage or defects that result from improper installation, improper use, or lack of maintenance (including limescale buildup). Damage or defects that result from repairs / modifications undertaken by unauthorized persons. This guarantee is in addition to statutory & other legal rights.

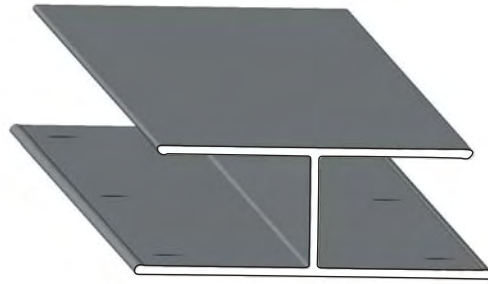
What to do if something goes wrong : Should the product not function correctly on initial use, firstly, contact the installer to check that unit installation & commissioning are in accordance with these instructions. Should this not resolve difficulties or should performance decline, consult 'Troubleshooting' section to see if simple home maintenance is needed. Alternatively our HELPLINE staff can assist, or if necessary arrange for a service engineer to visit.

Spares : We maintain extensive spare part stocks. Spares can be ordered / purchased from your retailer in the first instance. Parts will normally be dispatched within two working days from order placement.

SUPPLIED PARTS :



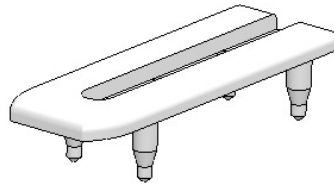
Panel Sub Assy (1x)
fig C



Inline 'H' joining
profile (1x)
1850mm fig B



Top Cap (Inline 'H' Profile)
(1x) fig D



Top Cap (Vertical Rail)
(4x) fig D



3.5 x 10 long self tapping
pan head screw (12x) fig C



Cup Washer (12x) fig A / C



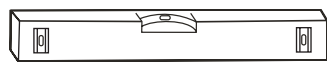
Decorative Screw Cover
Cap (12x) fig C



Bracing Arm Kit (comprising):
Bar, 2x End Bracket, 2x End Cover,
2x Pivot Screw, 2x Pivot Sleeve,
2x Wall Plug, 2x Wall Fixing Screw
2x Frame Fixing Screw

Door Size Ref	Overall Adjustment (A)
700mm	1000 to 1090mm
750mm	1060 to 1150mm
800mm	1100 to 1190mm
900mm	1180 to 1270mm
1000mm	1280 to 1370mm
1100mm	1380 to 1470mm
1200mm	1480 to 1570mm
1400mm	1680 to 1770mm
1600mm	1880 to 1970mm

Tools Required



Spirit Level (with vertical 'bubble')



Dia 8mm
Tile / Masonry
Drill Bit



Tape Measure



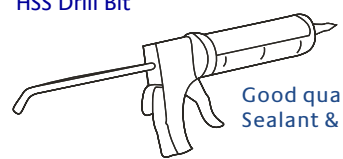
Pencil



Dia 3mm
HSS Drill Bit

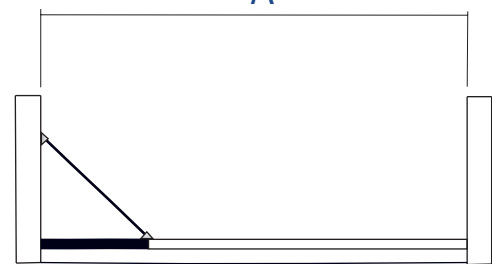


Screwdriver (Pozi Drive)



Good quality Silicone
Sealant & applicator

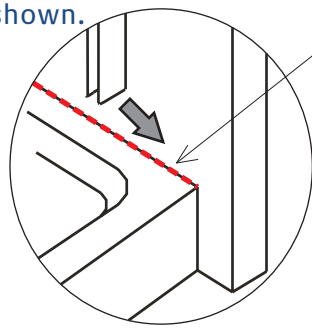
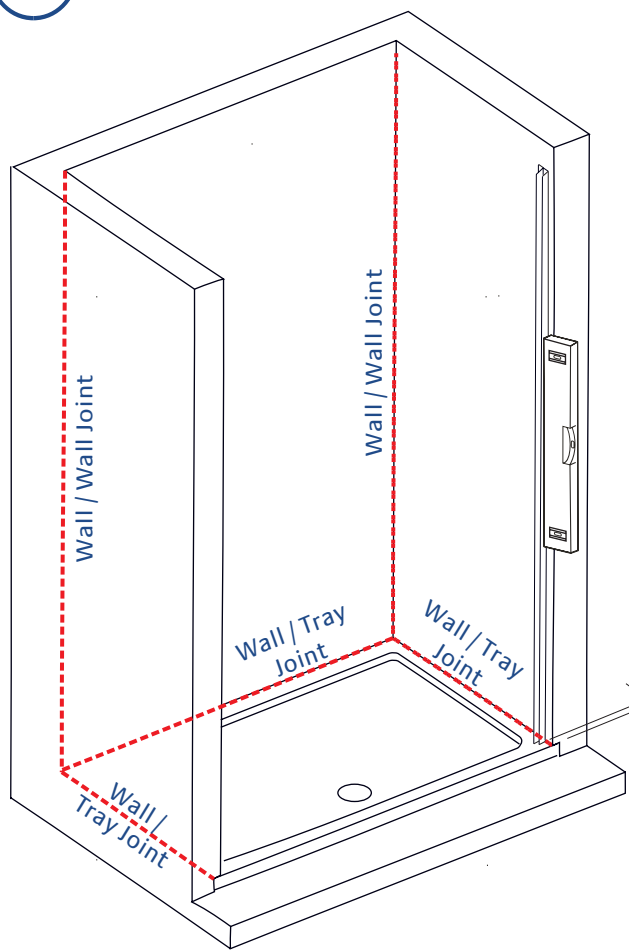
A



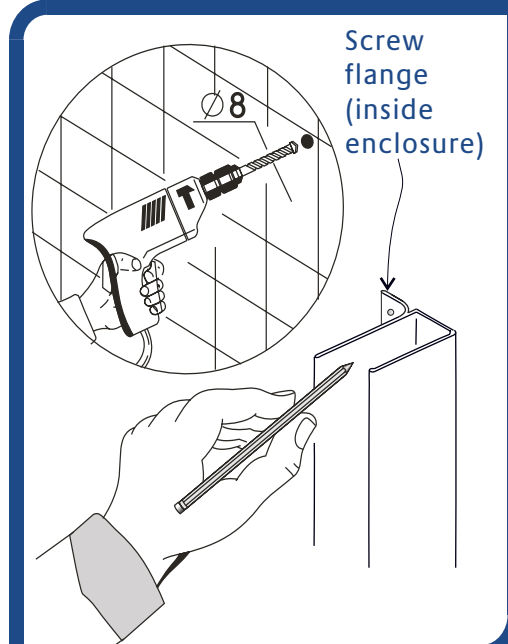
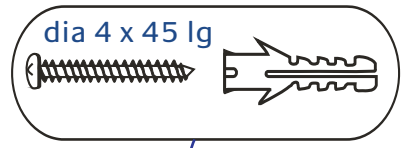
Lakes Inline panel 'pack' for use in line with standard shower doors. Ensure tray is correctly levelled & that tray / wall (tile) joints are sealed & cured over entire length of tray sides (See Fig A) prior to fitting enclosure. **DO NOT SEAL TRAY EDGES UPTO A FITTED ENCLOSURE !**

A

Using wall rails provided with door, affix as shown.



Ensure continuous silicone sealant bead before fitting wall rails



Screw flange (inside enclosure)

Measure & mark wall rail Positions. Mark fixing hole positions, drill & plug walls. Having decided required handing, **AFFIX DOOR SIDE WALL RAIL ONLY AT THIS STAGE.**

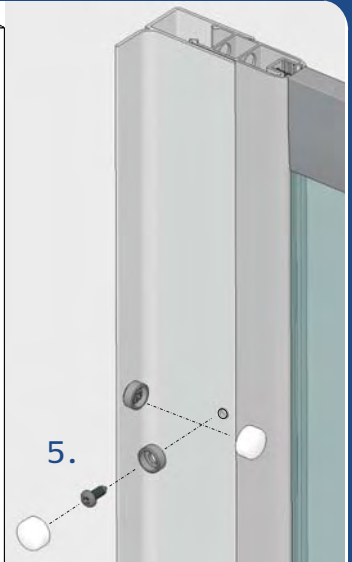
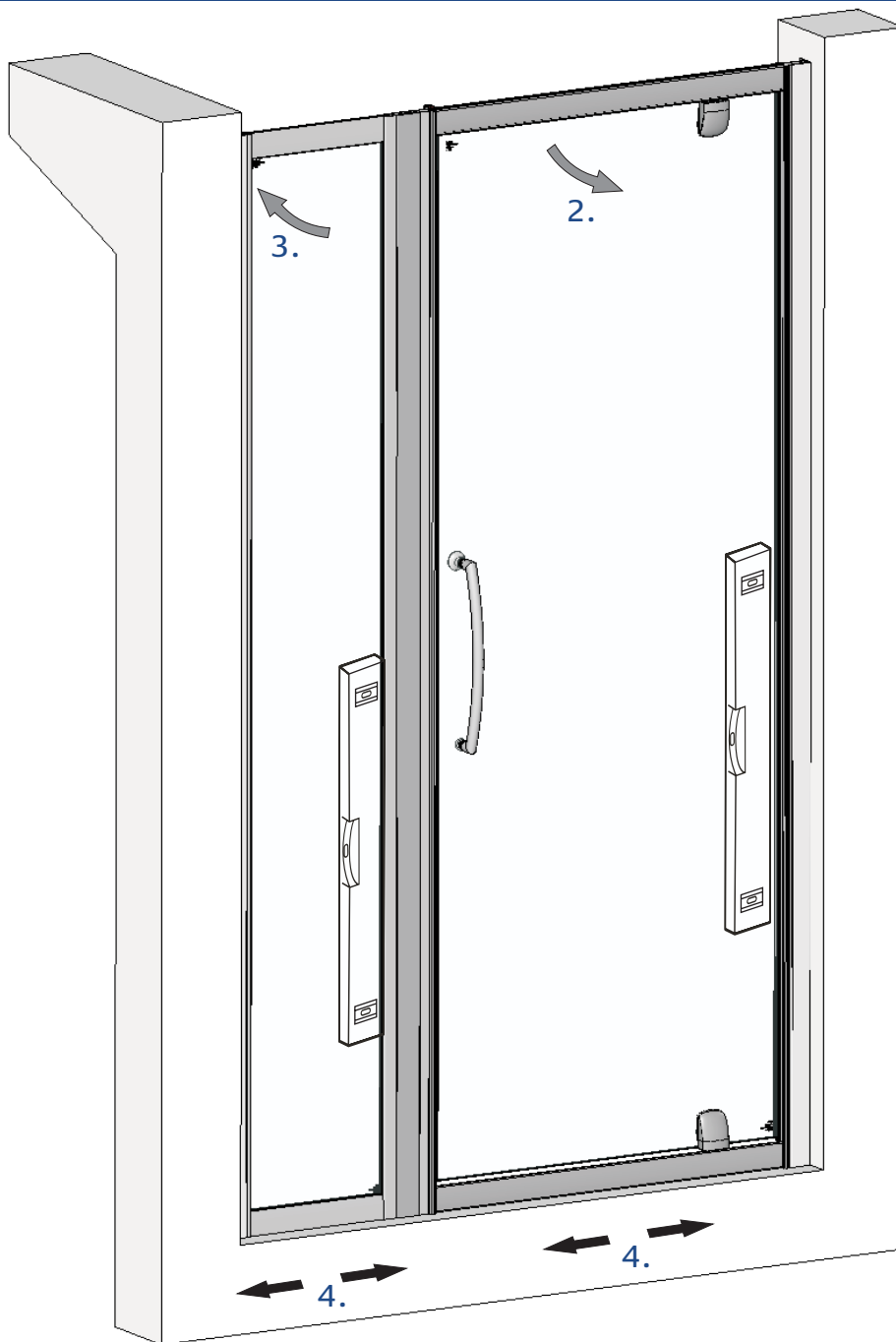
Refer to respective shower door installation instructions for assembling door. Door should be positioned loosely in its wall profile as shown ~ DO NOT drill & screw until final unit position has been determined (refer to fig C).

- B** Assemble door into wall profile & 'H' joining profile to door edge. Push door fully into wall profile & 'H' profile fully onto door edge.

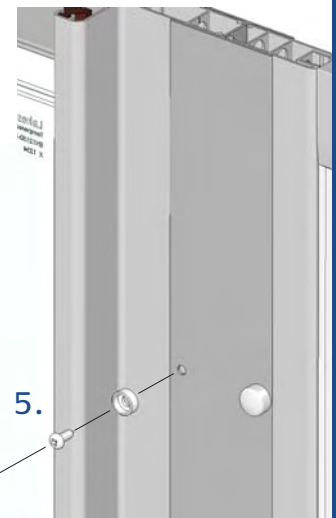


Assemble 'H' profile
narrow face to FRONT

C



Wall Rails



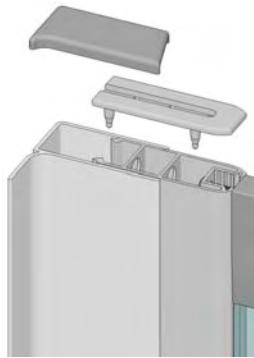
Inline 'H'
joining profile

1. Fit remaining wall profile to wall edge of panel & fully compress.
2. Ease door forward at (as indicated) & carefully lift inline panel into 'H' profile.
3. Push entire assy back into alcove, align & fix 2nd wall profile.
4. Adjust panel & door side to side & ensure plumbs. Check door operation.
5. From inside enclosure, using wall rail & 'H' profile holes as a guide, drill (dia 3mm) fit cup washer & affix door & panel using 3,5 x 10 long pan head screws (12 screws total). Push on decorative cover caps to ALL screws / washers.

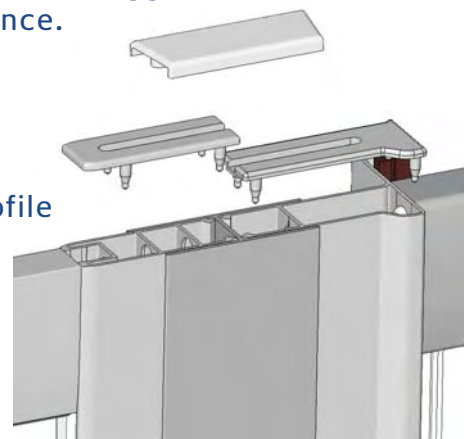
D

Where applicable fit profile top caps.

Note : Semi Frameless shower doors only are supplied with profile top caps. When using a fully framed shower door with an inline panel, it is suggested that the top caps are omitted for consistency of appearance.



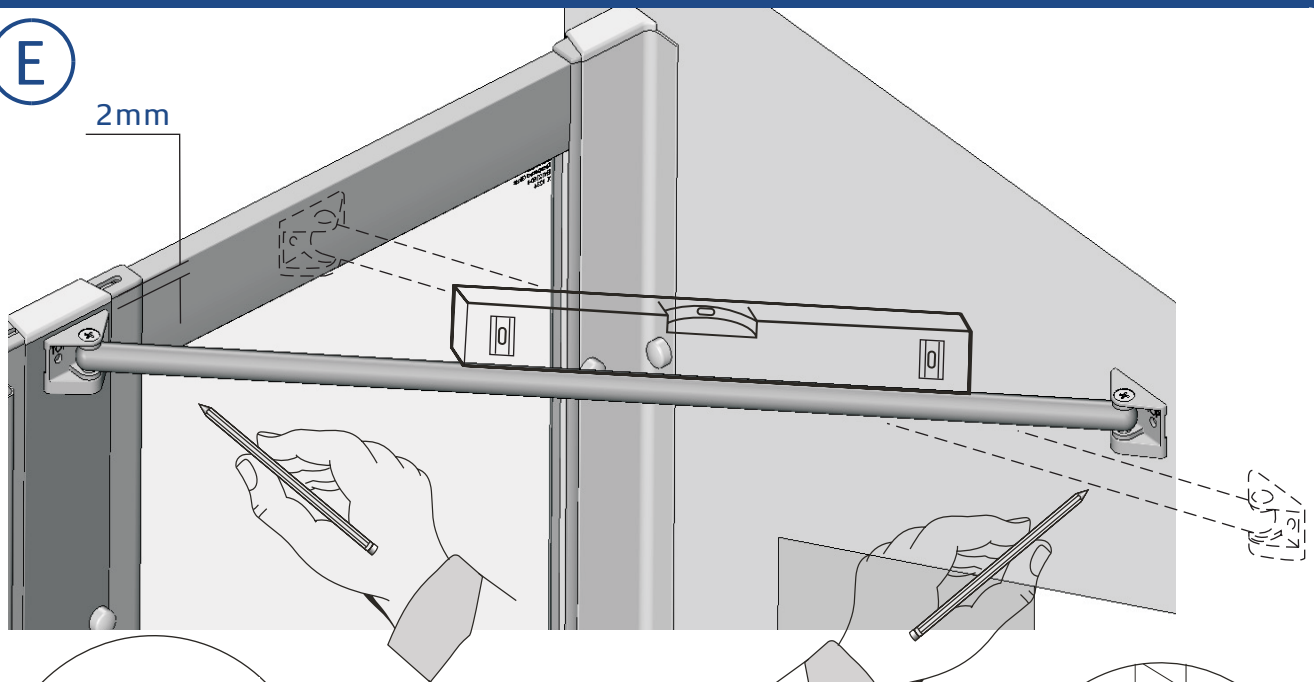
Side Panel / Wall Profile



'H' joining profile

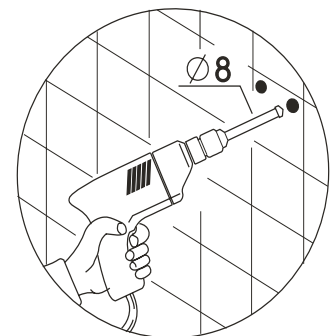
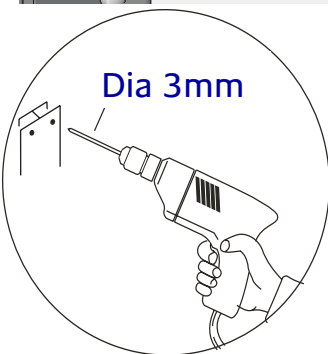
Select appropriate (hand) caps & press into profiles as shown, clear silicone sealant may be applied to retain, wipe off all excess with damp cloth.

E



2mm

Dia 3mm



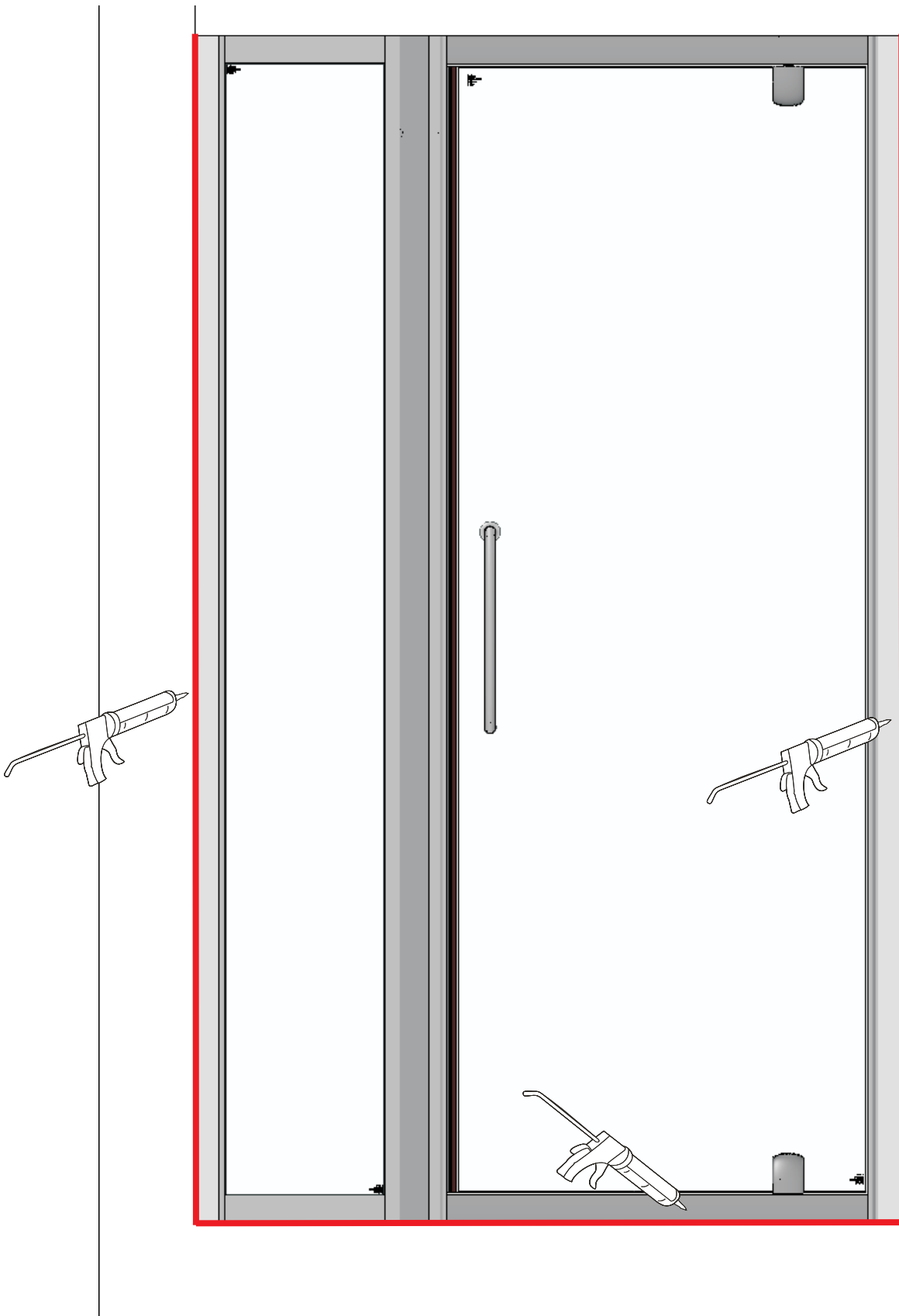
Assemble bracing arm (less end covers).

Offer arm into position with top edge of bracket 2mm below top, & centred on 'H' profile. Press wall end bracket to wall, mark & drill all fixing holes, fit 2x wall plugs.

Remove panel end bracket from bracing arm, affix bracing arm to wall. Affix bracket (only) to 'H' profile. Align & snap fit cover onto wall bracket. Align & loosely fit 2nd cover onto bar. Re- attach bracing bar into bracket on 'H' profile, align & snap on cover.

If on initial 'offer up' there is any obstruction, the panel end bracket may be affixed to horizontal rail of panel as indicated. When offering up in this way, check that end covers will accommodate the required angle (offer up with covers fitted to brackets !).

F



Use of good quality silicone sealant & cleaning / degreasing of all joint areas is recommended.
Apply continuous silicone sealant bead as indicated EXTERNALLY ONLY

BASIC TROUBLESHOOTING :

Refer to respective shower door installation instructions for troubleshooting information.

Leakage :

The sealing method described in these instructions relies on a continuous seal being applied between shower walls & tray before installing the enclosure (see fig A), it ensures a watertight seal around the perimeter of the enclosure to the shower walls & tray.

In the unlikely event of an enclosure leak, water will be visible on the outside of the enclosure itself, or around the perimeter silicone seal ONLY. Water / moisture appearing outside this area (ie at floor level) is normally due to incorrect tray installation.



Lakes Bathrooms Ltd
Alexandra Way
Ashchurch
Tewkesbury
Gloucestershire
GL20 8NB

Service : England, Scotland, Wales
8.30am—5pm Mon~ Thurs
8.30am—4.30pm Fri
Tel / HELPLINE : 01684 853870
Fax : 01684 857411
www.lakesbathrooms.co.uk
email : admin@lakesbathrooms.co.uk

Service : Northern Ireland
Ian A Kernohan
Firtrees
Green Way Industrial Estate
Conlig
Northern Ireland
BT23 7SU

8.30am - 5pm Mon~Thurs
8.30am - 4.30pm Fri
Tel : 02891 270233
Fax : 02891 270597
Email : info@iakonline.com