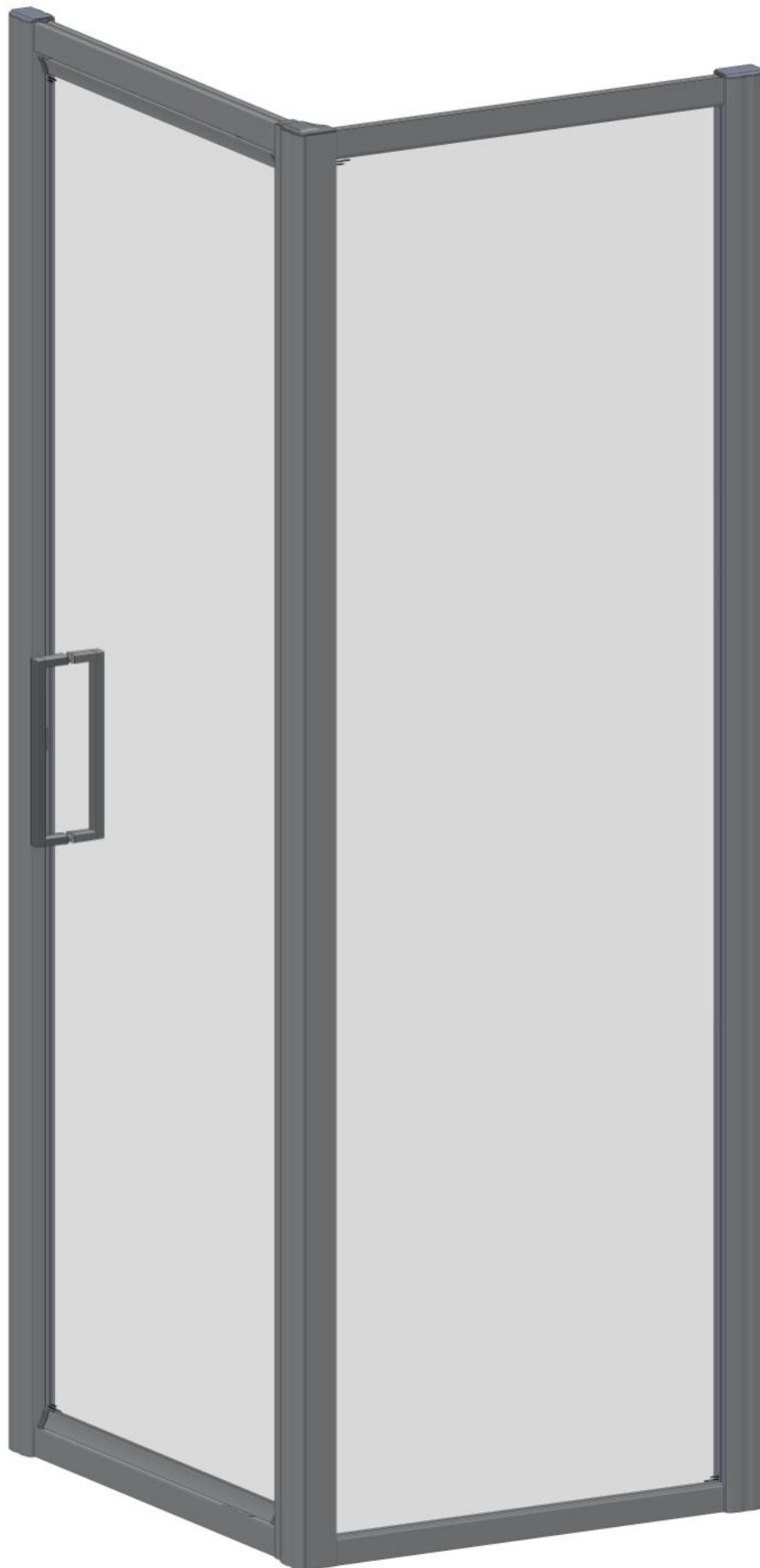


# COASTLINE 90° SIDE PANEL

Installation / Maintenance Instructions

Rev 01.19



Shown with Pivot Door for illustration purposes.

## **IMPORTANT NOTES :**

Please Read Carefully & retain these instructions for Future Reference.

1. For ease & safety we advise that two persons assemble this product.
2. Protect shower tray surfaces at all times.
3. Exposed glass corners / edges **MUST NOT** contact hard surfaces at any time.
4. Check for cables, pipes etc before drilling walls.
5. Ensure all surfaces are dry, clean & free of loose debris / dust.
6. Unpack goods with care (small parts can become lodged in packaging & inadvertently discarded). Check parts supplied against parts & fittings listed herein. Damaged parts / omissions may be resolved by calling Lakes Bathrooms Helpline.
7. Whilst precautions are taken in manufacture, care must be taken when handling as rail ends may have sharp edges.
8. Before commencing, check :
  - a) shower tray (or base) is level & completely sealed to finished / tiled walls.
  - b) finished walls are sound & free of cracks, loose tiles / grout.
8. **AFTER INSTALLATION, DO NOT 'WET' ENCLOSURE FOR 48 HOURS TO ENSURE FULL CURE OF SILICONE SEALANT.**

## **USE :**

### **General Care & Maintenance.**

Provided this product is installed & operated in accordance with these instructions, problems should not arise. However should maintenance be required it should be carried out by a competent person with reference to these instructions. Before any work is carried out the root cause of the problem must be identified. Lakes Bathrooms service engineers are available if necessary to consult / carry out remedial work. Call Lakes Bathrooms HELPLINE.

### **Cleaning.**

(Every one to two weeks depending on local water {hardness} conditions).

All glass panels in this product have a hydrophobic coating aiding 'runoff' of water droplets, reducing the need for frequent cleaning. For best appearance / product life however, regular cleaning is recommended.

Use **ONLY** mild soap / detergent solutions to clean. Rinse with water, squeegee glass panels & wipe frames dry with a soft cloth. Under no circumstances should abrasive, caustic or scouring products be used. Non compliance with these cleaning instructions may cause decorative finishes to deteriorate & could adversely affect safe operation of the enclosure.

### **Daily Care.**

To prevent the build up of limescale, do not allow water droplets to dry on glass or frames. After showering, rinse with water, remove droplets from glass with a squeegee & wipe frame with a soft cloth.

### **Customer Service.**

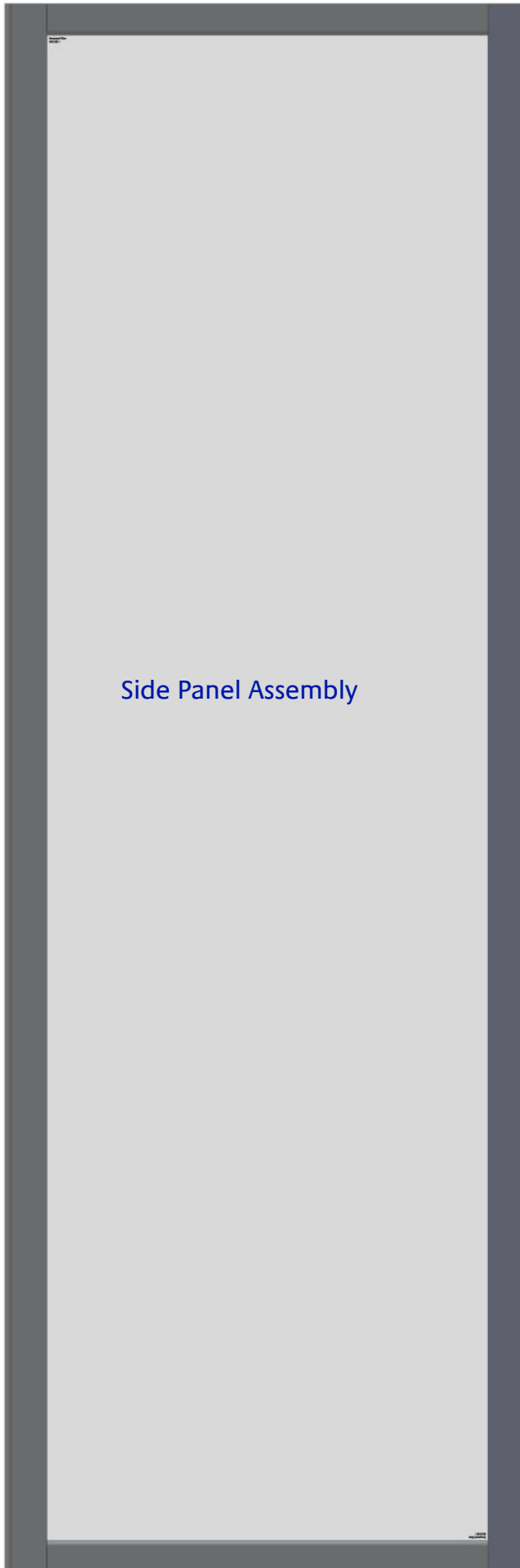
Quality Guarantee : Lakes Bathrooms Ltd guarantee Shower Doors & Enclosures against any manufacturing or material defects for the lifetime of the product. We will resolve defects free of charge by repairing / replacing parts as we feel necessary. To be 'free of charge' service work must be carried out by Lakes Bathrooms or approved agents.

Seals are considered 'wear & tear' parts, as such they are guaranteed for 12 months from purchase. Not Covered by this Guarantee : Damage or defects that result from improper installation, improper use, or lack of maintenance (including limescale buildup). Damage or defects that result from repairs / modifications undertaken by unauthorized persons. This guarantee is in addition to statutory & other legal rights.

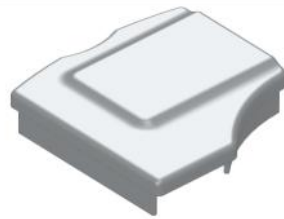
What to do if something goes wrong : Should the product not function correctly on initial use, firstly, contact the installer to check that unit installation & commissioning are in accordance with these instructions. Should this not resolve difficulties or should performance decline, consult 'Troubleshooting' section to see if simple home maintenance is needed. Alternatively our HELPLINE staff can assist, or if necessary arrange for a service engineer to visit.

Spares : We maintain extensive spare part stocks. Spares can be ordered / purchased from your retailer in the first instance. Parts will normally be dispatched within two working days from order placement.

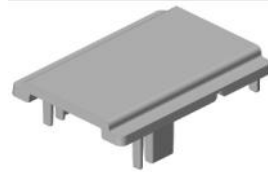
**SUPPLIED PARTS :**



Cover Section  
(for corner post ONLY)  
1x (see fig C)



Top Cap (corner profile)  
Handed pair

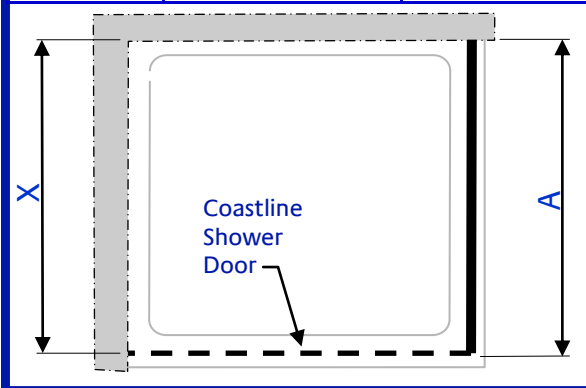


Top Cap (vertical frame)  
1x

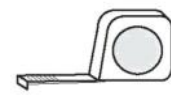


3,5 x 10 pan head self tapping screw  
4x

| SIZE       | Adjustment A | Wall Profile Position 'X' |
|------------|--------------|---------------------------|
| 700 (070)  | 670—700mm    | 685mm                     |
| 750 (075)  | 720—750mm    | 735mm                     |
| 800 (080)  | 770—800mm    | 785mm                     |
| 900 (090)  | 870—900mm    | 885mm                     |
| 1000 (100) | 970—1000mm   | 985mm                     |



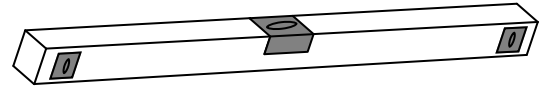
### Tools Required



Tape Measure



Pencil



Spirit Level (with vertical 'bubble')



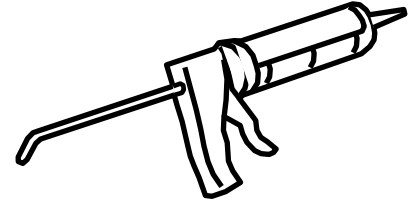
Pozidriv Screwdriver



3mm HSS drill bit



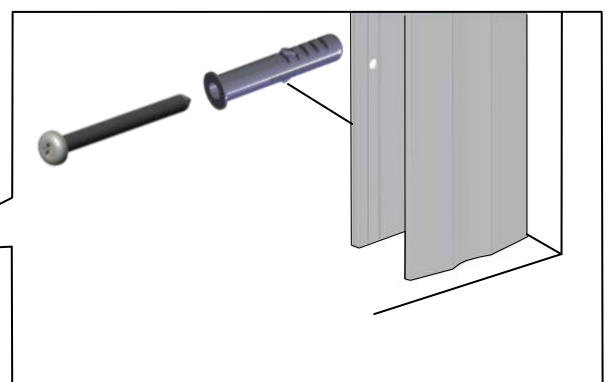
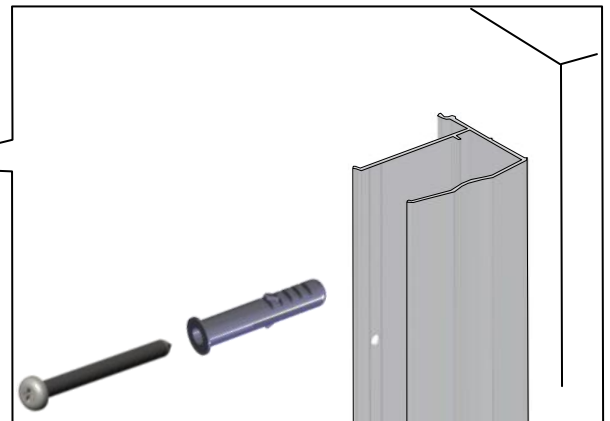
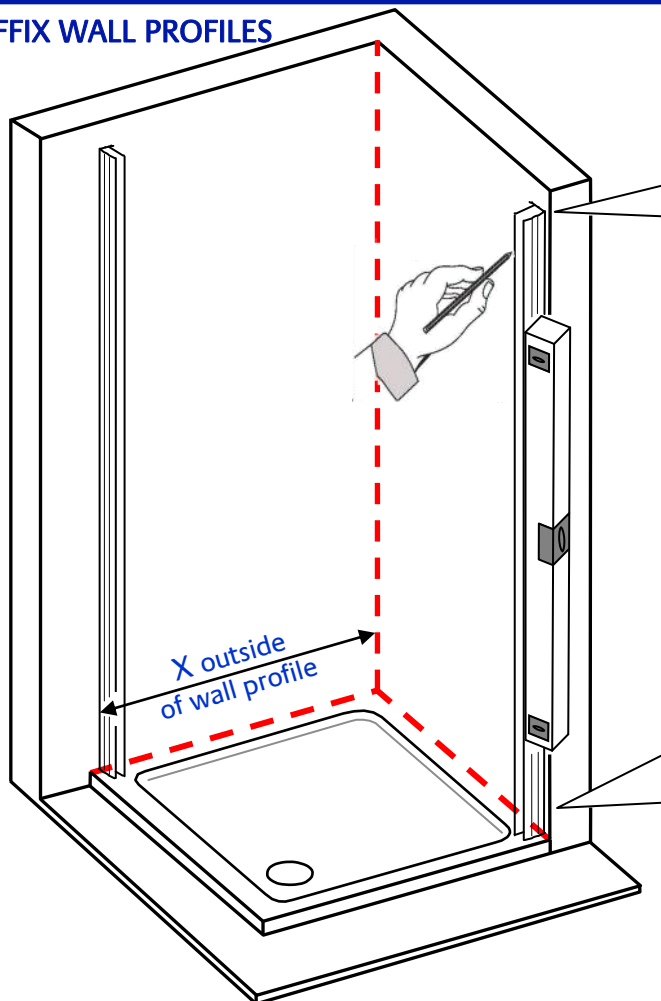
Power drill & 8mm masonry bit



Good quality silicone sealant & applicator

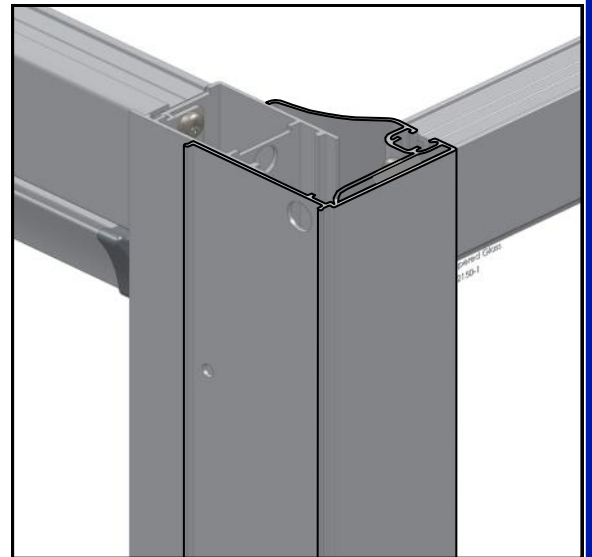
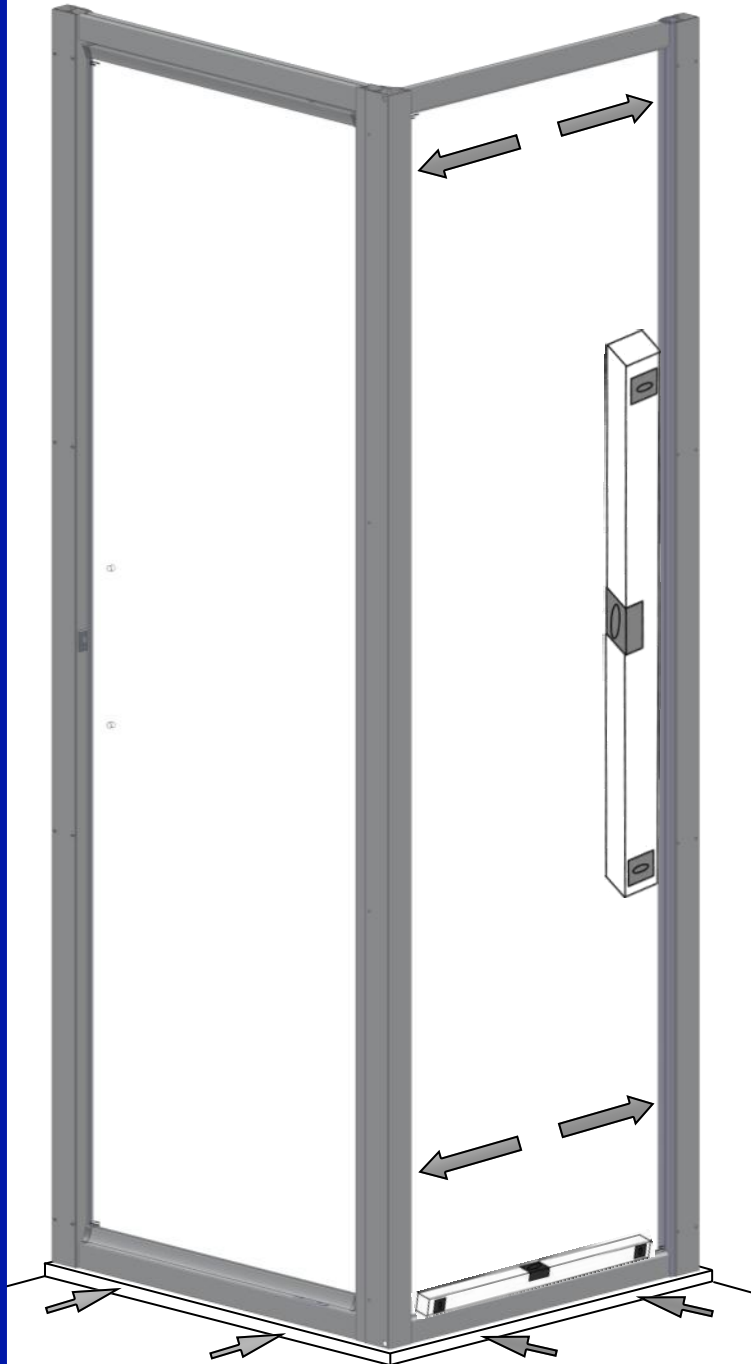
Lakes Coastline Side Panel is fully reversible, for use in conjunction with Coastline shower doors. Ensure tray is correctly levelled & that all tray/wall joints are sealed & cured over entire length of tray sides (See - - - - Fig A) prior to fitting enclosure. **DO NOT SEAL BASE / WALL EDGES UPTO A FITTED ENCLOSURE !**

### (A) AFFIX WALL PROFILES



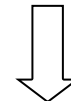
Wall profile orientation : Screw flanges to inside of enclosure. Measure, plumb & mark wall profile positions, drill, plug & affix both wall profiles.

**B** INSTALL DOOR & SIDE PANEL (refer also to door fitting instructions).  
PLUMB, AFFIX FRAMES, COVER PROFILES & CAPS.

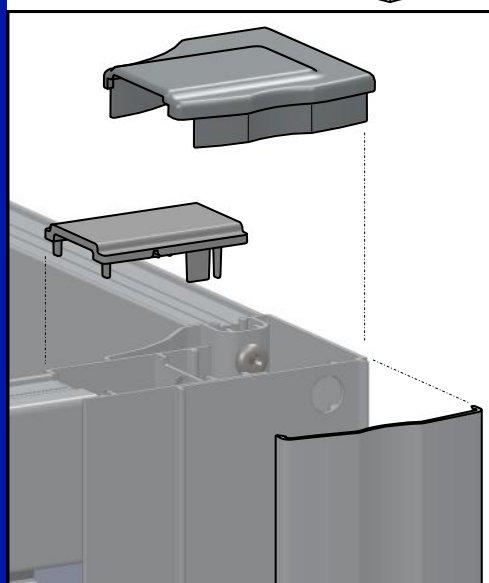


Carefully lift side panel onto tray & engage corner profile onto door frame.

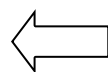
Manipulate door & side panel in wall mounts until plumb (check vertical & horizontal frame members). Check that frame is parallel to tray edges. With frame in desired position, using fixing profile holes as a guide, drill dia 3mm pilot holes & affix door & side panel frames to wall mounts with 4 off 3,5 x 10 self tapping screws each.



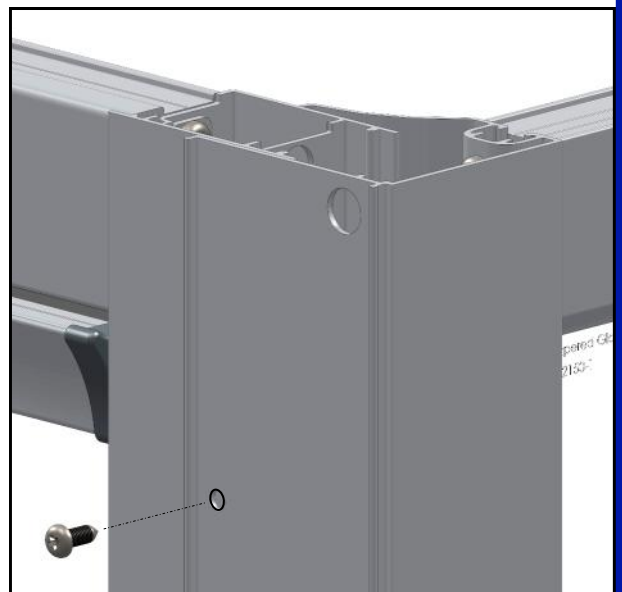
Using corner profile holes as a guide, drill dia 3mm pilot holes & affix door to side panel with 4 off 3,5 x 10 self tapping screws.



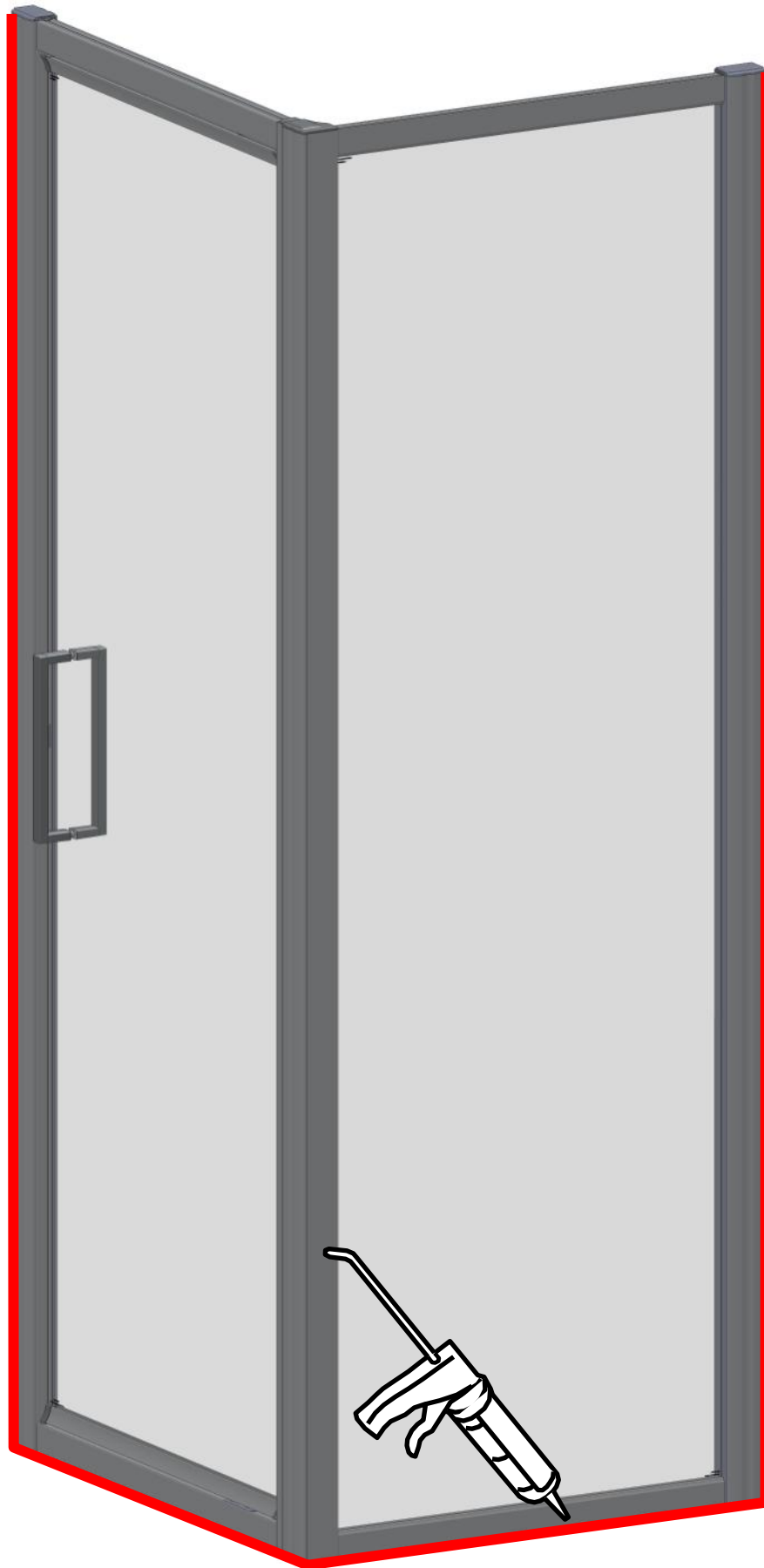
Carry out door adjustments & check function.



Fit corner post cover section & profile caps.



**© SEALING**



Use of good quality silicone sealant & cleaning / degreasing of all joint areas is recommended.

Apply continuous silicone sealant bead **EXTERNALLY ONLY**

## BASIC TROUBLESHOOTING :

### Leakage :

The sealing method described in these instructions relies on a continuous seal being applied between shower walls & tray before installing the enclosure (see fig A), it ensures a watertight seal around the perimeter of the enclosure to the shower walls & tray.

In the unlikely event of an enclosure leak, water will be visible on the outside of the enclosure itself, or around the perimeter joints ONLY. Water / moisture appearing outside this area (ie at floor level) is normally due to incorrect tray installation.



### Lakes Bathrooms Ltd

Alexandra Way  
Ashchurch  
Tewkesbury  
Gloucestershire GL20 8NB

Service England, Scotland, Wales

8.30am—5pm Mon ~ Thurs  
8.30am—4.30pm Fri  
Tel / HELPLINE : 01684 853870  
Fax : 01684 857411  
[www.lakesbathrooms.co.uk](http://www.lakesbathrooms.co.uk)  
Email : [admin@lakesbathrooms.co.uk](mailto:admin@lakesbathrooms.co.uk)

Service : Northern Ireland  
Ian A Kernohan  
Firtrees  
Green Way Industrial Estate  
Conlig  
Northern Ireland  
BT23 7SU

8.30am—5pm Mon ~ Thurs  
8.30am—4.30pm Fri  
Tel : 02891 270233  
Fax : 02891 270597  
Email : [info@iakonline.com](mailto:info@iakonline.com)