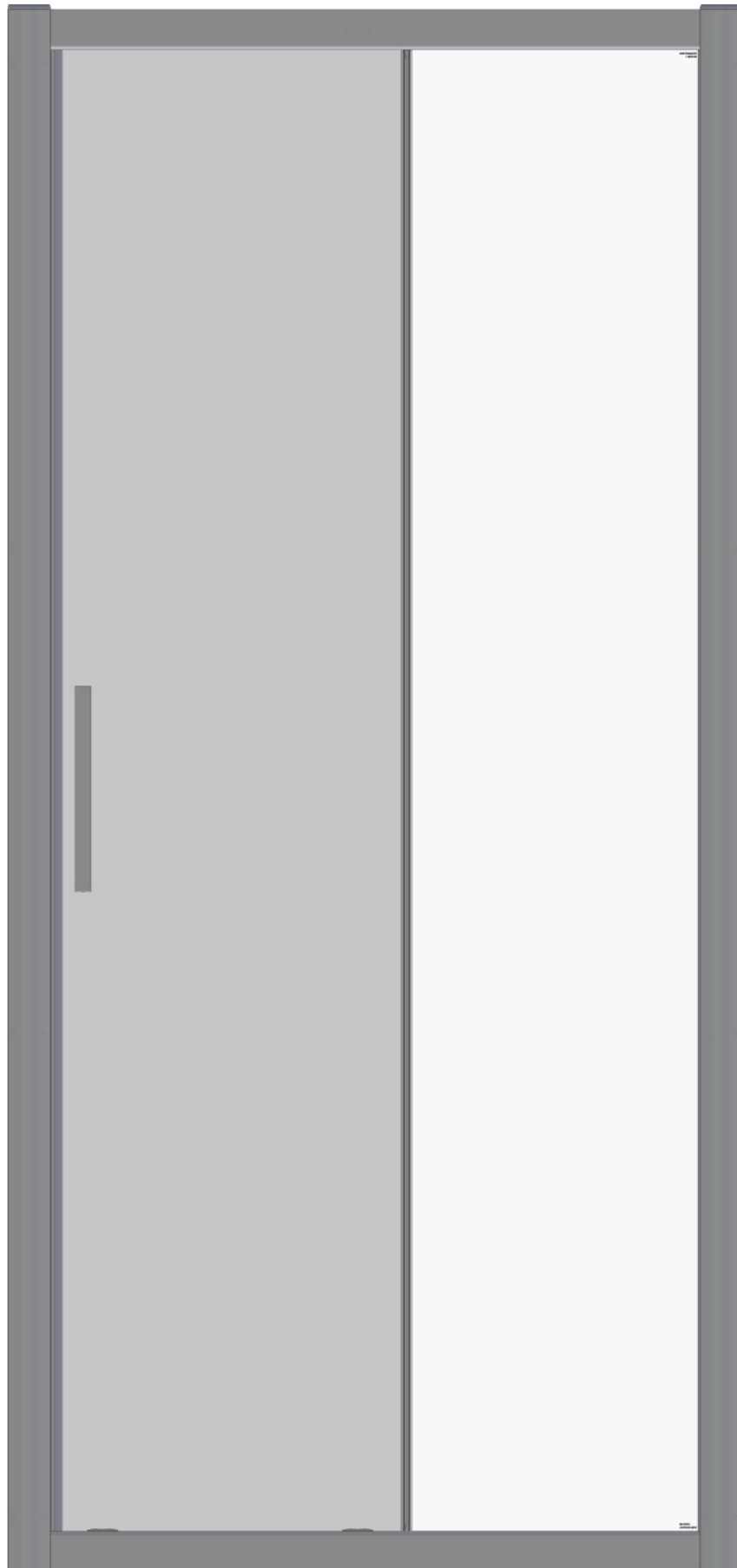


COASTLINE SLIDING DOOR

Installation / Maintenance Instructions

Rev 01.19



IMPORTANT NOTES :

Please Read Carefully & retain these instructions for Future Reference.

1. For ease & safety we advise that two persons assemble this product.
2. Protect shower tray surfaces at all times.
3. Exposed glass corners / edges MUST NOT contact hard surfaces at any time.
4. Check for cables, pipes etc before drilling walls.
5. Ensure all surfaces are dry, clean & free of loose debris / dust.
6. Unpack goods with care (small parts can become lodged in packaging & inadvertently discarded). Check parts supplied against parts & fittings listed herein. Damaged parts / omissions may be resolved by calling Lakes Bathrooms Helpline.
7. Whilst precautions are taken in manufacture, care must be taken when handling as rail ends may have sharp edges.
8. Before commencing, check :
 - a) shower tray (or base) is level & completely sealed to finished / tiled walls.
 - b) finished walls are sound & free of cracks, loose tiles / grout.

SILICONE SEALANT.

USE :

General Care & Maintenance.

Provided this product is installed & operated in accordance with these instructions, problems should not arise. However should maintenance be required it should be carried out by a competent person with reference to these instructions. Before any work is carried out the root cause of the problem must be identified. Lakes Bathrooms service engineers are available if necessary to consult / carry out remedial work. Call Lakes Bathrooms HELPLINE.

Cleaning.

(Every one to two weeks depending on local water {hardness} conditions).

the need for frequent cleaning. For best appearance / product life however, regular cleaning is recommended.

Use ONLY mild soap / detergent solutions to clean. Rinse with water, squeegee glass panels & wipe frames dry with a soft cloth. Under no circumstances should abrasive, caustic or scouring products be used. Non compliance with these cleaning instructions may cause decorative finishes to deteriorate & could adversely affect safe operation of the enclosure.

Daily Care.

To prevent the build up of limescale, do not allow water droplets to dry on glass or frames. After showering, rinse with water, remove droplets from glass with a squeegee & wipe frame with a soft cloth.

Customer Service.

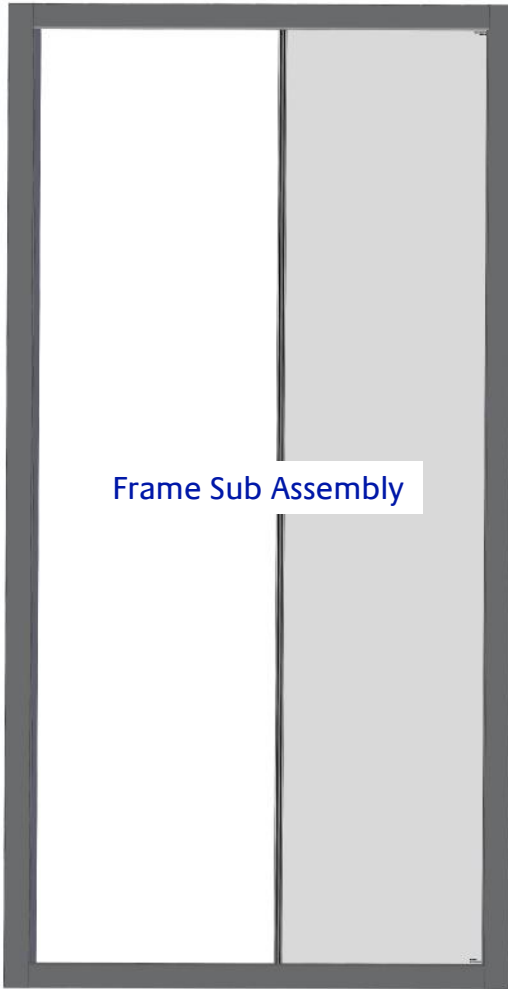
Quality Guarantee : Lakes Bathrooms Ltd guarantee Shower Doors & Enclosures against any manufacturing or material defects for the lifetime of the product. We will resolve defects free of charge out by Lakes Bathrooms or approved agents.

Seals are considered 'wear & tear' parts, as such they are guaranteed for 12 months from purchase. Not Covered by this Guarantee : Damage or defects that result from improper installation, improper use, or lack of maintenance (including limescale buildup). Damage or defects that result from repairs / modifications undertaken by unauthorized persons. This guarantee is in addition to statutory & other legal rights.

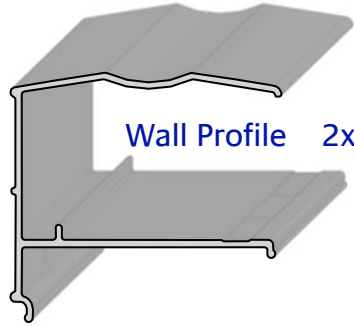
What to do if something goes wrong : Should the product not function correctly on initial use, firstly, contact the installer to check that unit installation & commissioning are in accordance with these instructions. Should this not resolve difficulties or should performance decline, consult can assist, or if necessary arrange for a service engineer to visit.

Spares : We maintain extensive spare part stocks. Spares can be ordered / purchased from your retailer in the first instance. Parts will normally be dispatched within two working days from order placement.

SUPPLIED PARTS : Sizes 100 to 120 incl.

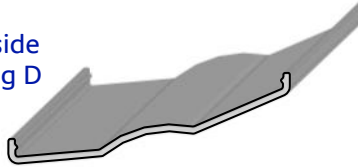


Frame Sub Assembly

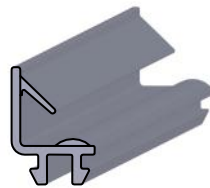


Wall Profile 2x

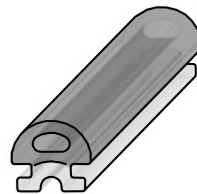
wall side
See fig D



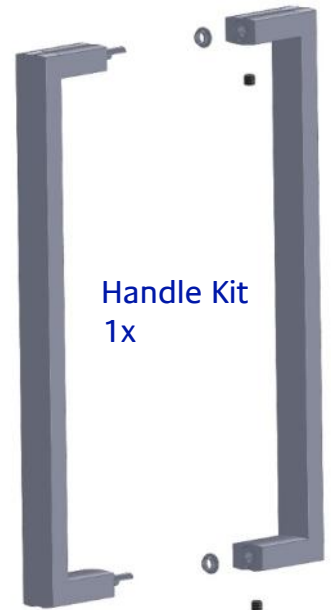
Cover Section
2x



Door stop seal
1x



Bump stop 1x



Handle Kit
1x



Door Glass



Top Wheel 2x



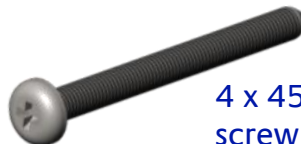
Top Cap (vertical frame)
2x



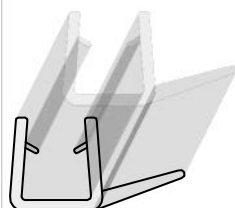
Bottom Wheel 2x



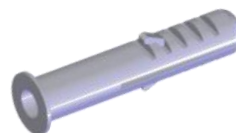
Top Cap (wall profile)
2x



4 x 45 pan head self tapping
screw 8x



Edge Seal
1x 1989mm & 1x 1896mm



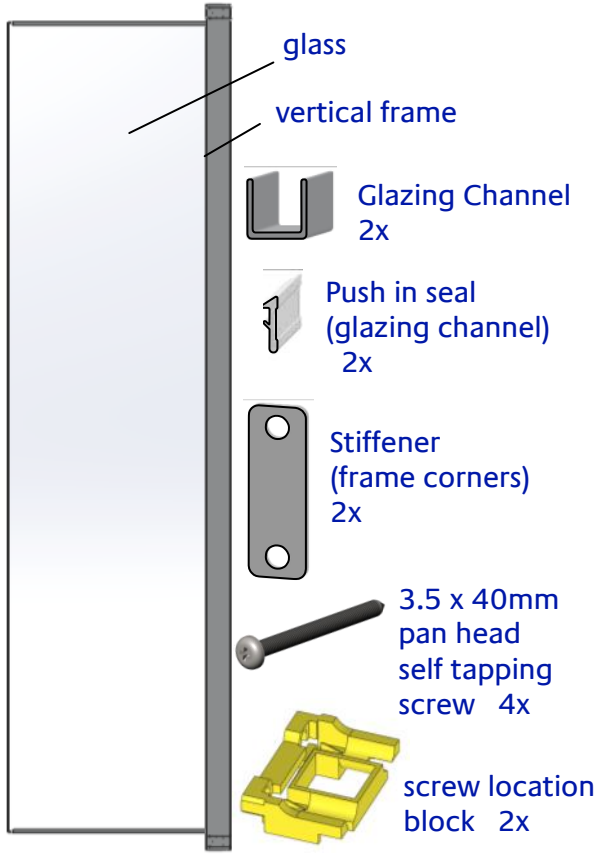
Wall Plug 8x



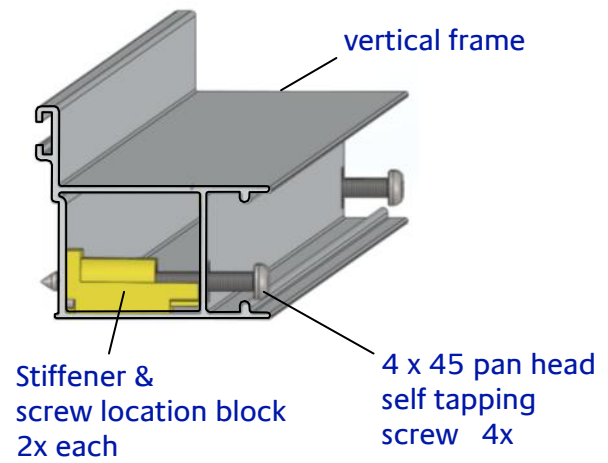
3,5 x 10 pan head self tapping
screw 8x

SUPPLIED PARTS : Sizes 140 upwards.

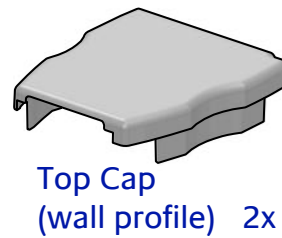
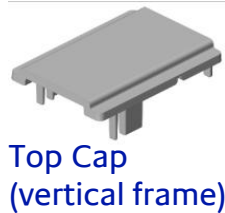
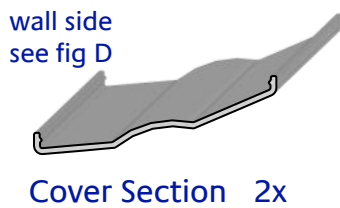
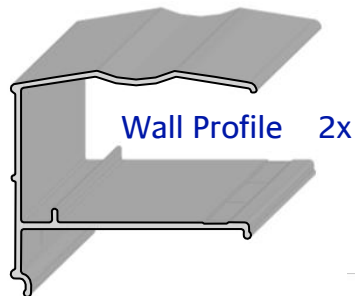
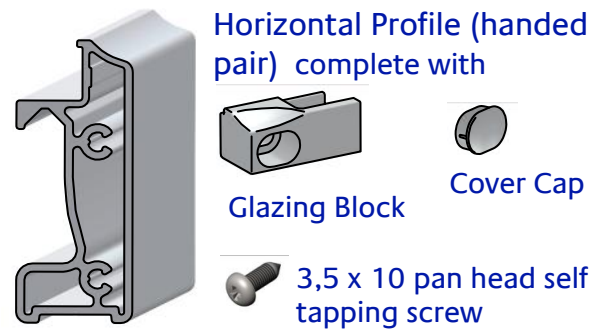
Fixed Panel Sub Assy : comprising

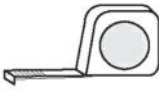
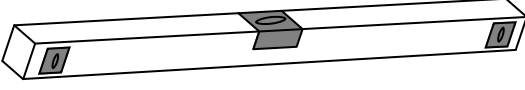




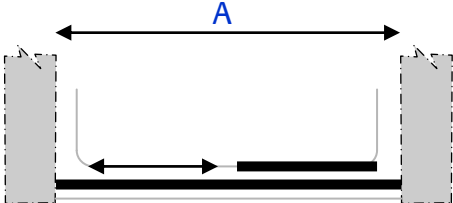
Vertical Profile Sub Assy : comprising




Horizontal Profile (handed pair) complete with



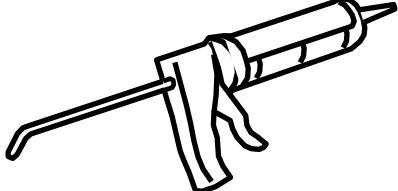
SIZE	Adjustment A	Kit / Assy	Tools Required	
1000 (100)	940—1000mm	Assembled		
1100 (110)	1040—1100mm			
1200 (120)	1140—1200mm			
1400 (140)	1340—1400mm	Kit Form		
1500 (150)	1440—1500mm			
1600 (160)	1540—1600mm			
1700 (170)	1640—1700mm			



A



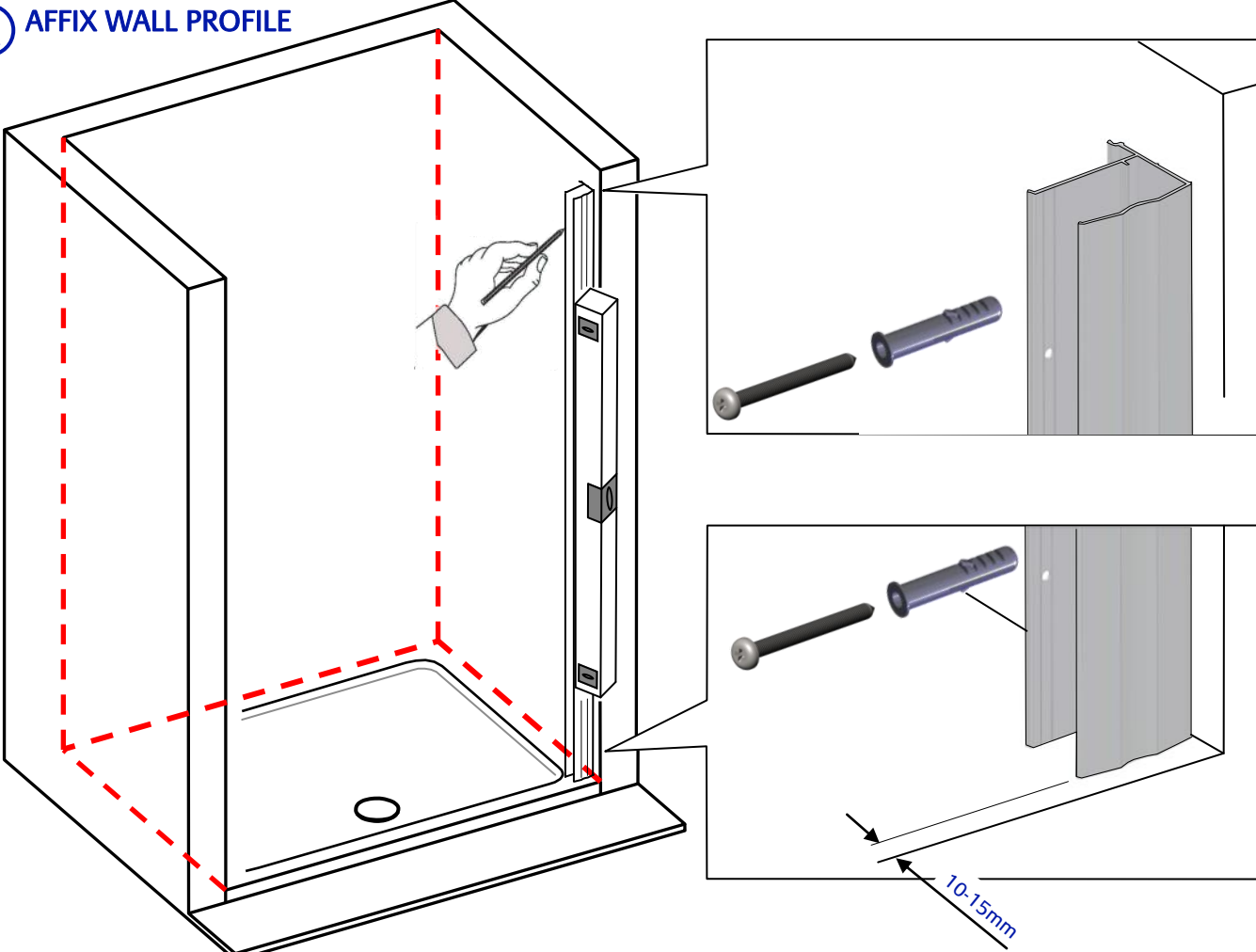
3mm HSS
drill bit



Good quality silicone
sealant & applicator

Lakes Coastline Sliding Door is fully reversible, so suitable for fitting with door to left or right hand side of enclosure. Ensure tray is correctly levelled & that all tray/wall joints are sealed & cured over entire length of tray sides (See - - - - Fig A) prior to fitting enclosure. **DO NOT SEAL BASE / WALL EDGES UPTO A FITTED ENCLOSURE !**

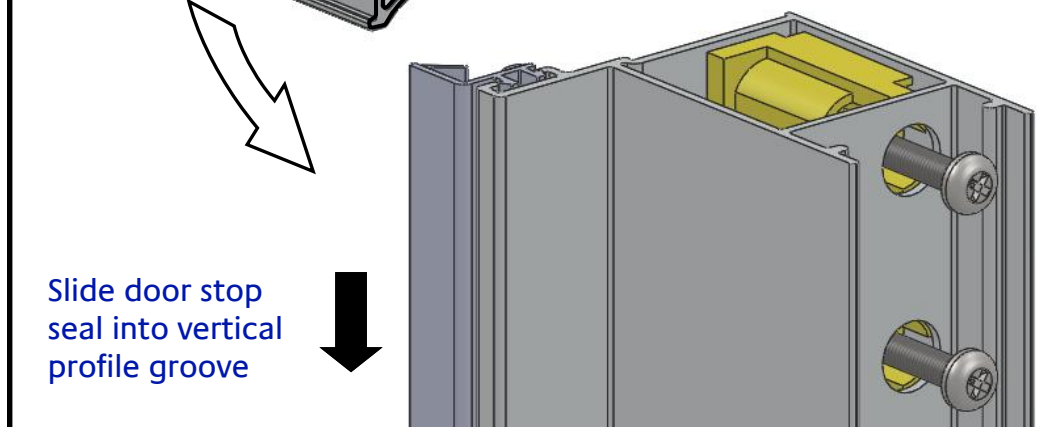
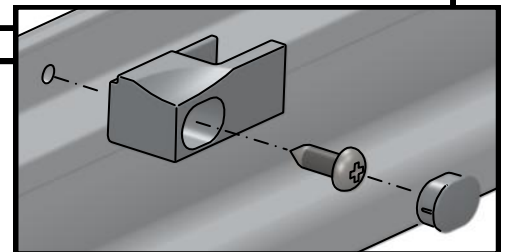
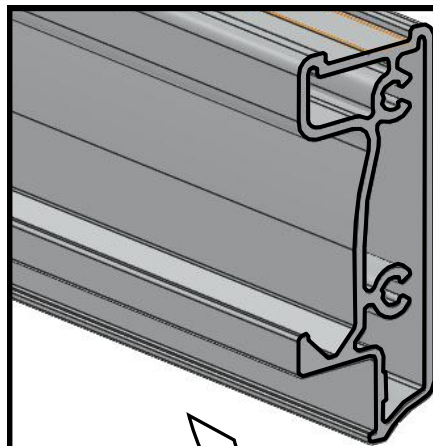
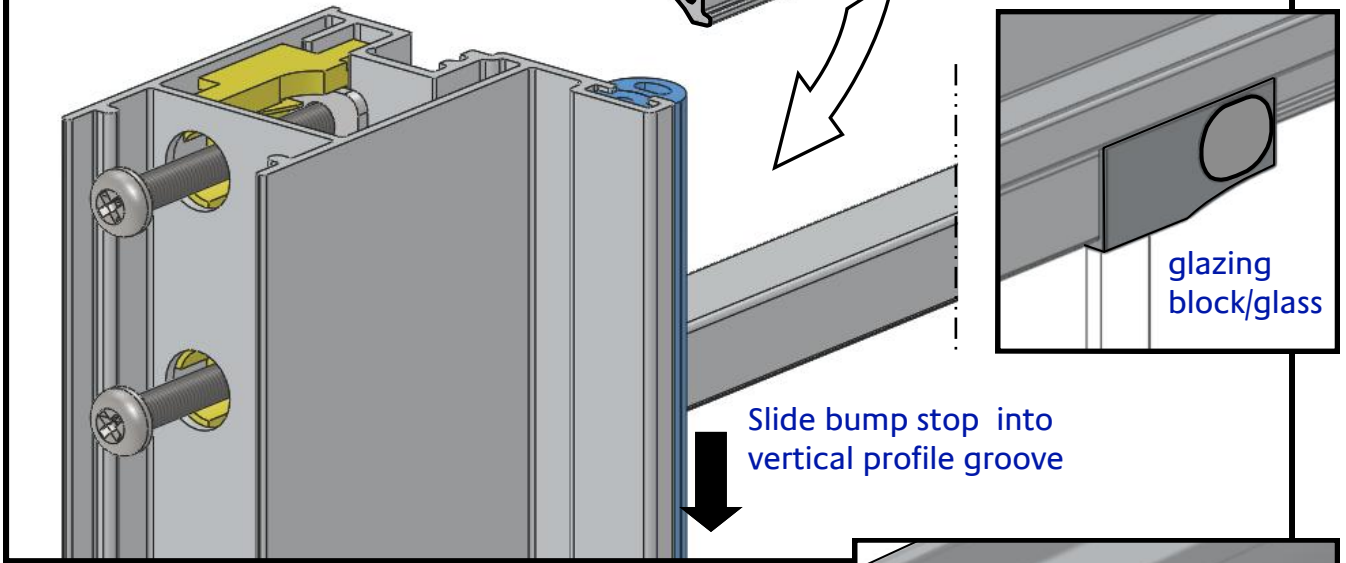
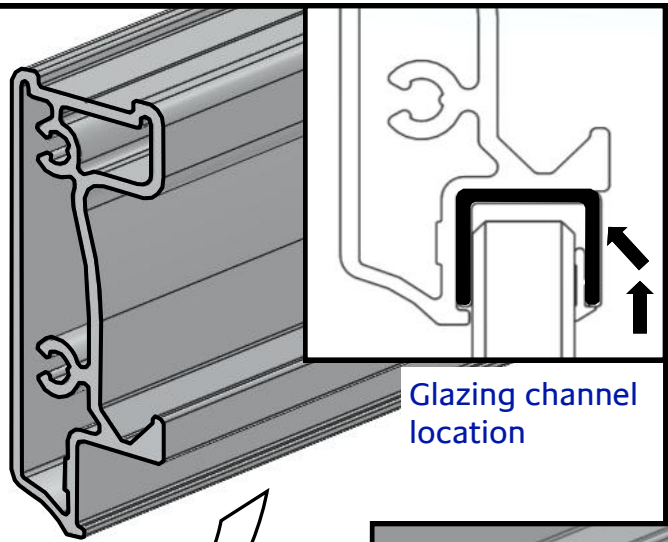
(A) AFFIX WALL PROFILE



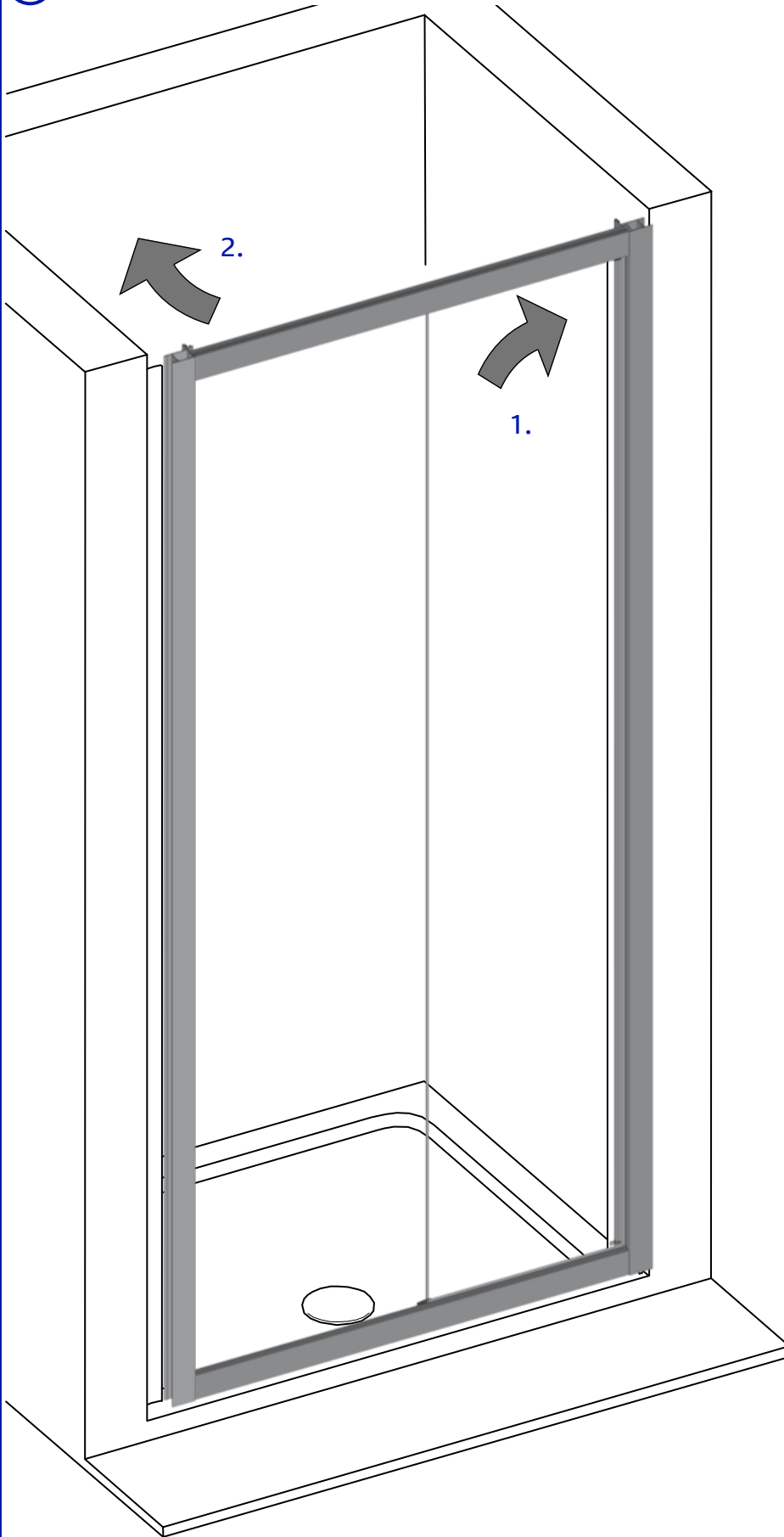
Wall profile orientation : Mounting holes to inside (wet area).
 Measure, plumb & mark wall profile positions, drill, plug & affix 1 wall profile only at this time.

B FRAME SUB ASSEMBLY

Glazed Corners. Assemble horizontal profile onto glass end as shown. Check glazing block location around glass corner, & check glazing channel location in horizontal frame before fully tightening corner screws (2 per corner).



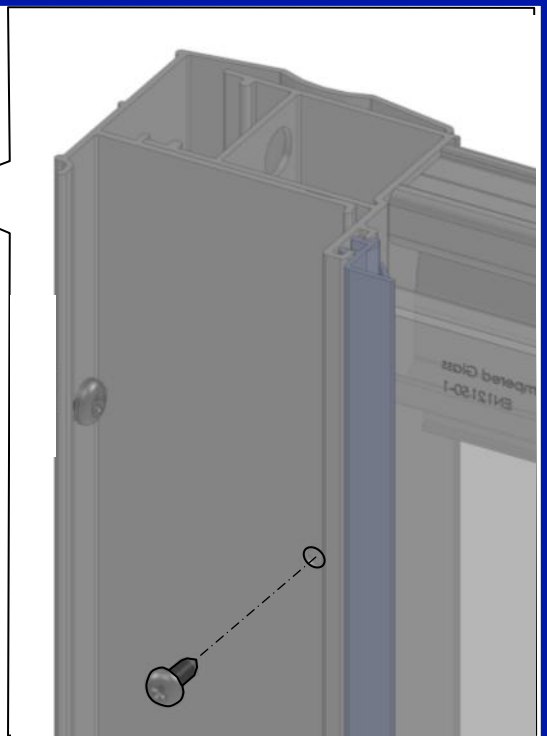
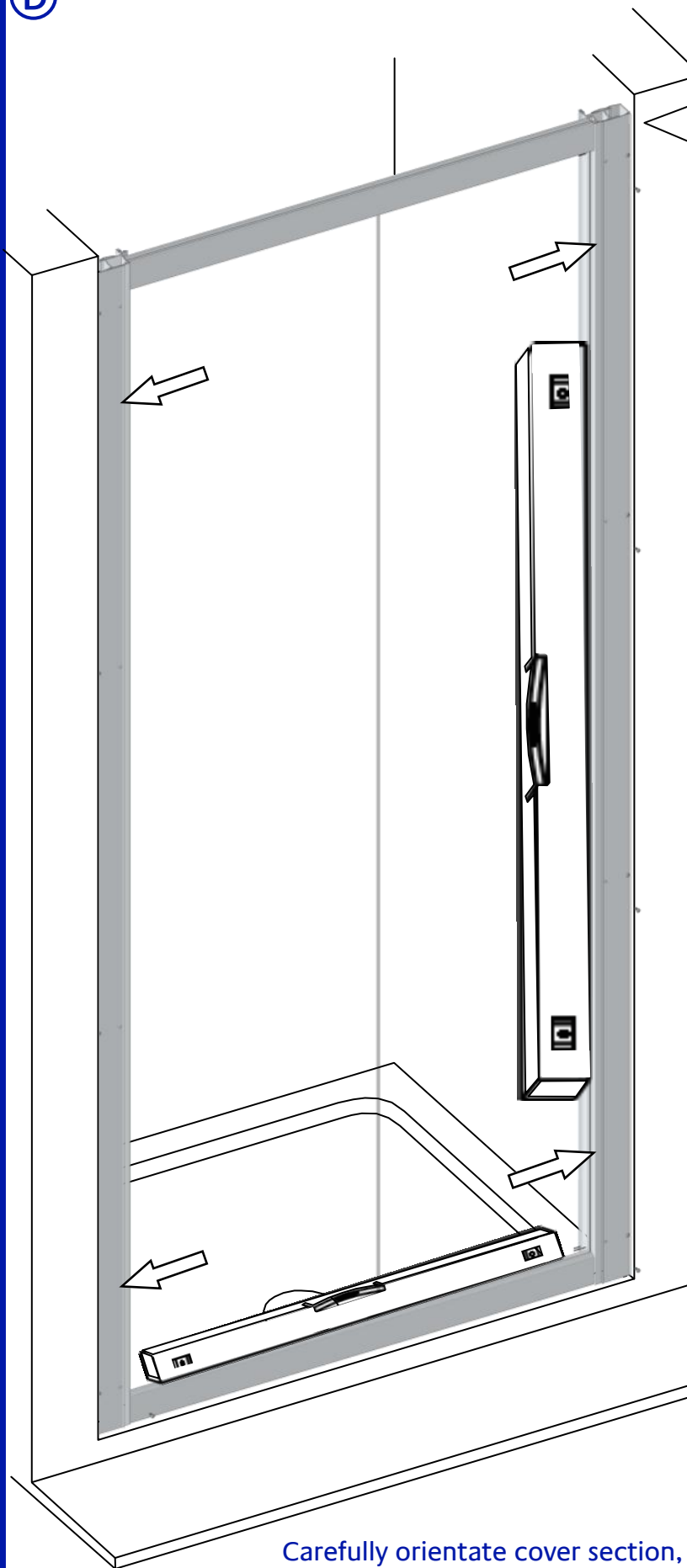
© INSERT FRAME & AFFIX 2ND WALL PROFILE



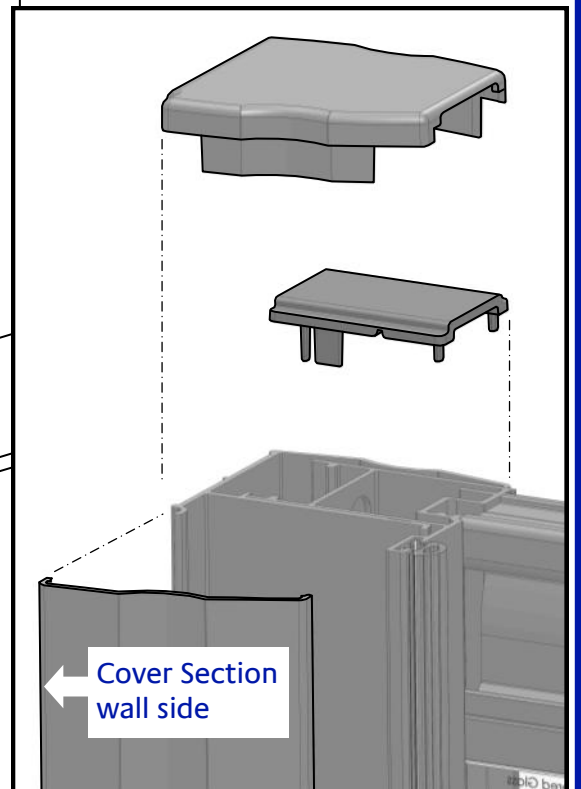
With 2nd wall profile fitted to frame:

1. Carefully lift door onto tray & push into fixed wall profile.
2. At loose side, push back, re-align & affix wall profile to wall using 4 x 45 long screws.

D PLUMB, AFFIX FRAME & CAPPING



Manipulate & centralise frame in wall mounts until plumb (check vertical & horizontal frame members).
With frame in desired position, from inside enclosure, using wall profile holes as a guide, drill dia 3mm pilot holes & affix frame to wall mounts with 4 off 3,5 x 10 self tapping screws per side (8 total).

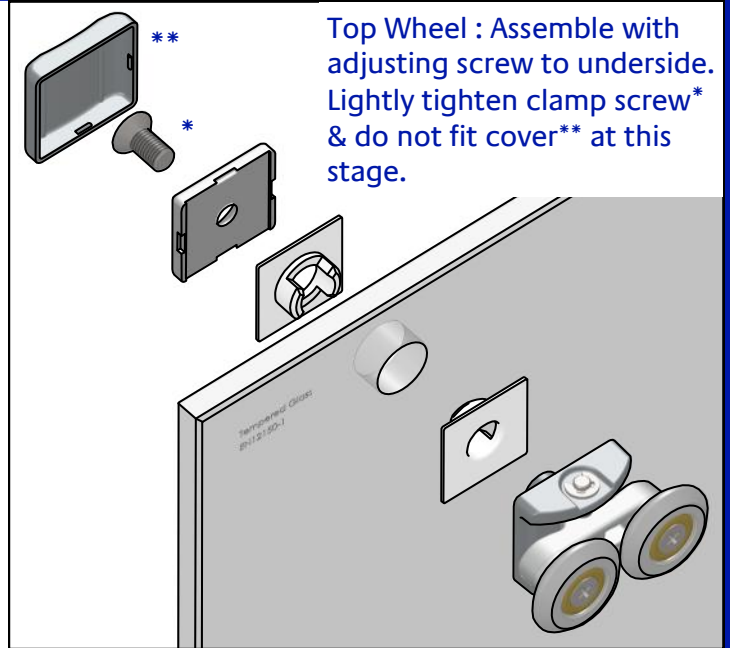


Carefully orientate cover section, & from inside enclosure, working from top to bottom, snap fit cover section onto wall profile. Fit frame & wall profile top cover caps.

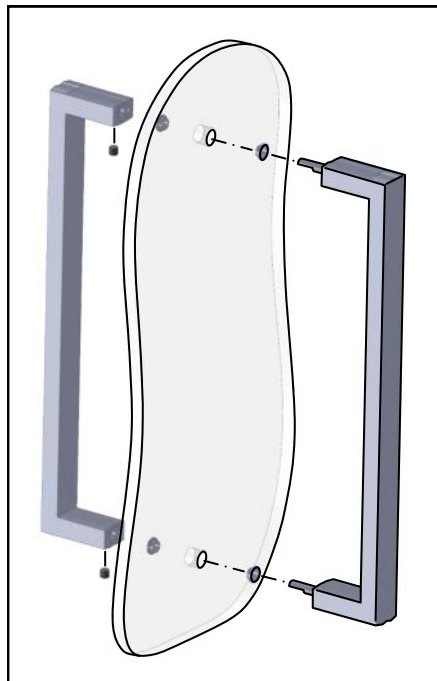
← Cover Section wall side

E DOOR ASSEMBLY

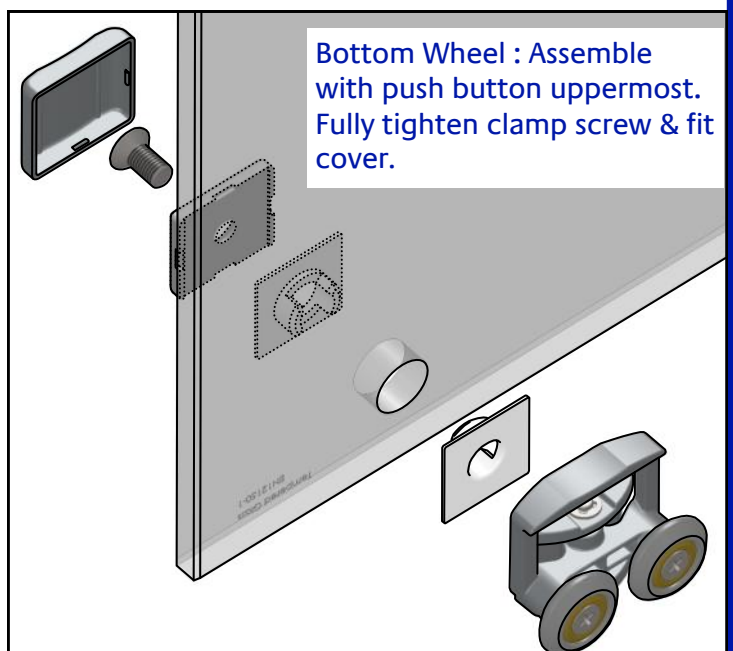
Left hand shown.



Top Wheel : Assemble with adjusting screw to underside. Lightly tighten clamp screw* & do not fit cover** at this stage.

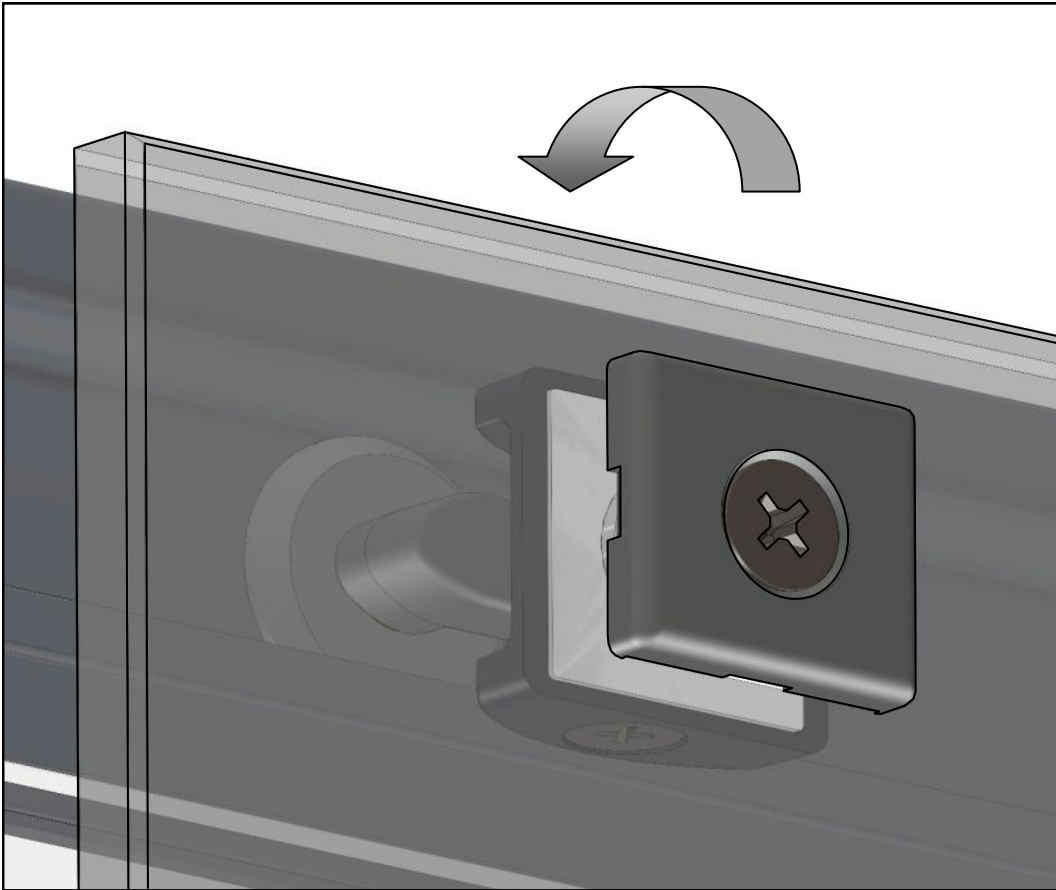


Assemble handle to glass as shown (handle with pins to outside). Ensure plastic washers fitted each side beneath handles. Tighten grub screws fully to retain.

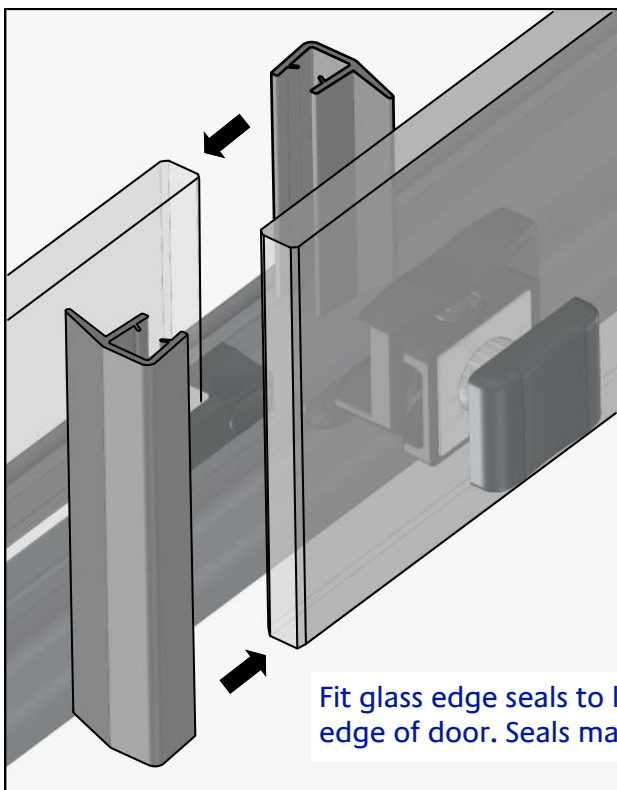


Bottom Wheel : Assemble with push button uppermost. Fully tighten clamp screw & fit cover.

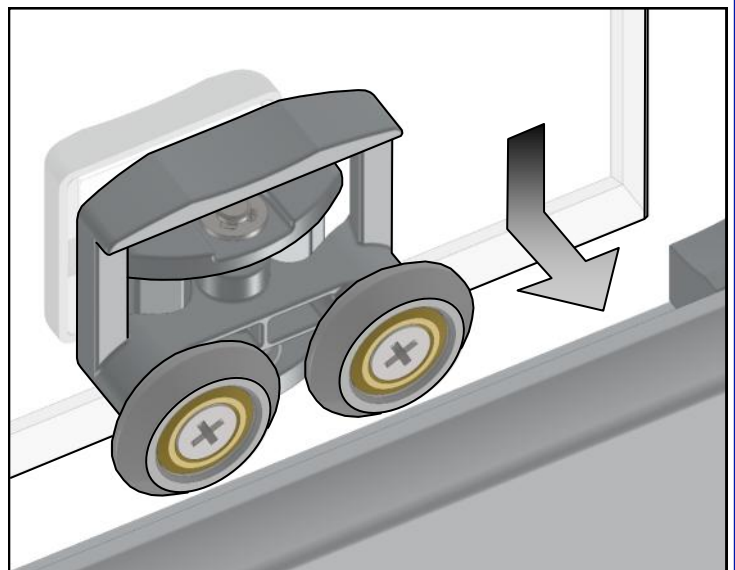
F FIT SEALS & HANG DOOR



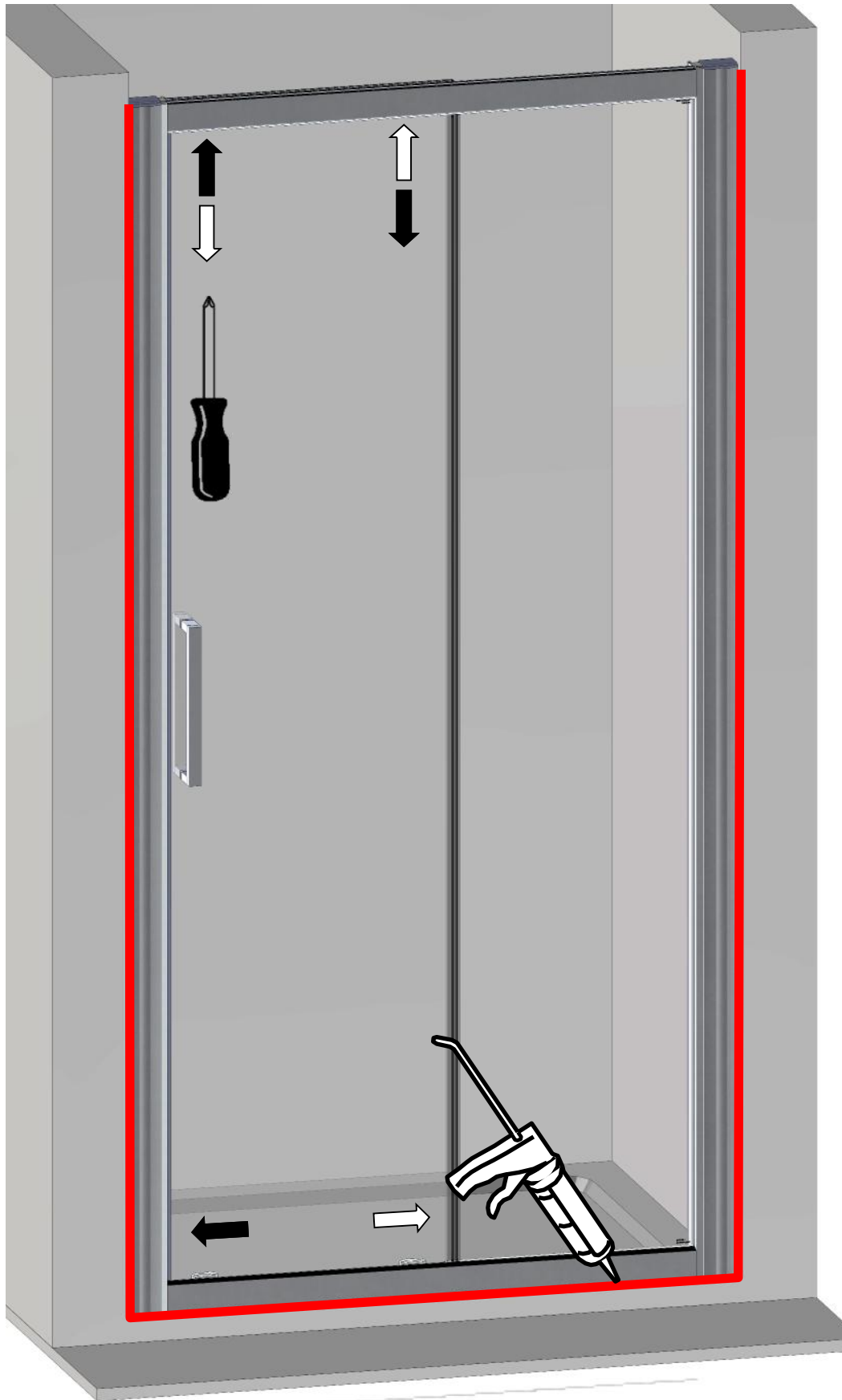
Carefully lift door into enclosure & engage top wheels into wheel groove.
(If necessary loosen, but do not remove centre screw to permit engagement).
Immediately after all wheels are correctly engaged, fully tighten centre screw to retain door.
Fit internal wheel covers **.
From outside enclosure, using buttons, engage bottom wheels in bottom



Fit glass edge seals to leading edge of fixed panel & trailing edge of door. Seals may be wetted to ease assembly.



G ADJUST DOOR & SEALING



From underside of top wheels, adjust door height until bottom wheels are engaged in horizontal profile (no wobble). Then adjust door angle plumb with vertical frame profiles (check door edge contact with bump stop). Use of good quality silicone sealant & cleaning / degreasing of all joint areas is recommended. Apply continuous silicone sealant bead EXTERNALLY ONLY

BASIC TROUBLESHOOTING :

Door motion noisy / Door not running smoothly / Door loose on bottom rail :

Check for edge seals dragging on glass (can cause 'clicking' noise).

Check top wheels engaged properly in rails & roll smoothly along rails.

Check door height adjustment ~ raise doors so that spring loaded bottom wheels are in contact with, & roll smoothly along bottom rail.

Wheels & grooves are factory greased, however over time this may disperse or become contaminated by dust etc, cleaning of grooves & re application of sanitary silicone based grease will restore & ensure smooth door motion.

Door rocks in frame on fully opening / closing (on door reaching stops) :

Check door plumb ~ adjust angle until full contact with stops is achieved.

Leakage :

The sealing method described in these instructions relies on a continuous seal being applied between shower walls & tray before installing the enclosure (see fig A), it ensures a watertight seal around the perimeter of the enclosure to the shower walls & tray.

In the unlikely event of an enclosure leak, water will be visible on the outside of the enclosure itself, or around the perimeter joints ONLY. Water / moisture appearing outside this area (ie at floor level) is normally due to incorrect tray installation.

Lakes Bathrooms Ltd

Alexandra Way
Ashchurch
Tewkesbury
Gloucestershire GL20 8NB

Service England, Scotland, Wales

8.30am—5pm Mon ~ Thurs

8.30am—4.30pm Fri

Tel / HELPLINE : 01684 853870

Fax : 01684 857411

www.lakesbathrooms.co.uk

Email : admin@lakesbathrooms.co.uk

Service : Northern Ireland

Ian A Kernohan

Firtrees

Green Way Industrial Estate

Conlig

Northern Ireland

BT23 7SU

8.30am—5pm Mon ~ Thurs

8.30am—4.30pm Fri

Tel : 02891 270233

Fax : 02891 270597

Email : info@iakonline.com