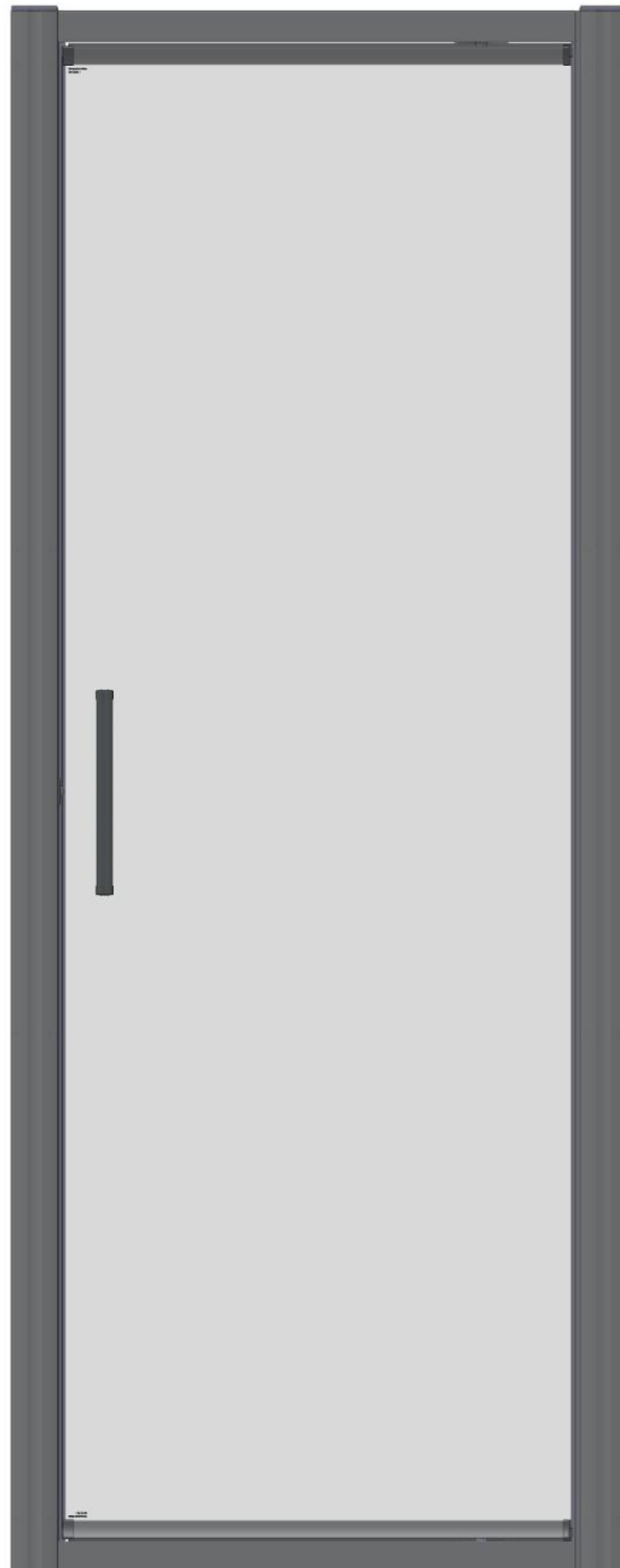


# COASTLINE PIVOT DOOR

## Installation / Maintenance Instructions

Rev 01.19



**LAKES**  
SHOWERING SPACES

## **IMPORTANT NOTES :**

Please Read Carefully & retain these instructions for Future Reference.

1. For ease & safety we advise that two persons assemble this product.
2. Protect shower tray surfaces at all times.
3. Exposed glass corners / edges **MUST NOT** contact hard surfaces at any time.
4. Check for cables, pipes etc before drilling walls.
5. Ensure all surfaces are dry, clean & free of loose debris / dust.
6. Unpack goods with care (small parts can become lodged in packaging & inadvertently discarded). Check parts supplied against parts & fittings listed herein. Damaged parts / omissions may be resolved by calling Lakes Bathrooms Helpline.
7. Whilst precautions are taken in manufacture, care must be taken when handling as rail ends may have sharp edges.
8. Before commencing, check :
  - a) shower tray (or base) is level & completely sealed to finished / tiled walls.
  - b) finished walls are sound & free of cracks, loose tiles / grout.
8. **AFTER INSTALLATION, DO NOT 'WET' ENCLOSURE FOR 48 HOURS TO ENSURE FULL CURE OF SILICONE SEALANT.**

## **USE :**

### **General Care & Maintenance.**

Provided this product is installed & operated in accordance with these instructions, problems should not arise. However should maintenance be required it should be carried out by a competent person with reference to these instructions. Before any work is carried out the root cause of the problem must be identified. Lakes Bathrooms service engineers are available if necessary to consult / carry out remedial work. Call Lakes Bathrooms HELPLINE.

### **Cleaning.**

(Every one to two weeks depending on local water {hardness} conditions).

All glass panels in this product have a hydrophobic coating aiding 'runoff' of water droplets, reducing the need for frequent cleaning. For best appearance / product life however, regular cleaning is recommended.

Use **ONLY** mild soap / detergent solutions to clean. Rinse with water, squeegee glass panels & wipe frames dry with a soft cloth. Under no circumstances should abrasive, caustic or scouring products be used. Non compliance with these cleaning instructions may cause decorative finishes to deteriorate & could adversely affect safe operation of the enclosure.

### **Daily Care.**

To prevent the build up of limescale, do not allow water droplets to dry on glass or frames. After showering, rinse with water, remove droplets from glass with a squeegee & wipe frame with a soft cloth.

### **Customer Service.**

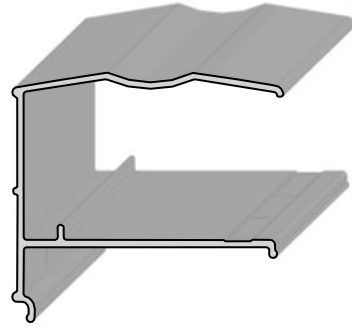
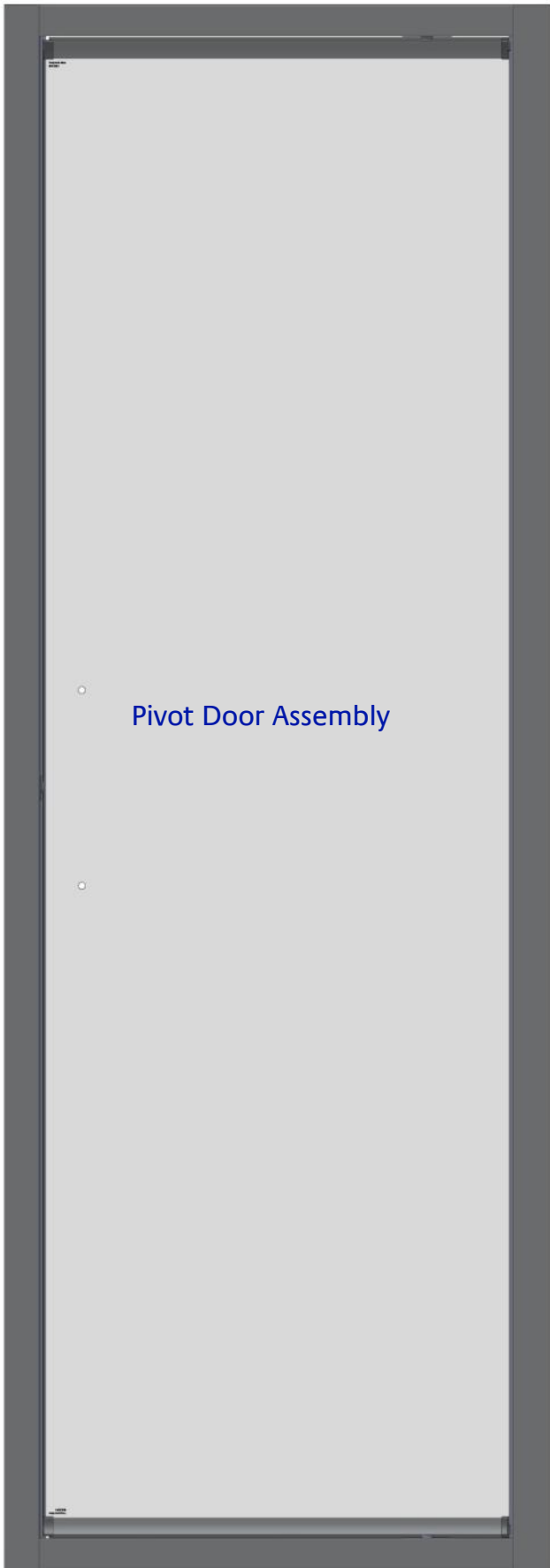
Quality Guarantee : Lakes Bathrooms Ltd guarantee Shower Doors & Enclosures against any manufacturing or material defects for the lifetime of the product. We will resolve defects free of charge by repairing / replacing parts as we feel necessary. To be 'free of charge' service work must be carried out by Lakes Bathrooms or approved agents.

Seals are considered 'wear & tear' parts, as such they are guaranteed for 12 months from purchase. Not Covered by this Guarantee : Damage or defects that result from improper installation, improper use, or lack of maintenance (including limescale buildup). Damage or defects that result from repairs / modifications undertaken by unauthorized persons. This guarantee is in addition to statutory & other legal rights.

What to do if something goes wrong : Should the product not function correctly on initial use, firstly, contact the installer to check that unit installation & commissioning are in accordance with these instructions. Should this not resolve difficulties or should performance decline, consult 'Troubleshooting' section to see if simple home maintenance is needed. Alternatively our HELPLINE staff can assist, or if necessary arrange for a service engineer to visit.

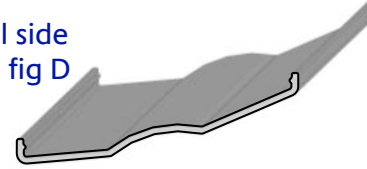
Spares : We maintain extensive spare part stocks. Spares can be ordered / purchased from your retailer in the first instance. Parts will normally be dispatched within two working days from order placement.

**SUPPLIED PARTS :**

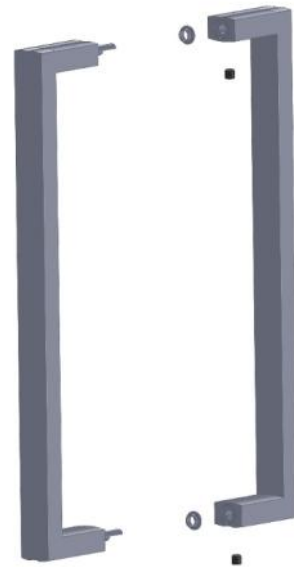


Wall Profile  
2x

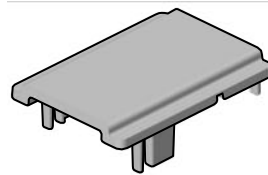
wall side  
See fig D



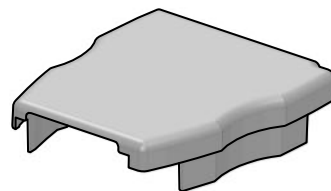
Cover Section  
2x



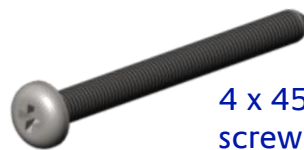
Handle Kit  
1x



Top Cap (vertical frame)  
2x



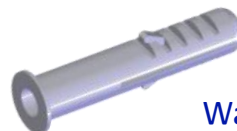
Top Cap (wall profile)  
2x (handed pair)



4 x 45 pan head self tapping  
screw 8x

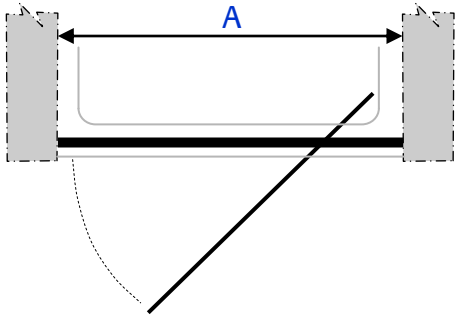


3,5 x 10 pan head self tapping  
screw 8x

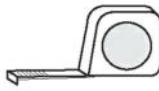


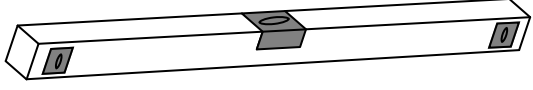



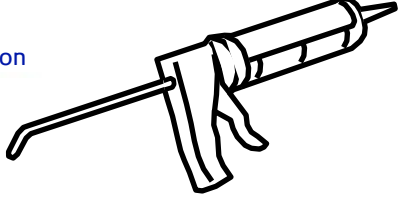


Wall Plug 8x

SIZE	Adjustment Range A
700 (070)	660—720mm
750 (075)	720—780mm
800 (080)	760—820mm
900 (090)	840—900mm
1000 (100)	940—1000mm

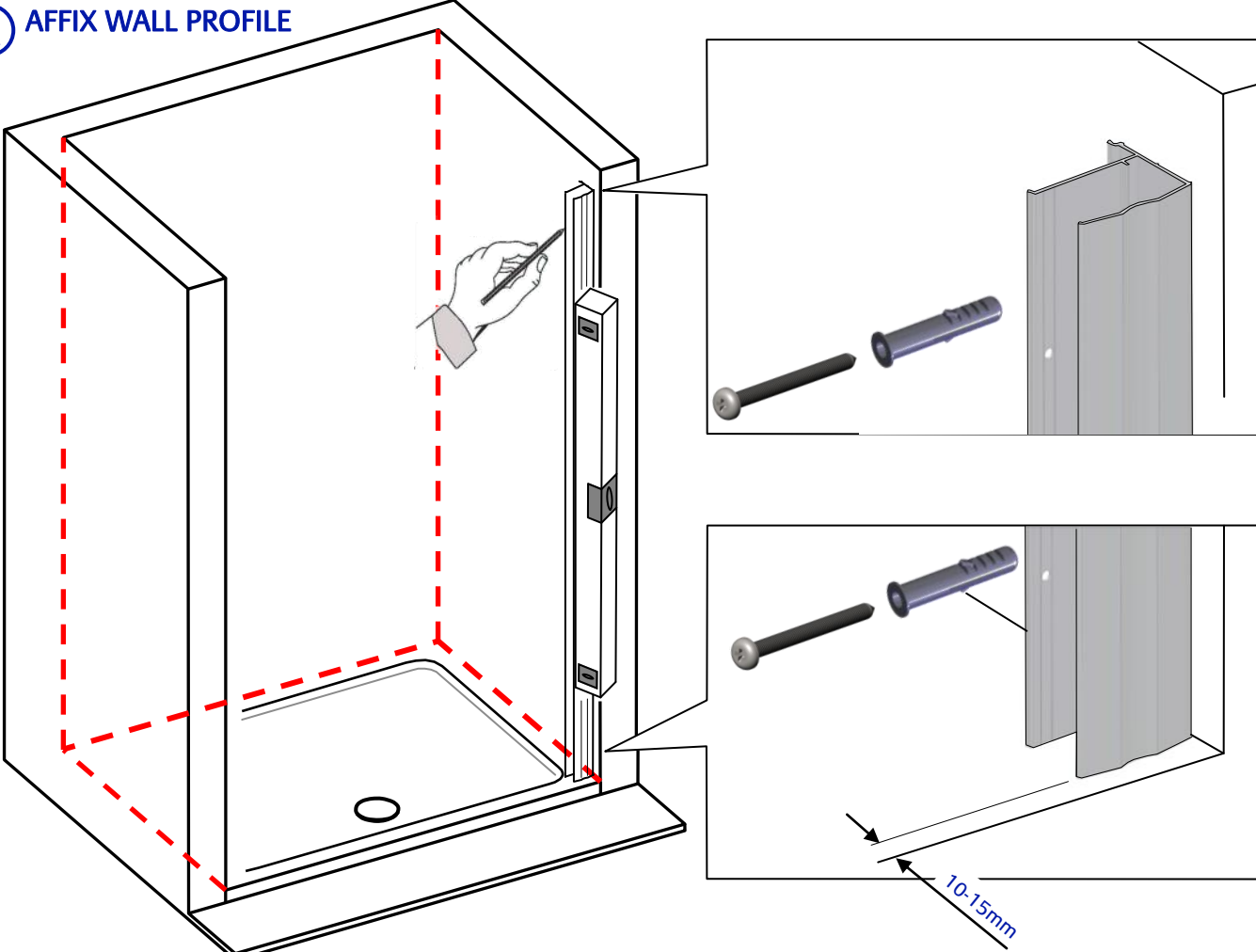


### Tools Required

-  Tape Measure
-  Pencil
-  3mm HSS drill bit
-  Spirit Level (with vertical 'bubble')
-  Pozidriv Screwdriver
-  Power drill & 8mm masonry bit
-  3mm Hexagon (Allen) Key
-  Good quality silicone sealant & applicator

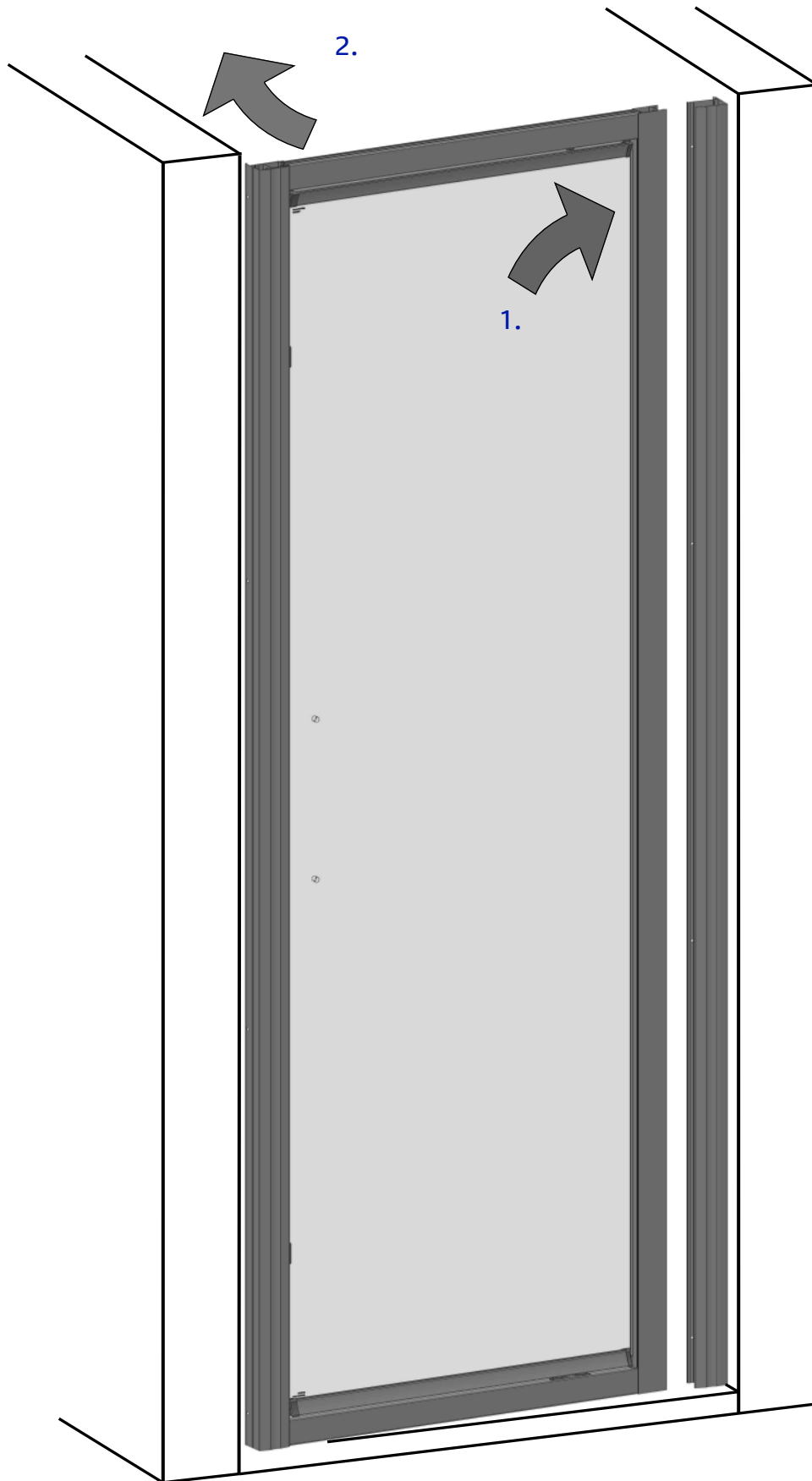
Lakes Coastline Pivot Door is fully reversible, so suitable for fitting with hinge to left or right hand side of enclosure. Ensure tray is correctly levelled & that all tray/wall joints are sealed & cured over entire length of tray sides (See - - - - Fig A) prior to fitting enclosure. **DO NOT SEAL BASE / WALL EDGES UPTO A FITTED ENCLOSURE !**

### A AFFIX WALL PROFILE



Wall profile orientation : Mounting holes to inside (wet area).  
 Measure, plumb & mark wall profile positions, drill, plug & affix 1 wall profile only at this time.

**B** INSERT DOOR



With 2nd wall profile fitted to frame:

1. Carefully lift door onto tray & push into fixed wall profile.
2. At loose side, push back, re-align & affix wall profile to wall using 4 x 45 long screws.



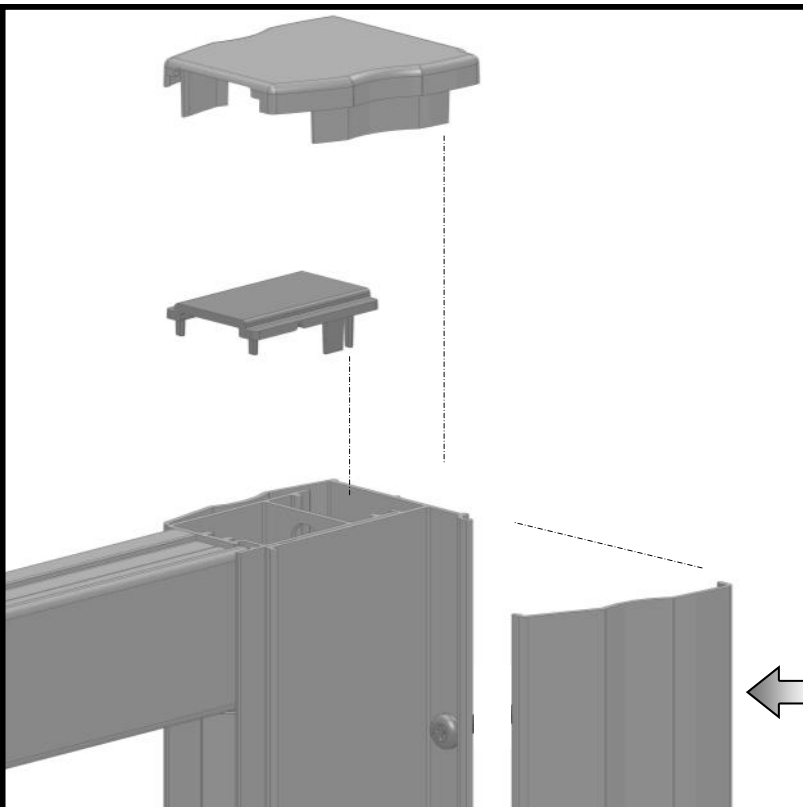
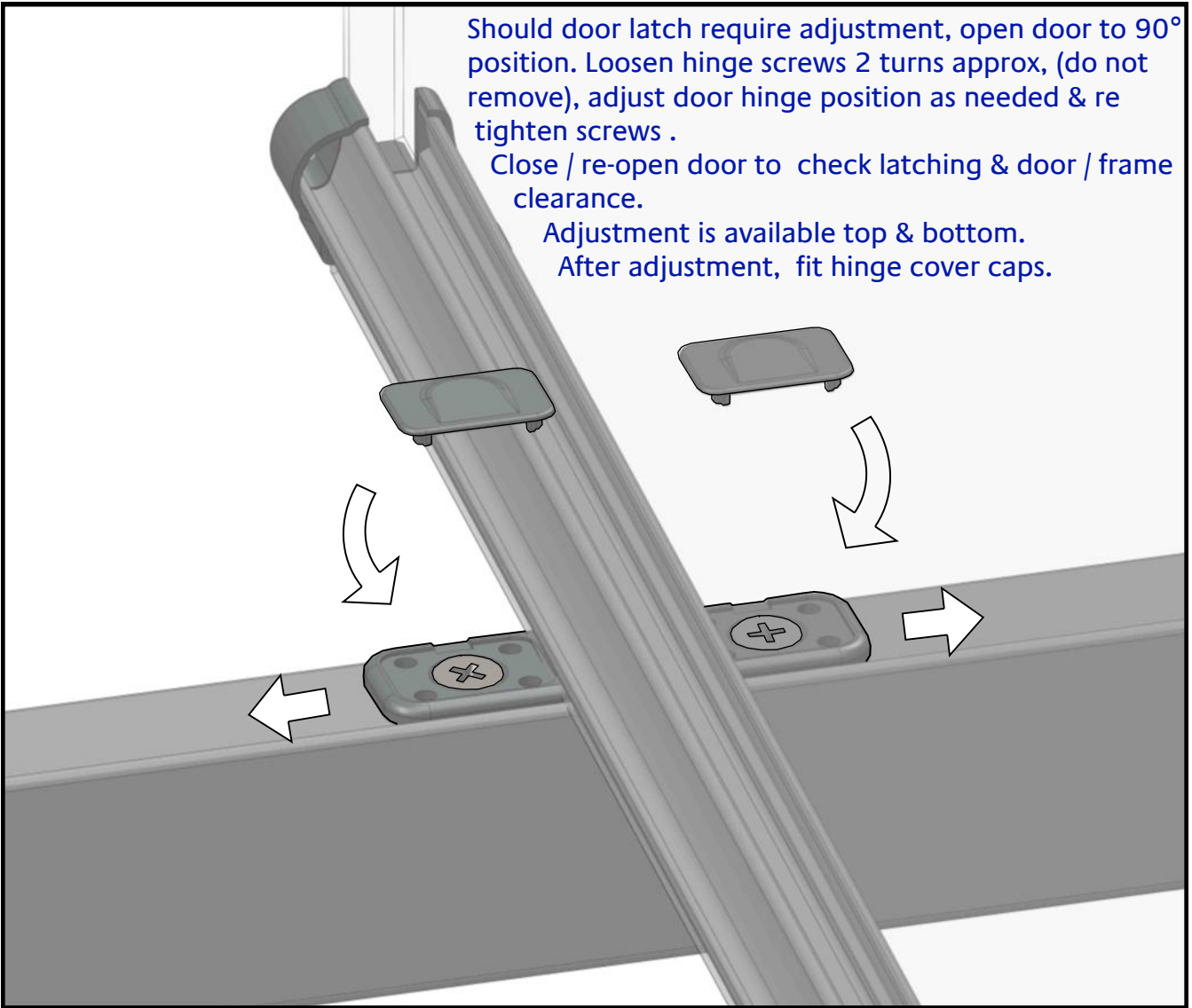
**D** CHECK / ADJUST LATCHING

Should door latch require adjustment, open door to 90° position. Loosen hinge screws 2 turns approx, (do not remove), adjust door hinge position as needed & re tighten screws .

Close / re-open door to check latching & door / frame clearance.

Adjustment is available top & bottom.

After adjustment, fit hinge cover caps.

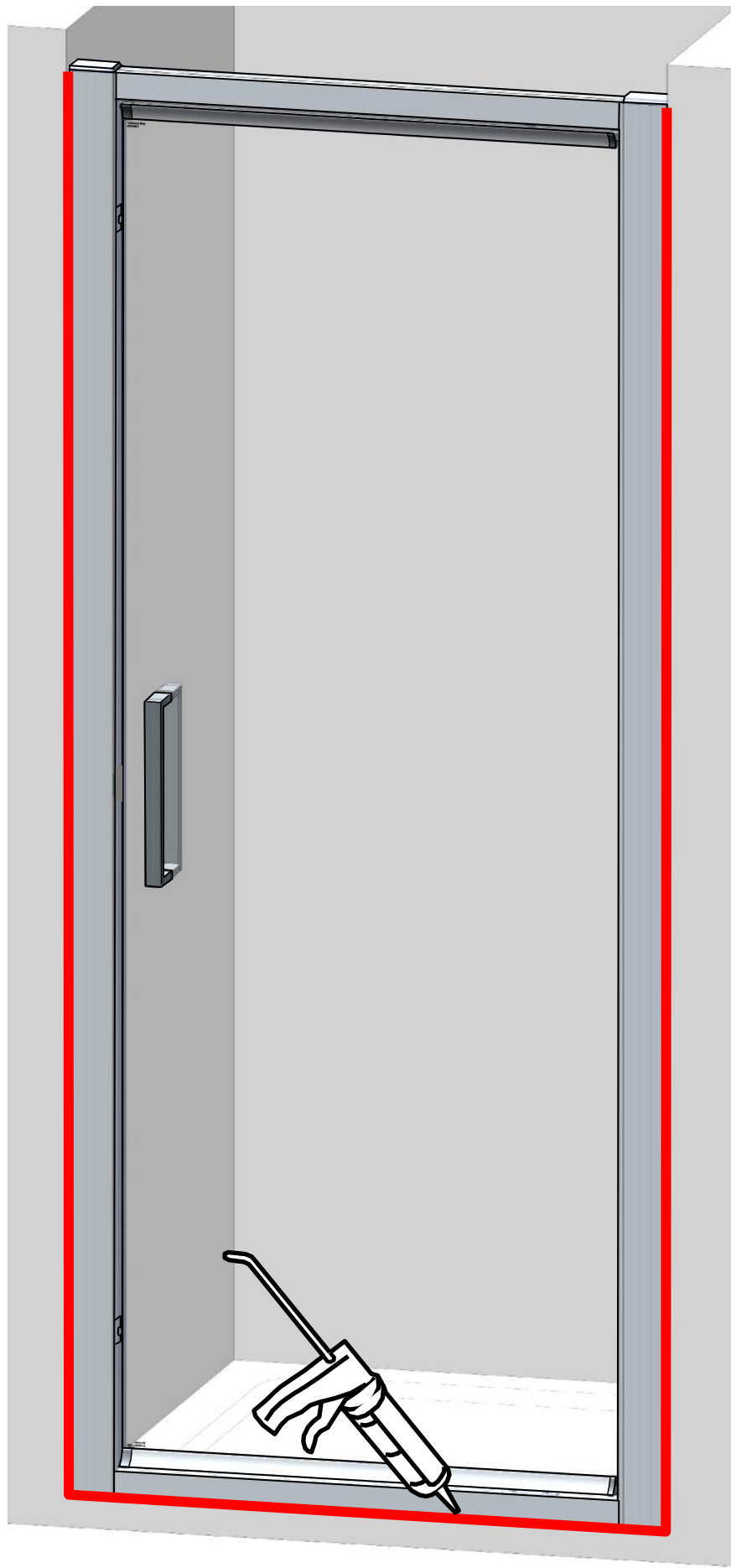


Carefully orientate cover section, & from inside enclosure, working from top to bottom, snap fit cover section onto wall profile

Fit frame & wall profile top cover caps.

← Cover Section wall side

**E** SEALING



Use of good quality silicone sealant & cleaning / degreasing of all joint areas is recommended.  
Apply continuous silicone sealant bead EXTERNALLY ONLY



## BASIC TROUBLESHOOTING :

### Leakage :

The sealing method described in these instructions relies on a continuous seal being applied between shower walls & tray before installing the enclosure (see fig A), it ensures a watertight seal around the perimeter of the enclosure to the shower walls & tray.

In the unlikely event of an enclosure leak, water will be visible on the outside of the enclosure itself, or around the perimeter joints ONLY. Water / moisture appearing outside this area (ie at floor level) is normally due to incorrect tray installation.

Door latch excessively tight, or not holding / door catching frame : adjust door toward or away from latch as necessary (see fig D). Check for smooth latch operation (press / release roller).



### Lakes Bathrooms Ltd

Alexandra Way  
Ashchurch  
Tewkesbury  
Gloucestershire GL20 8NB

Service England, Scotland, Wales

8.30am—5pm Mon ~ Thurs

8.30am—4.30pm Fri

Tel / HELPLINE : 01684 853870

Fax : 01684 857411

[www.lakesbathrooms.co.uk](http://www.lakesbathrooms.co.uk)

Email : [admin@lakesbathrooms.co.uk](mailto:admin@lakesbathrooms.co.uk)

Service : Northern Ireland

Ian A Kernohan

Firtrees

Green Way Industrial Estate

Conlig

Northern Ireland

BT23 7SU

8.30am—5pm Mon ~ Thurs

8.30am—4.30pm Fri

Tel : 02891 270233

Fax : 02891 270597

Email : [info@iakonline.com](mailto:info@iakonline.com)