

# 8mm Hinge Bathscreen.

Installation / Maintenance Instructions

Rev 01.18



## **IMPORTANT NOTES :**

**Please read carefully & retain these instructions for future reference.**

1. For ease & safety we advise that two persons assemble this product.
2. Protect bathtub surfaces at all times.
3. Exposed glass corners / edges MUST NOT contact hard surfaces at any time.
4. Check for cables, pipes etc before drilling walls.
5. Ensure all surfaces are dry, clean & free of loose debris / dust.
6. Unpack goods with care (small parts can become lodged in packaging & inadvertently discarded).  
Check parts supplied against parts & fittings listed herein.  
Damaged parts / omissions may be resolved by calling Lakes Bathrooms Helpline.
7. Whilst precautions are taken in manufacture, care must be taken when handling as rail ends may have sharp edges.
8. Before commencing, check :  
a) bath rim is level & completely sealed to finished / tiled walls, &  
b) finished walls are sound & free of cracks, loose tiles / grout.
9. AFTER INSTALLATION, DO NOT 'WET' ENCLOSURE FOR 48 HOURS TO ENSURE FULL CURE OF SILICONE SEALANT.

## **USE :**

### **General Care & Maintenance.**

Provided this product is installed & operated in accordance with these instructions, problems should not arise. However should maintenance be required it should be carried out by a competent person with reference to these instructions. Before any work is carried out the root cause of the problem must be identified. Lakes Bathrooms service engineers are available if necessary to consult / carry out remedial work. Call Lakes Bathrooms HELPLINE.

**Cleaning.** (Every one to two weeks depending on local water {hardness} conditions).

All glass panels in this product have a hydrophobic coating aiding 'runoff' of water droplets, reducing the need for frequent cleaning. For best appearance / product life however, regular cleaning is recommended.

Use ONLY mild soap / detergent solutions to clean. Rinse with water, squeegee glass panels & wipe frames dry with a soft cloth. Under no circumstances should abrasive, caustic or scouring products be used. Non compliance with these cleaning instructions may cause decorative finishes to deteriorate & could adversely affect safe operation of the enclosure.

### **Daily Care.**

To prevent the build up of limescale, do not allow water droplets to dry on glass or frames. After showering, rinse with water, remove droplets from glass with a squeegee & wipe frame with a soft cloth.

### **Customer Service.**




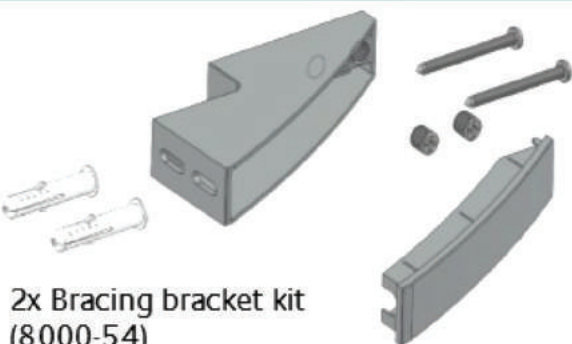
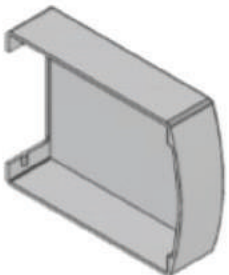











**Quality Guarantee :** Lakes Bathrooms Ltd guarantee Shower Doors & Enclosures against any manufacturing or material defects for the lifetime of the product. We will resolve defects free of charge by repairing / replacing parts as we feel necessary. To be 'free of charge' service work must be carried out by Lakes Bathrooms or approved agents. Seals are considered 'wear & tear' parts, as such, they are guaranteed for 12 months from purchase.

**Not Covered by this Guarantee :** Damage or defects that result from improper installation, improper use, or lack of maintenance (including limescale buildup). Damage or defects that result from repairs / modifications undertaken by unauthorized persons. This guarantee is in addition to statutory & other legal rights.

**What to do if something goes wrong :** Should the product not function correctly on initial use, firstly, contact the installer to check that unit installation & commissioning are in accordance with these instructions. Should this not resolve difficulties or should performance decline, consult 'Troubleshooting' section to see if simple home maintenance is needed. Alternatively our HELPLINE staff can assist, or if necessary arrange for a service engineer to visit.

**Spares :** We maintain extensive spare part stocks. Spares can be ordered / purchased from your retailer in the first instance. Parts will normally be dispatched within two working days from order placement.

Supplied parts: SS130-080 & 090 Bathscreen.

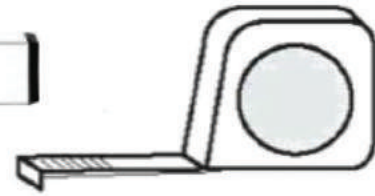
		1x Hinge Panel sub assy
		1x door glass
		
		
		
		
		



## Tools required:



Spirit Level (with vertical 'bubble')



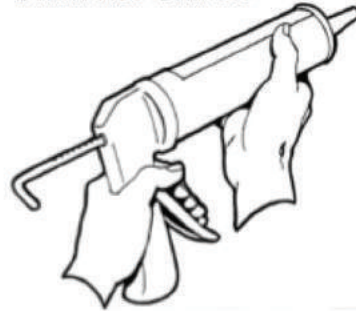
Tape Measure



Power drill & 8mm masonry bit



3mm HSS drill bit



Good quality silicone sealant & applicator



Pencil

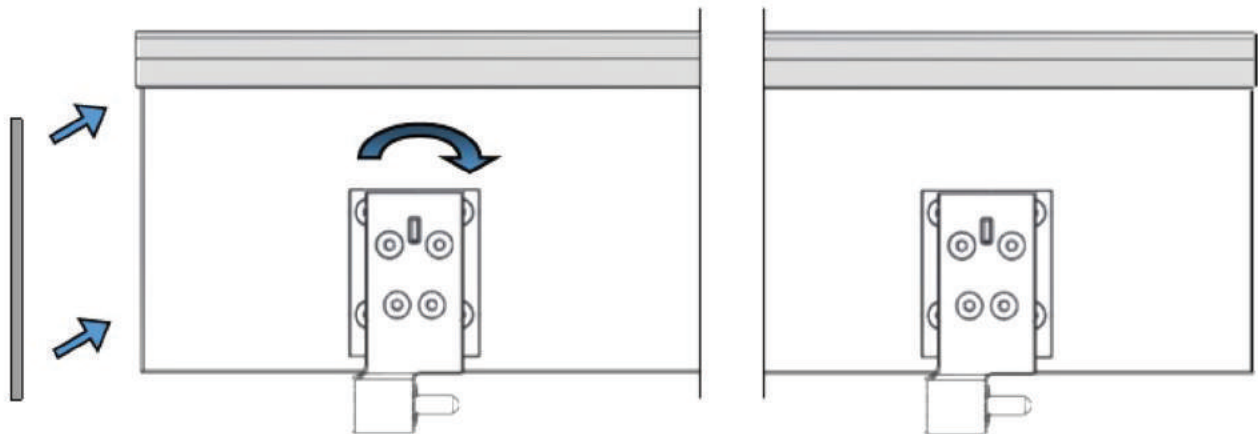


4mm Hexagon (Allen) Key

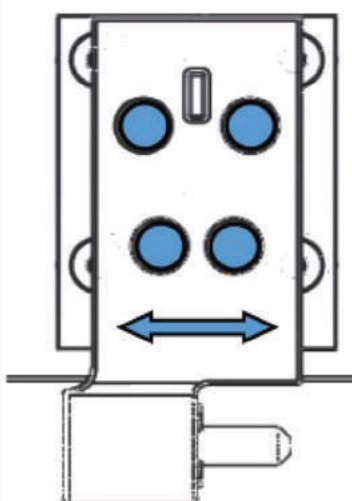


Pozidriv Screwdriver

## Hinge Panel setup:

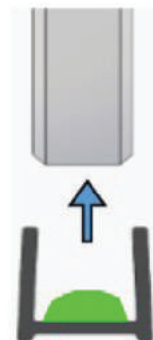


Hinge panel sub assy is supplied with hinge pins facing one another. Before use, offer panel to hinge side wall, reverse the top hinge, & fit bottom channel:

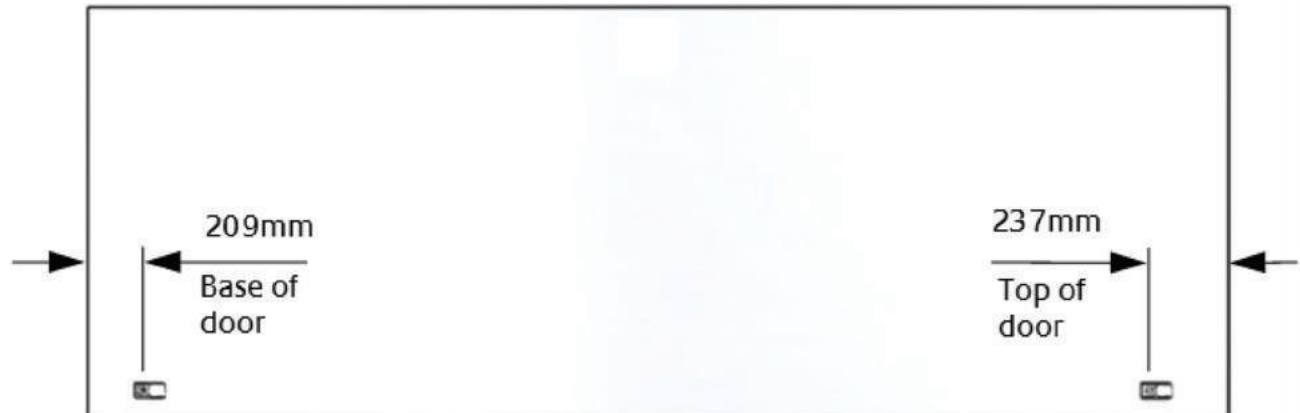


Undo / remove the 4 clamp screws indicated, flip the hinge bracket over, fit & re tighten the clamp screws (on completion, both pins will be upright).

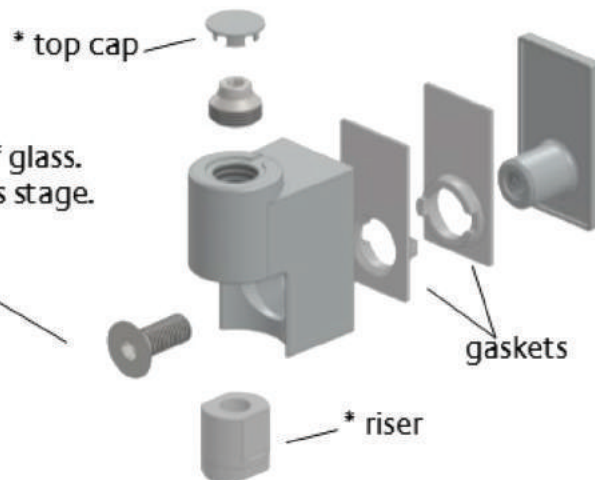
Apply continuous bead of clear silicone to inside of bottom channel, then carefully push bottom trim upto vertical profile & then onto glass bottom edge. A mallet, or hammer & wood block may be used. Take care to avoid bending the trim !



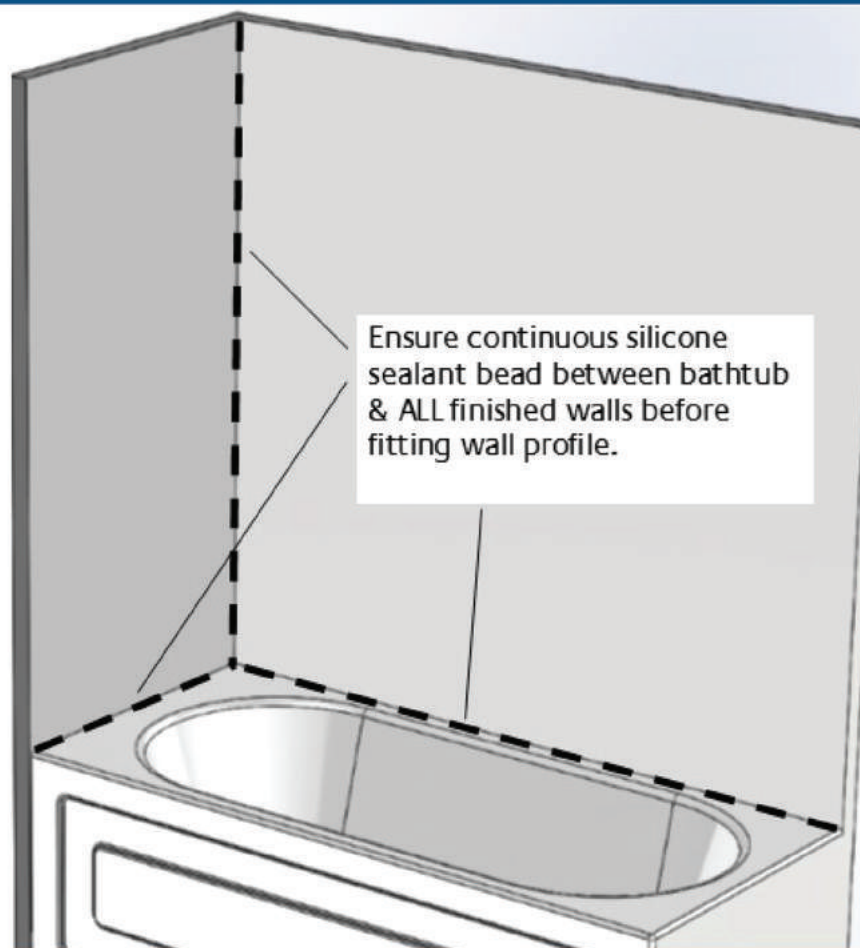
Door setup: (RH door shown—reverse for LH).



Ensure one gasket to each face of glass.  
\* Do NOT fit riser & top cap at this stage.  
Fully tighten clamp screws.

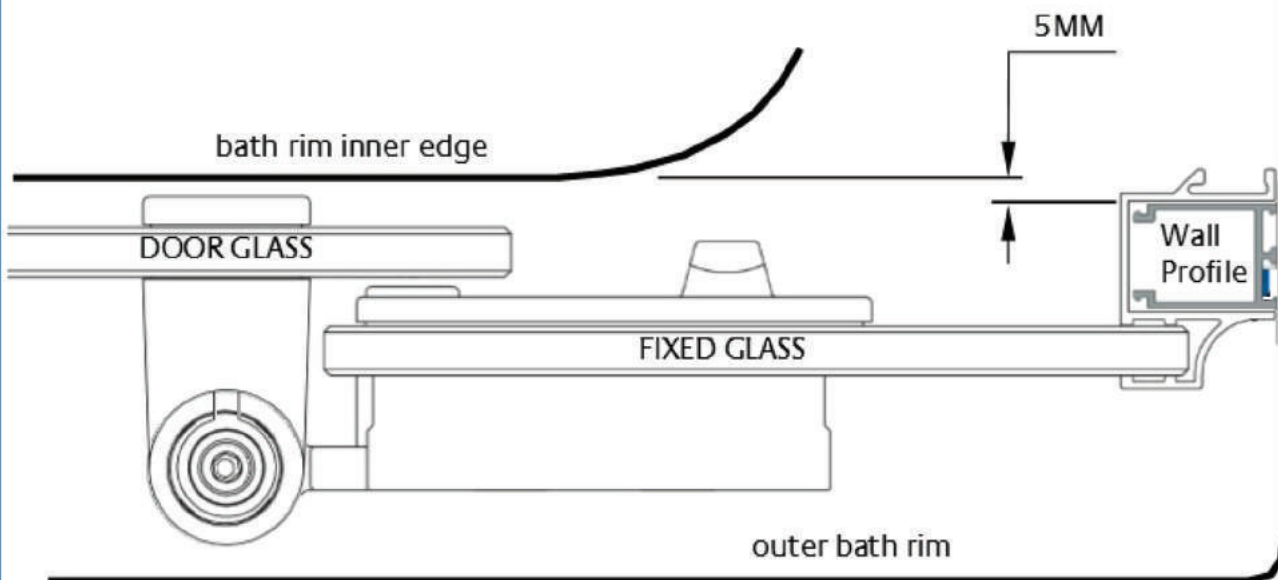


Setting out:

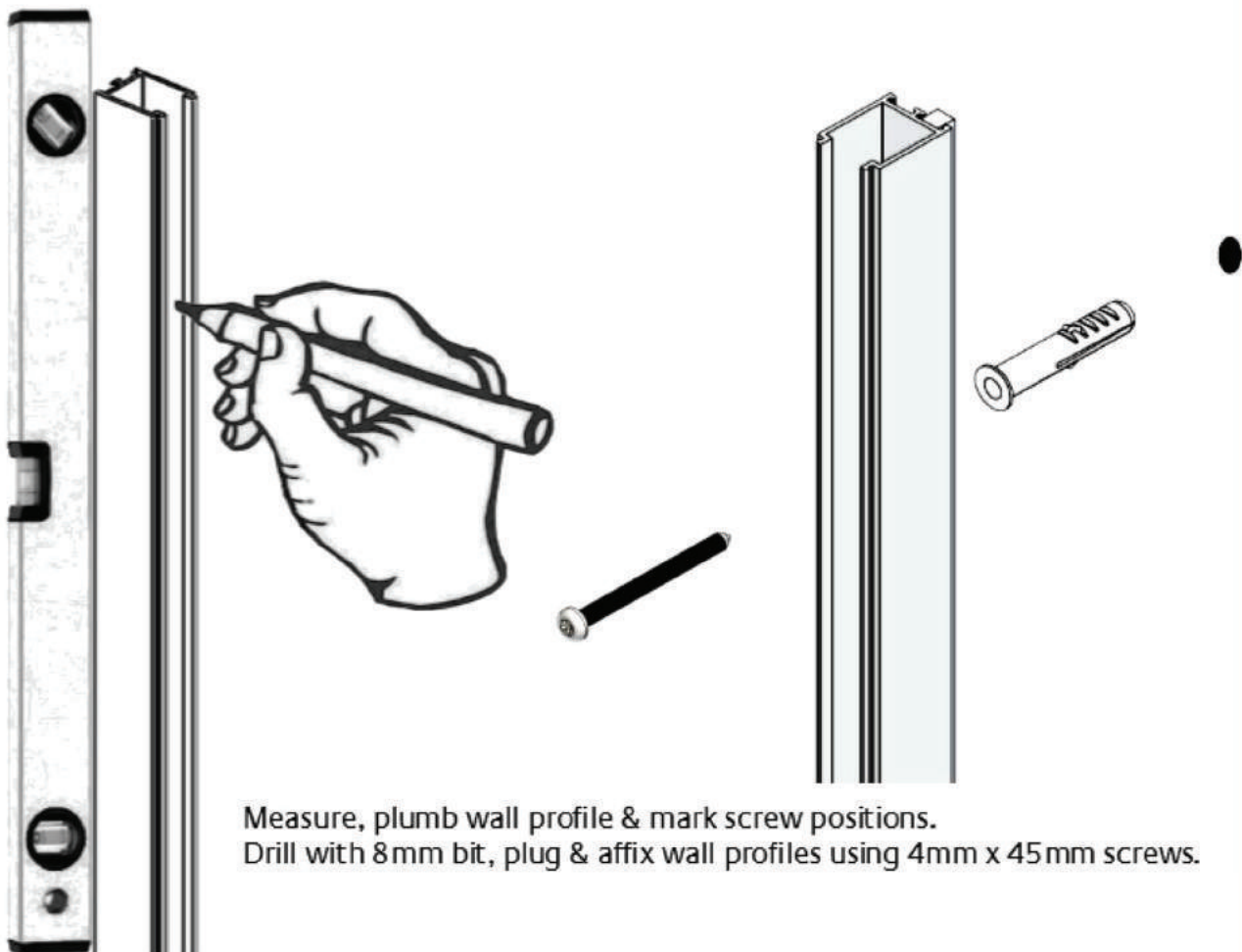


### Wall Profile Positioning:

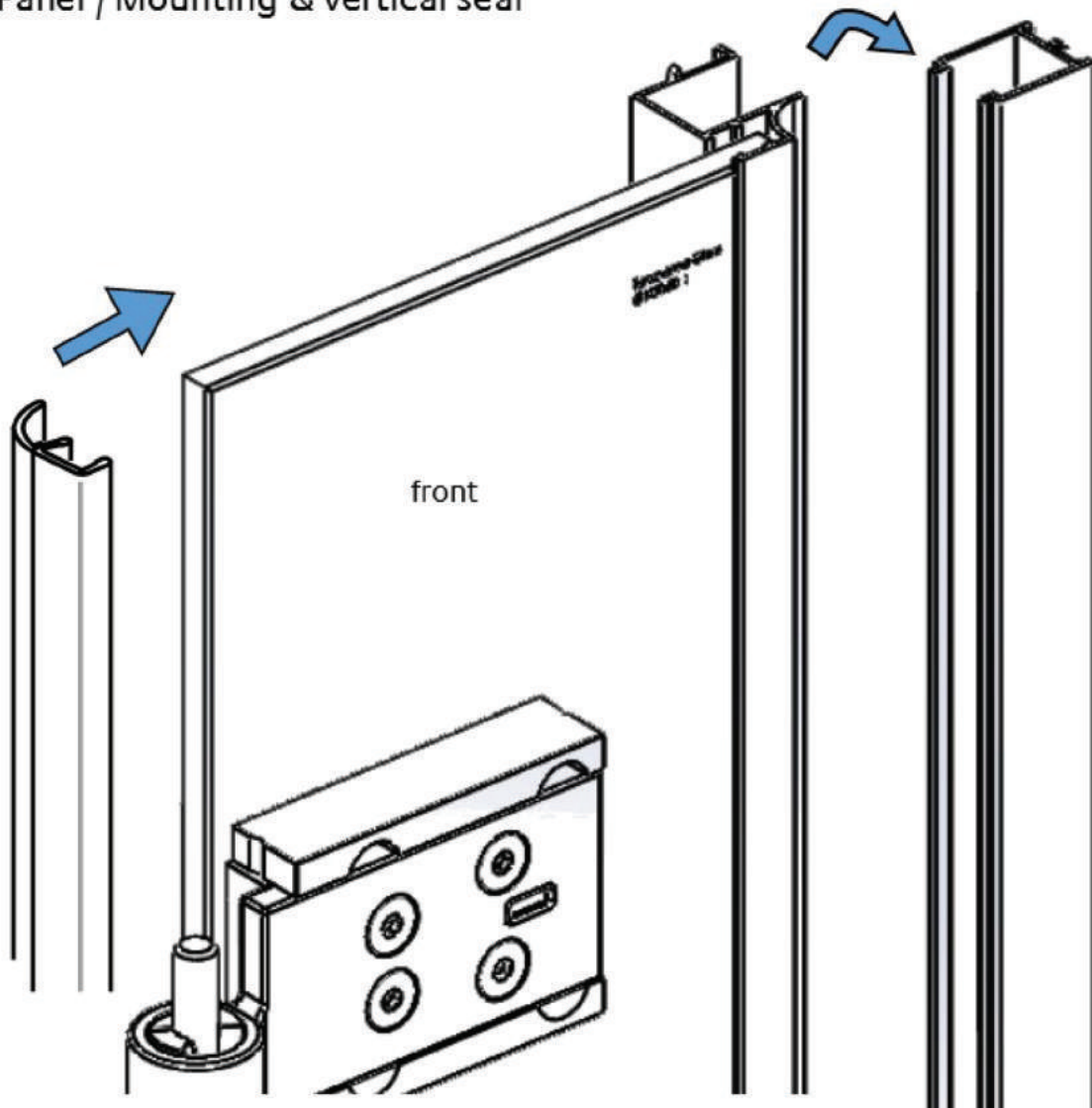
To ensure bathscreen stands in the ideal position on the bath rim, the door glass **MUST** be positioned close to the inner edge of the bath rim. To ensure this, position the wall profile inner face **AS SHOWN**.



### Wall Profile Mounting:



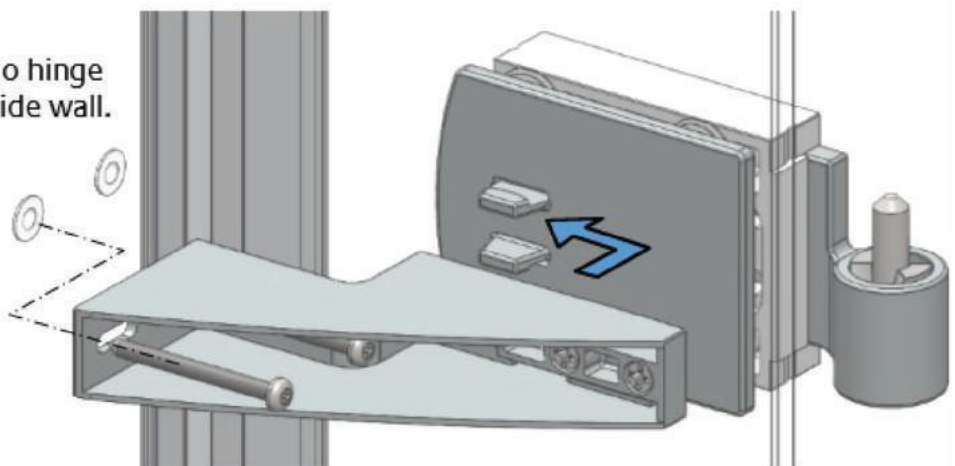
## Fixed Panel / Mounting & vertical seal



Lift fixed panel onto wall profile (hinges to front), push fully back to wall & down onto bath rim. Align edge seal to top of glass & fit seal to edge of hinge panel (lip to inside) - water or soapy water can be used to ease fit.

## Wall Bracket.

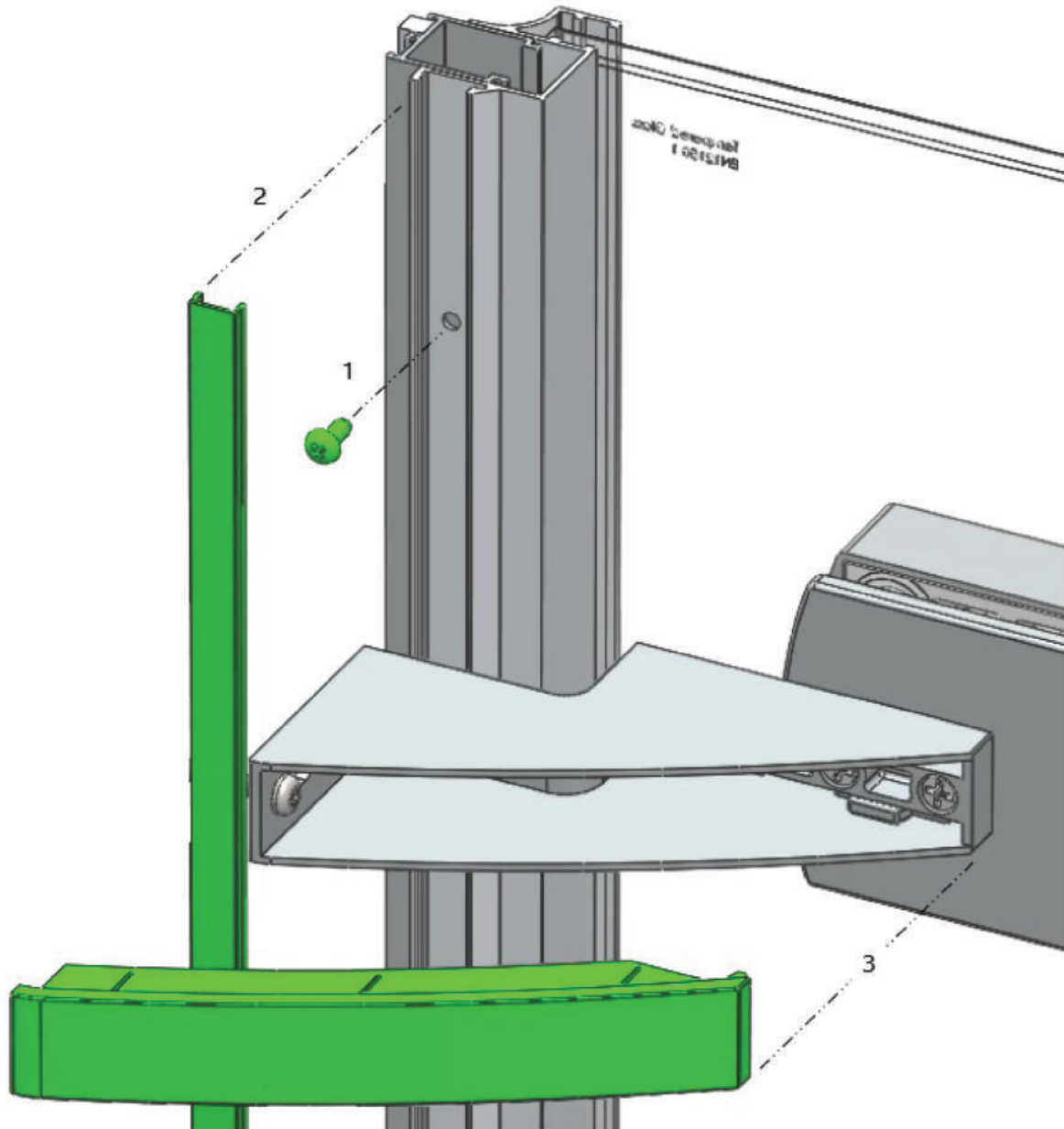
Engage wall bracket onto hinge backplate & push upto side wall. Level & mark wall hole positions (centre of oval holes).



Remove bracket, drill & fit wall plugs. Refit bracket & ensuring that hinge panel is parallel to bath rim front edge, tighten bracket to wall ONLY at this stage.

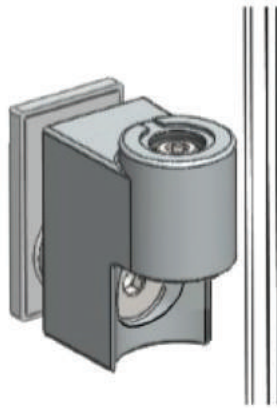


- Check fixed panel is plumb, then from inside enclosure, using profile holes as a guide,
1. drill dia 3mm holes, & affix panel to wall profile with 3.5 x 8 mm screws.
  2. fit screw cover section.
  3. Where wall bracket is fitted, use grubscrews to align fixed panel parallel to bath rim front edge. After adjusting, tighten all grubscrews onto hinge backplates & fit bracket covers.



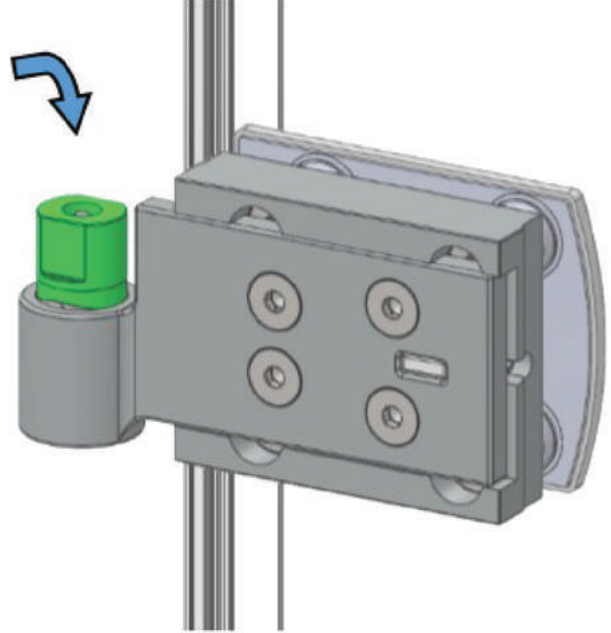


**DOOR FITTING, 2 PERSONS REQUIRED !**

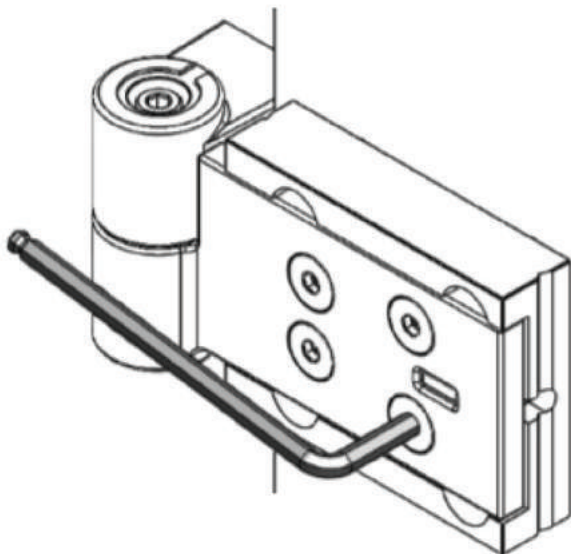


2. With door approx 90° open, carefully lift, align both hinges then lower door onto hinge panel, & push door towards closed position until door drops & risers engage correctly.

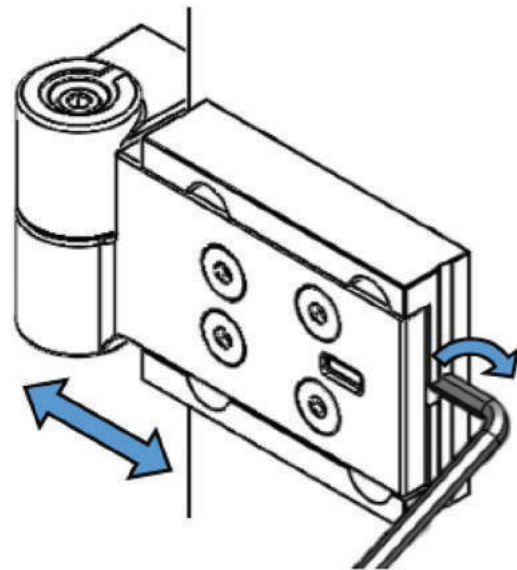
1. Fit (white plastic) upper hinge risers to hinge pins - in 'UP' position.



**ADJUST HINGES :** with door in closed position, adjust hinges until underside of door glass is parallel to top of bath rim.

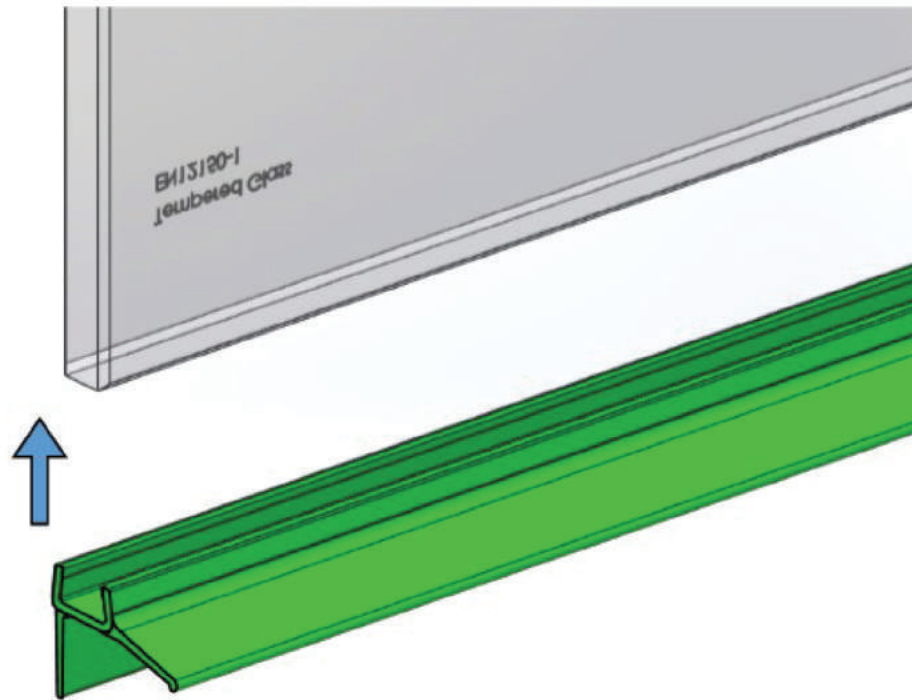


Loosen 4 clamp screws ONE TURN ONLY.  
NEVER REMOVE THESE SCREWS WITH DOOR FITTED !

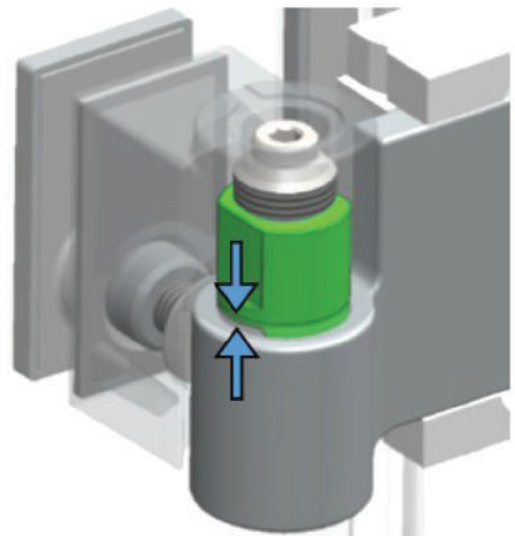
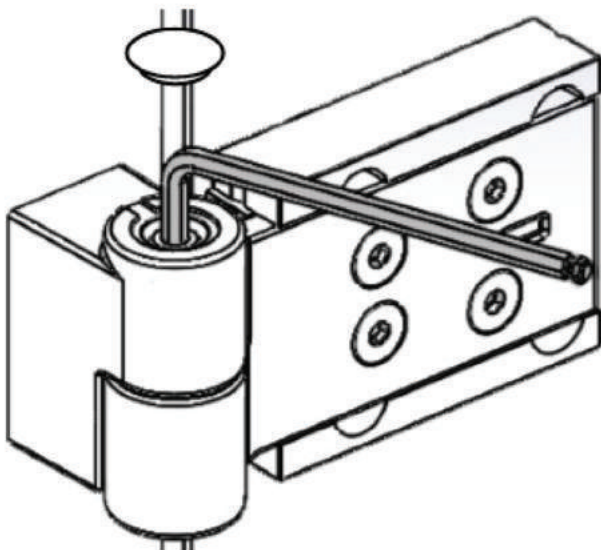


Adjust hinges as necessary,  
then re-tighten clamp screws

Open door to approx 90° & fit bottom seal – water or soapy water can be used to ease fit.

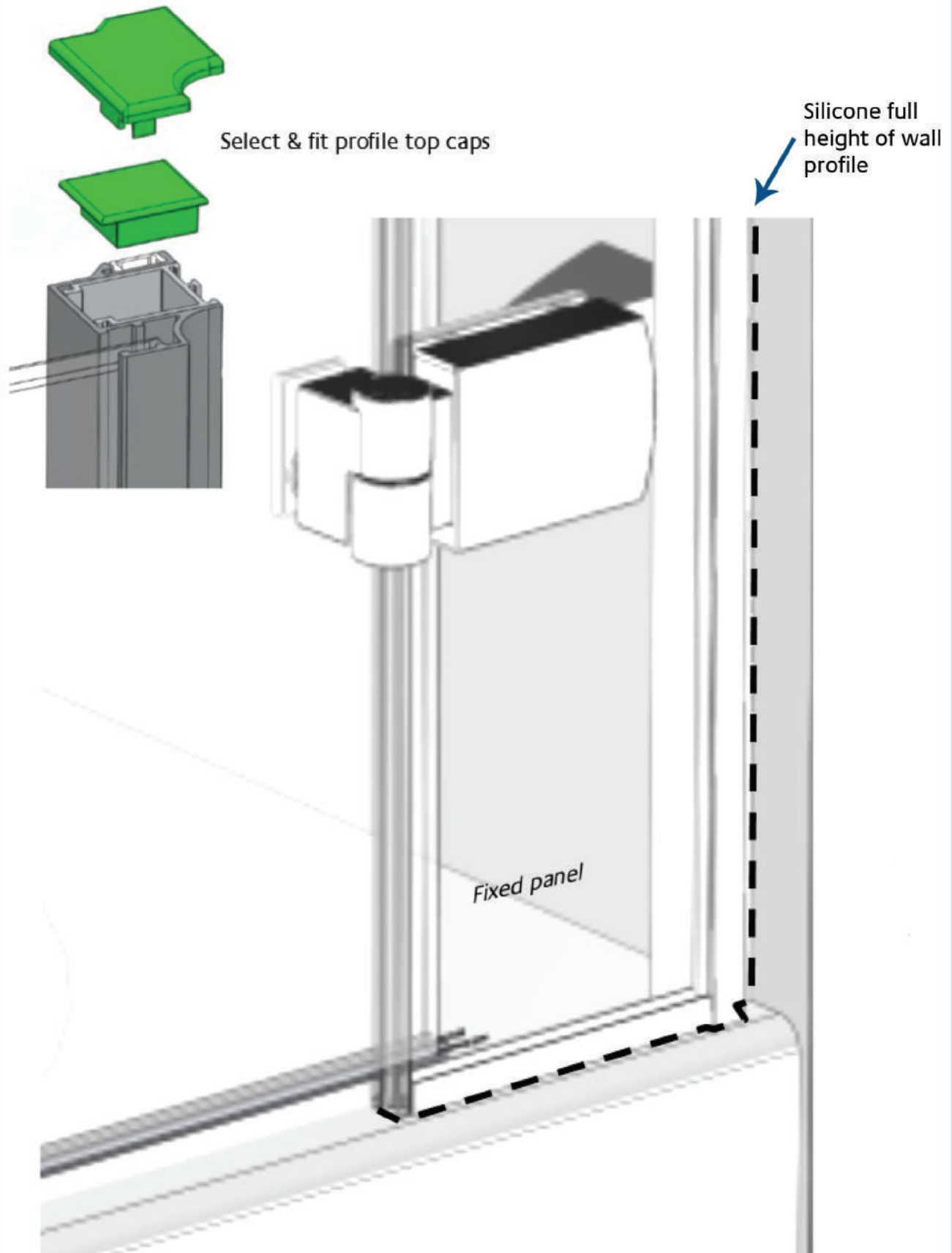


Open / close the door & if necessary re adjust hinges for bottom seal to bath rim 'fit'.  
Visually check both hinges for riser clearance, if one shows clearance, turn its take up screw until white plastic castellated faces are in full contact when the door is closed.  
Additional height adjustment can be achieved by further turns of the take up screw (3-4mm)



After adjusting 'take up' fit top caps to door hinges.

## Profile top caps & silicone sealing.



It is recommended to clean all surfaces before siliconing.  
Ensure fixed panel & bottom trim are parallel & in good contact with bath rim, then with door in closed position, apply a continuous bead of silicone sealant as shown EXTERNALLY ONLY.  
**After siliconing, allow to cure without disturbance for 24 hours !**



## **BASIC TROUBLESHOOTING :**

### **Leakage :**

The sealing method described in these instructions relies on a continuous seal being applied between shower walls & bathtub before installing the bathscreen, it ensures a watertight seal around the perimeter of the enclosure to the shower walls & bath.

In the unlikely event of an enclosure leak, water will be visible on the outside of the enclosure itself, or around the perimeter silicone seal ONLY. Water / moisture appearing outside this area (ie at floor level) is normally due to incorrect sealing (of the bath).

Door bottom seal catching harshly on the bath rim : check & adjust door hinges to raise door outer corner.

### **Lakes Bathrooms Ltd.**

Alexandra Way  
Ashchurch  
Tewkesbury  
Gloucestershire  
GL20 8NB

Service England, Scotland, Wales  
8.30am—5pm Mon ~ Thurs  
8.30am—4.30pm Fri

Tel / HELPLINE : 01684 853870  
Fax : 01684 857411  
[www.lakesbathrooms.co.uk](http://www.lakesbathrooms.co.uk)  
Email : [admin@lakesbathrooms.co.uk](mailto:admin@lakesbathrooms.co.uk)

Service : Northern Ireland

Ian A. Kernohan  
Firtrees  
Green Way Ind. Est.  
Conlig  
Northern Ireland.  
BT23 7SU

8.30am - 5pm Mon - Thurs  
8.30am - 4.30pm Fri  
Tel: 02891 270233