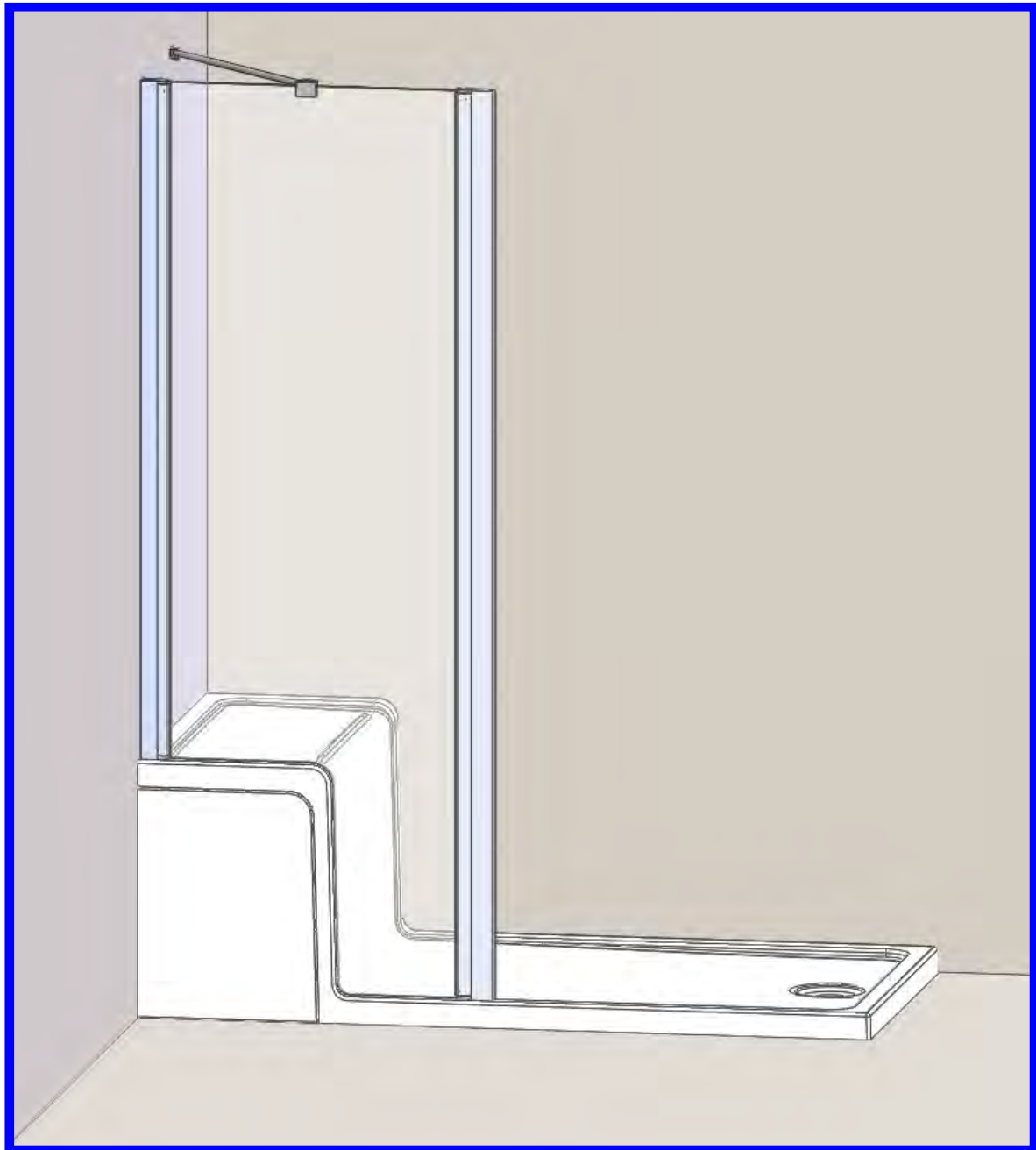


# Inline Panel for Seat Tray

## Installation & Maintenance instructions

Rev . 01.16



Lakes

Bathrooms

## IMPORTANT NOTES :

Please read carefully & retain these instructions for future reference.

1. For ease & safety we advise that two persons assemble this product.
2. Protect shower tray surfaces at all times.
3. Check for cables, pipes etc. before drilling walls.
4. Ensure all surfaces are dry, clean & free of loose debris / dust.
5. Unpack goods with care (small parts can become lodged in packaging & inadvertently discarded). Check parts supplied against parts & fittings listed herein. Damaged parts / omissions may be resolved by calling Lakes Bathrooms Helpline.
6. Whilst precautions are taken in manufacture, care must be taken when handling as rail ends may have sharp edges.
7. Before commencing, check :
  - a) Shower tray is level & completely sealed to finished / tiled walls.
  - b) Finished walls are sound & free of cracks loose tiles / grout.
8. AFTER INSTALLATION, DO NOT 'WET' ENCLOSURE FOR 48 HOURS (ENSURE FULL CURE OF SILICONE SEALANT).

## USE :

### General Care & Maintenance.

Provided this product is installed & operated in accordance with these instructions, problems should not arise. However should maintenance be required it should be carried out by a competent person with reference to these instructions. Before any work is carried out the root cause of the problem must be identified. Lakes Bathrooms service engineers are available if necessary to consult / carry out remedial work. Call Lakes Bathrooms HELPLINE.

### Cleaning.

(Every one to two weeks depending on local water {hardness} conditions).

All glass panels in this product have a hydrophobic coating aiding 'runoff' of water droplets, reducing the need for frequent cleaning. For best appearance / product life however, regular cleaning is recommended.

Use ONLY mild soap / detergent solutions to clean. Rinse with water, squeegee glass panels & wipe frames dry with a soft cloth. Under no circumstances should abrasive, caustic or scouring products be used. Cleaning products should have pH value 4 ~ 8. DO NOT use 'spray & leave' type cleaning products. Non compliance with these cleaning instructions may cause plated / painted finishes to deteriorate & could adversely affect safe operation of the enclosure.

Limescale ~ should a build up of limescale occur, remove using a 50:50 solution of white vinegar & water applied with a soft cloth & rinsed / dried thoroughly afterwards.

### Daily Care.

To prevent the build up of limescale, do not allow water droplets to dry on glass or frames. After showering, rinse with water, remove droplets from glass with a squeegee & wipe frame with a soft cloth.

### Customer Service.

Quality Guarantee : Lakes Bathrooms Ltd guarantee Shower Doors & Enclosures against any manufacturing or material defects for the lifetime of the product. We will resolve defects free of charge by repairing / replacing parts as we feel necessary. To be 'free of charge' service work must be carried out by Lakes Bathrooms or approved agents.

Not Covered by this Guarantee : Damage or defects that result from improper installation, improper use, or lack of maintenance (including limescale buildup). Damage or defects that result from repairs / modifications undertaken by unauthorized persons. This guarantee is in addition to statutory & other legal rights.

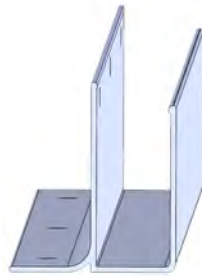
What to do if something goes wrong : Should the product not function correctly on initial use, firstly, contact the installer to check that unit installation & commissioning are in accordance with these instructions. Should this not resolve difficulties or should performance decline, consult 'Troubleshooting' section to see if simple home maintenance is needed. Alternatively our HELPLINE staff can assist, or if necessary arrange for a service engineer to visit.

Spares : We maintain extensive spare part stocks. Spares can be ordered / purchased from your retailer in the first instance. Parts will normally be dispatched within two working days from order placement.

Pro-Forma invoices will be sent for cheque payments.

These instructions are for installation of the inline panel for the seat shower tray. Instructions for the bi-fold door, pivot door and side panel if one is to be fitted are supplied with those products.

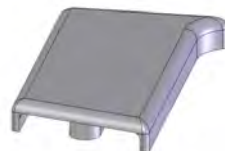
**SUPPLIED PARTS:**



Flanged Wall Profile  
(LKIST-C001)



“H” Joining Profile  
(LIP-C004)



Flanged Wall Profile  
Top Cap.  
Handed Pair  
(LKVB-C024)



“H” Profile Top Cap  
(LIP-C024)



Bracing Arm Kit  
(LKIST- 010)



Silicone Shaping Tool

\* Part Nos. in brackets

**FIXINGS:**



M4 x 45mm Pan Head  
Pozidriv Screw  
(3x)



M3.5 x 10mm  
Pan Head  
Pozidriv Screw  
(9x)



Cup Washer  
(9x)



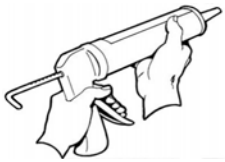
Decorative Screw  
Cover Cap  
(9x)



7.5mm x 39mm Wall  
Plug  
(3x)

\* Quantity in brackets

## Tools Required



Good quality silicone sealant & applicator



Tape Measure



Pencil



Power drill & 8mm masonry bit



2.5mm Allen key



Pozidriv Screwdriver



3mm HSS drill bit



Spirit Level (with vertical 'bubble')

## Measure & mark wall profile position.

Position wall profile a minimum of 10mm from the edge of the tray. (See Fig. A)

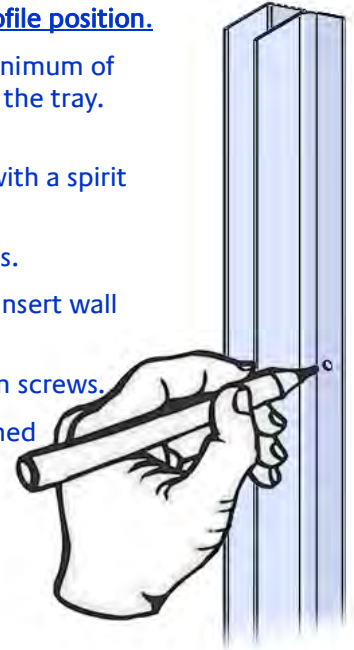
Ensure profile is plumb with a spirit level.

Mark fixing hole positions.

Drill with 8mm bit then insert wall plugs.

Secure using M4 x 45mm screws.

(Back face may be siliconed before mounting.)

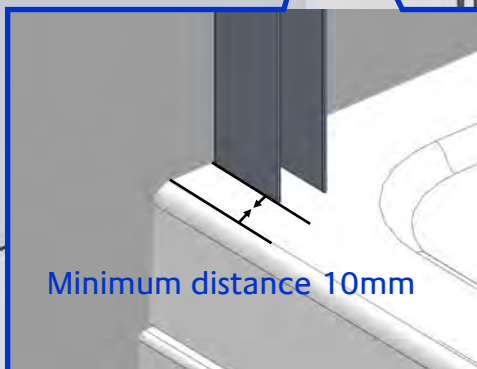


A

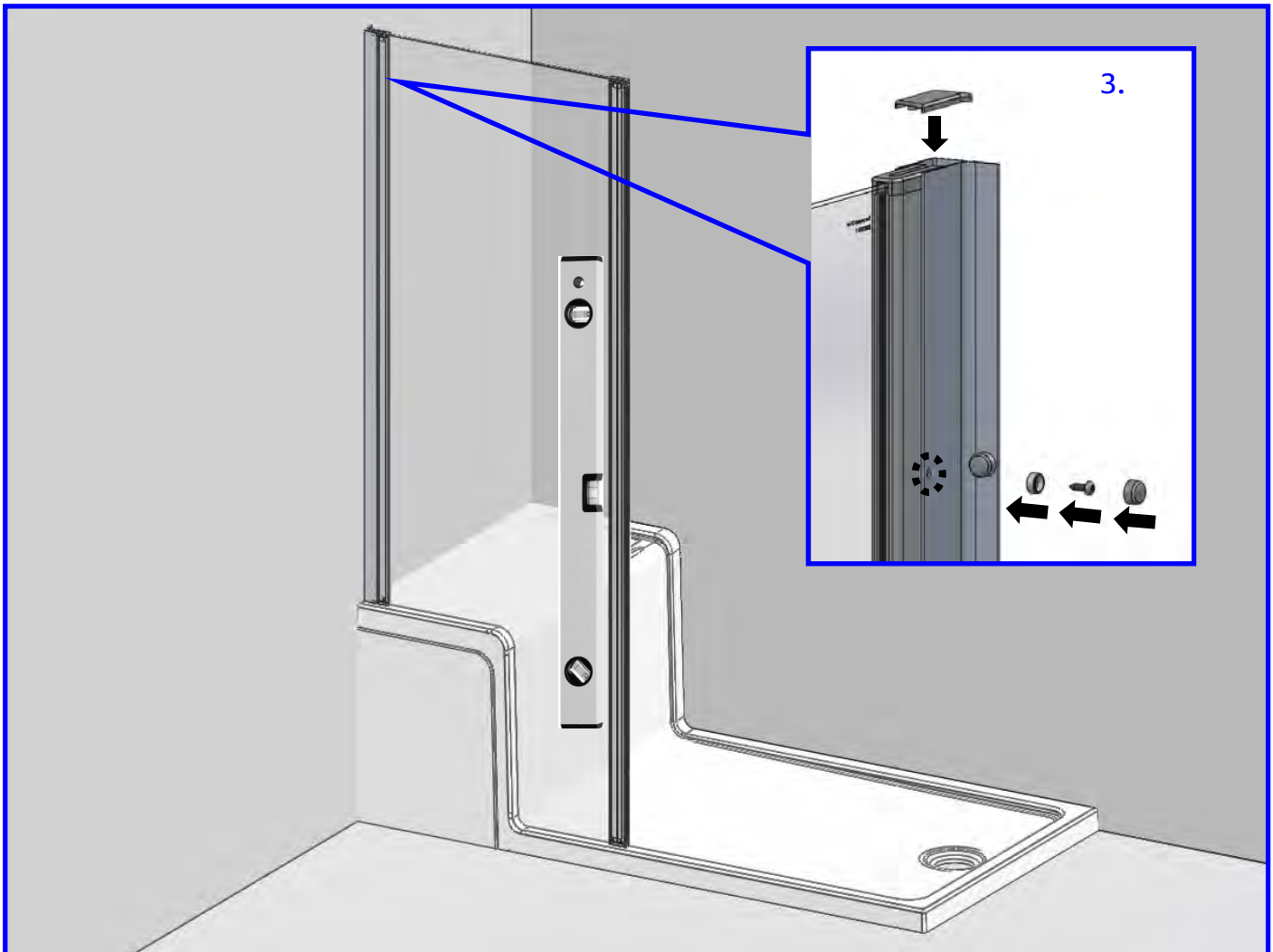
Inline panel is fully reversible, so is suitable for fitting to left or right hand wall.

Ensure shower tray is level and that tray to wall joints are sealed & cured over entire length of shower tray sides (see Fig A) prior to fitting screen.

**DO NOT SEAL TRAY EDGES UP TO A FITTED SCREEN!**

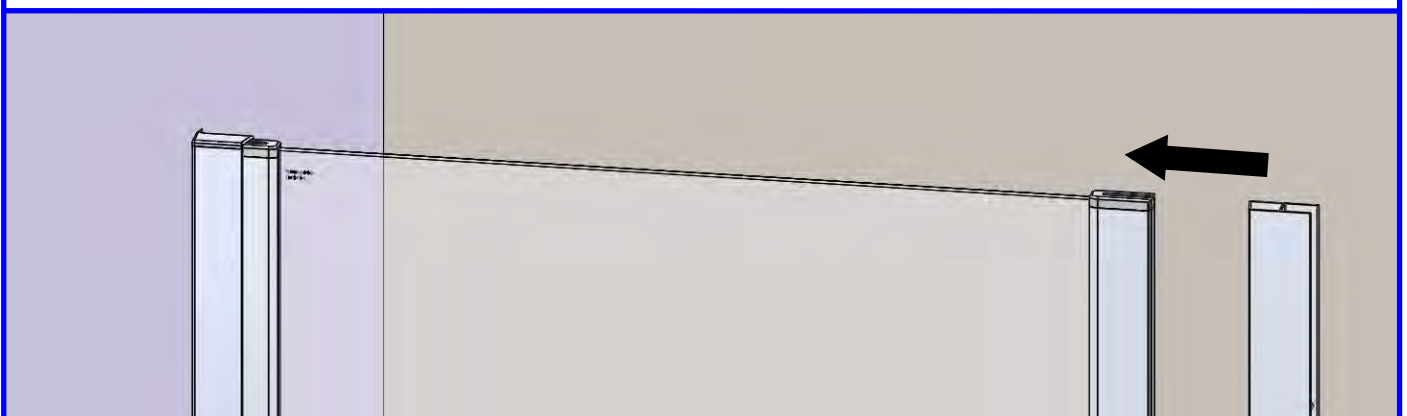


Minimum distance 10mm



1. Carefully lift screen into position and push into wall profile. Ensure the panel follows the profile of the tray as closely as possible.
2. Check the panel is plumb with a spirit level & make sure the gap between the edge of the tray and the panel is constant.
3. From inside the screen using wall rail holes as guides, drill with the 3mm bit. Fit washer & screw screen to wall rail using 3.5mm x 10mm screw. Push on screw cover cap then select correct hand of wall profile top cap & fit as shown.

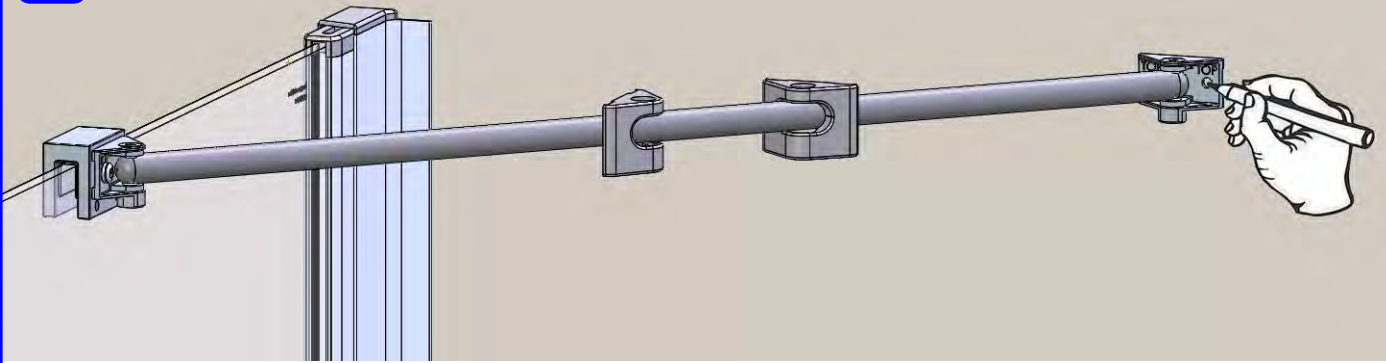
Do not silicone along the bottom of the panel at this point as a continuous bead of silicone must be applied once the enclosure is completed.



Push "H" Profile onto end of panel but do not drill or screw yet as the adjustment of this profile is dependant on the door which is to be fitted inline with the panel.

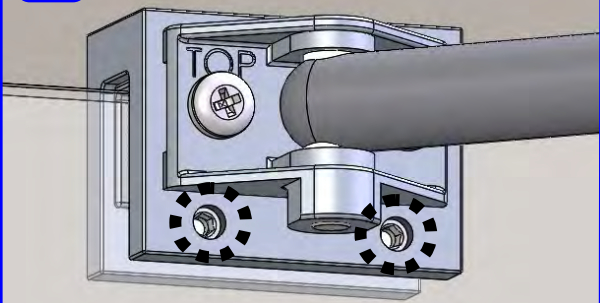
Retain the "H" Profile top cap as this will be fitted after the enclosure is complete.

1

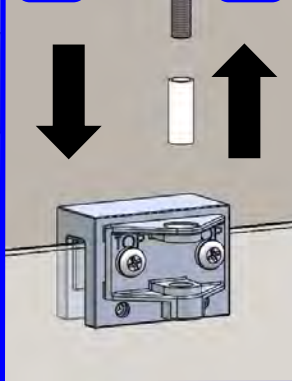


1. Making sure the gasket insert is in place to prevent damage to the glass, put the bracing arm glass bracket onto the top of the panel, set the desired angle (45° is optimal) and mark the hole positions on the wall. Remove the bracing arm assembly, drill the wall with the 8mm bit and insert wall plugs.

2

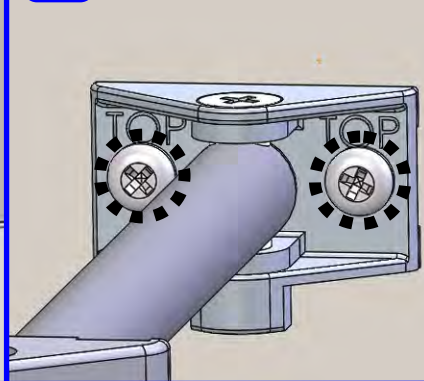


3



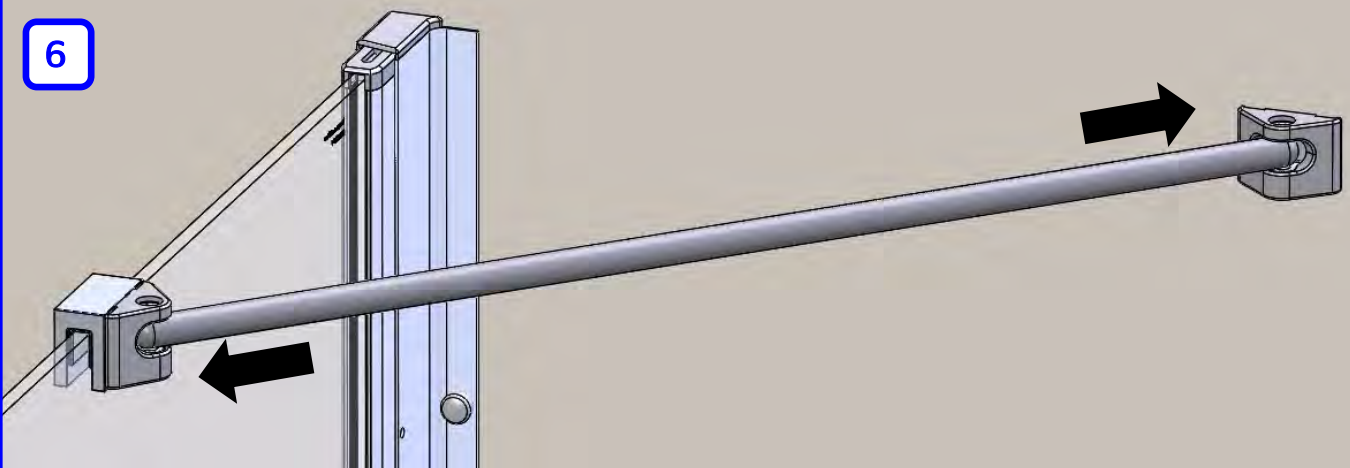
5

4

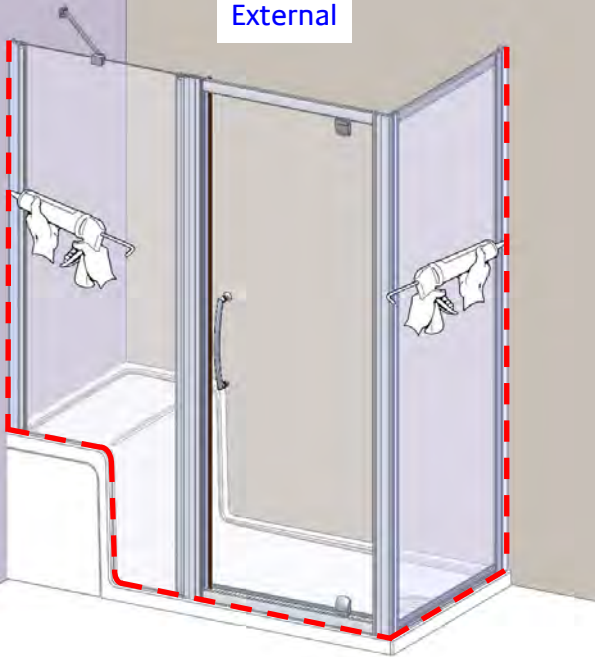


2. Tighten the socket screws in the glass bracket using a 2.5mm allen key.
3. Remove the screw and plastic sleeve from the glass bracket end of the bracing assembly & remove the bracing arm from the glass bracket.
4. Screw the wall bracket of the bracing arm assembly to the wall with the screws provided using the holes previously drilled & plugged.
5. Reverse step 2, replacing the bracing arm into the glass bracket & inserting the plastic sleeve then secure using the screw.
6. Slide the bracket covers onto the brackets and firmly push into place.

6



External



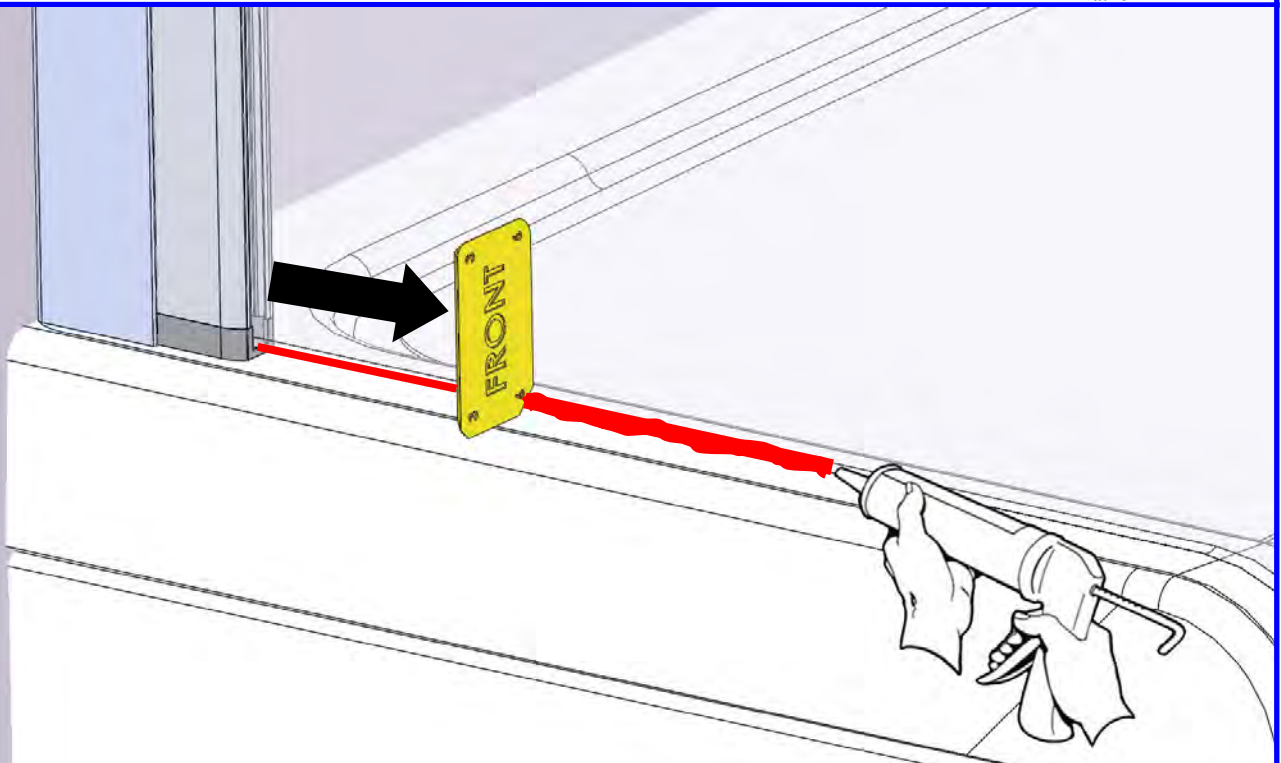
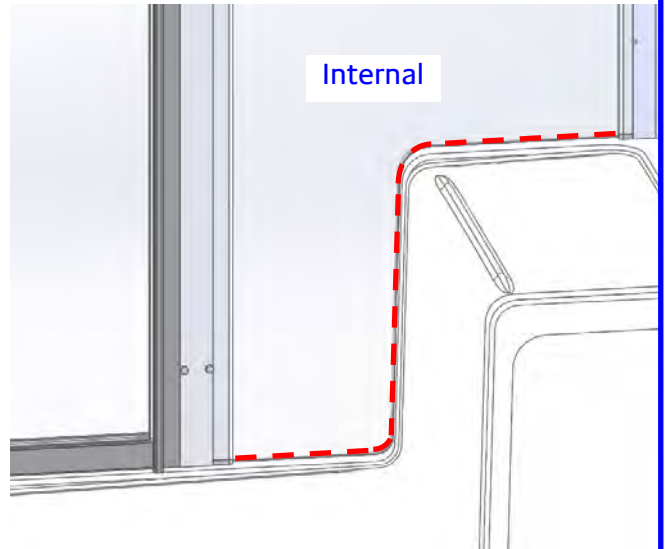
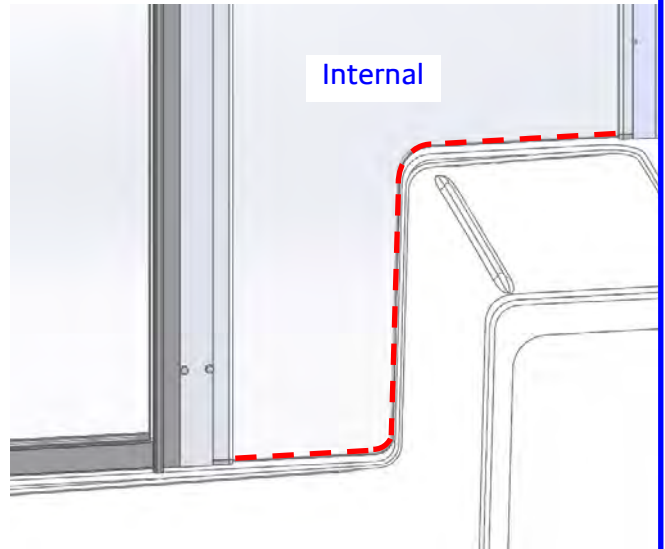
After installation of the inline panel, fit the pivot or bi-fold door and side panel using the instructions supplied with those products.

The completed enclosure can now be sealed with silicone. Run a bead of silicone both inside & outside of the inline panel.

**SEAL THE DOOR, SIDE PANEL & PROFILES EXTERNALLY ONLY.**

Use of good quality silicone sealant & cleaning / degreasing of all joint areas is recommended. Apply continuous silicone sealant beads as indicated. For glass to tray joint lines, the use of silicone to both sides of glass, & using silicone shaping tool is recommended to achieve sealing & best appearance.

Internal



This unit is supplied with a shaping tool, permitting the 'dressing' of untidy sealant to a consistent shape. Initial sealant application need not be that precise / neat.

Keeping the tool at 90° to joint surfaces ("FRONT" forward), press the shaper into corner & drag along joint for a short distance—clean the tool & repeat. Voids/ holes may be refilled & reshaped as necessary until continuous joint is completed. Always work AWAY from corners. The size/shape used is at installers discretion, but it is suggested to use the smaller corners unless large joint gaps are present.

## BASIC TROUBLESHOOTING :

### Leakage :

The sealing method described in these instructions relies on a continuous seal being applied between shower walls & tray before installing the enclosure (see fig A), it ensures a watertight seal around the perimeter of the enclosure to the shower walls & tray. In the unlikely event of an enclosure leak, water will be visible on the outside of the enclosure itself, or around the perimeter silicone seal ONLY. Water / moisture appearing outside this area (i.e. at floor level) is normally due to incorrect tray Installation.

### **Lakes Bathrooms Ltd.**

Alexandra Way

Ashchurch

Tewkesbury

Gloucestershire GL20 8NB

Service England, Scotland, Wales

8.30am—5pm Mon ~ Thurs

8.30am—4.30pm Fri

Tel / HELPLINE : 01684 853870

Fax : 01684 857411

[www.lakesbathrooms.co.uk](http://www.lakesbathrooms.co.uk)

Email : [admin@lakesbathrooms.co.uk](mailto:admin@lakesbathrooms.co.uk)

Service : Northern Ireland

Ian A Kernohan

Firtrees

Green Way Industrial Estate

Conlig

Northern Ireland

BT23 7SU

8.30am—5pm Mon ~ Thurs

8.30am—4.30pm Fri

Tel : 02891 270233

Fax : 02891 270597

Email : [info@iakonline.com](mailto:info@iakonline.com)

**Lakes**  
Bathrooms