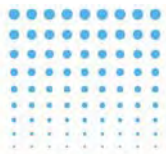
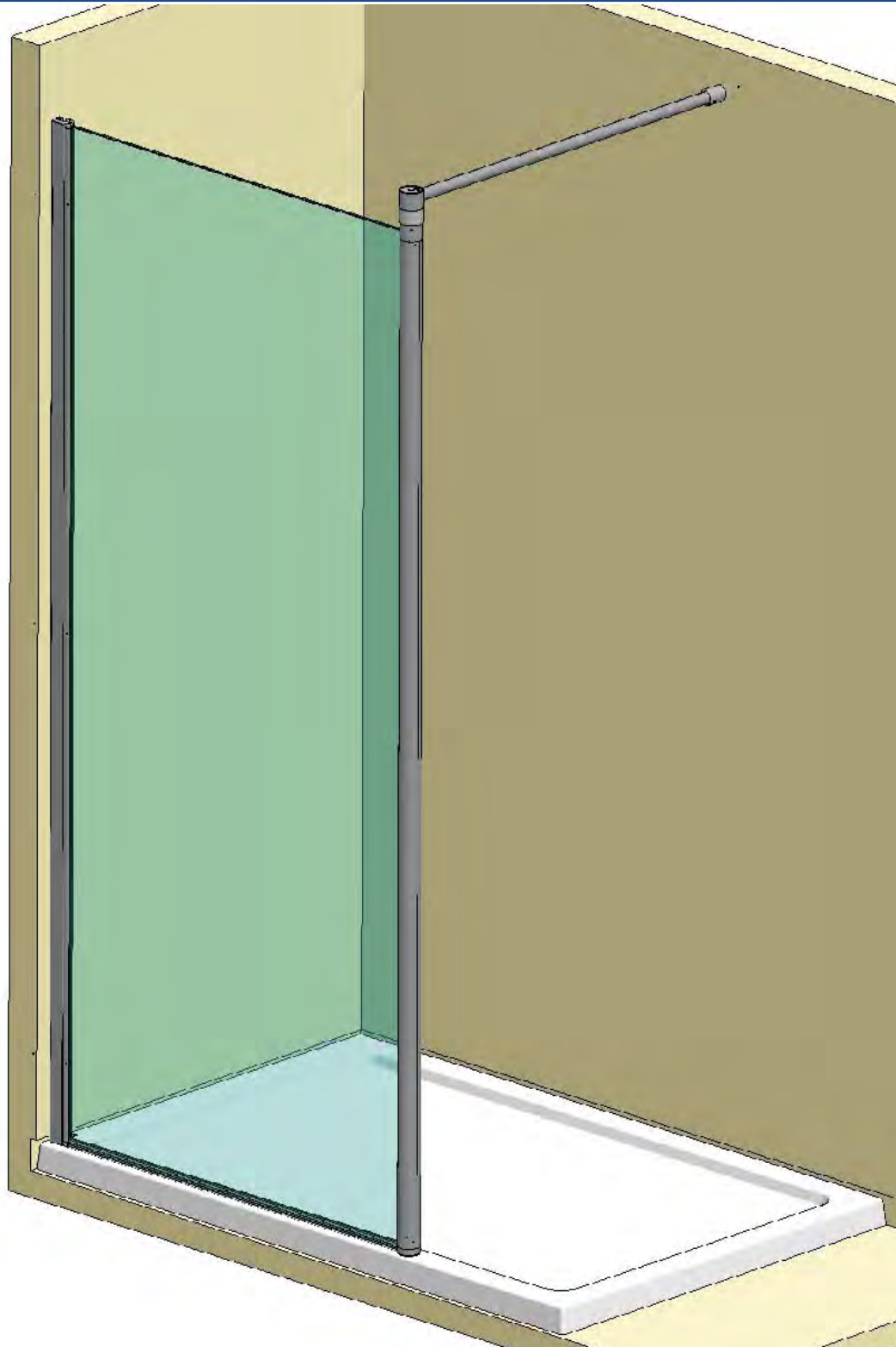


SHOWER SCREEN (8mm)

Installation / Maintenance Instructions



IMPORTANT NOTES :

Please Read Carefully & Retain these instructions for Future Reference.

1. For ease & safety we advise that two persons assemble this product.
2. Protect shower tray surfaces at all times.
3. Check for cables, pipes etc before drilling walls.
4. Ensure all surfaces are dry, clean & free of loose debris / dust.
5. Unpack goods with care (small parts can become lodged in packaging & inadvertently discarded). Check parts supplied against parts & fittings listed herein.
Damaged parts / Omissions may be resolved by calling Lakes Bathrooms Helpline.
6. Whilst precautions are taken in manufacture, care must be taken when handling as rail ends may have sharp edges.
7. Before commencing, check :
 - a) shower tray is level & completely sealed to finished / tiled walls.
 - b) finished walls are sound & free of cracks loose tiles / grout.
8. AFTER INSTALLATION, DO NOT 'WET' ENCLOSURE FOR 48 HOURS TO ENSURE FULL CURE OF SILICONE SEALANT.

USE :

General Care & Maintenance.

Providing this product is installed & operated in accordance with these instructions, problems should not arise. However should maintenance be required it should be carried out by a competent person with reference to these instructions. Before any work is carried out the root cause of the problem must be identified. Lakes Bathrooms service engineers are available if necessary to consult / carry out remedial work. Call Lakes Bathrooms HELPLINE.

Cleaning.

(Every one to two weeks depending on local water {hardness} conditions).

All glass panels in this product have a hydrophobic coating aiding 'runoff' of water droplets, reducing the need for frequent cleaning. For best appearance / product life however, regular cleaning is recommended.

Use ONLY mild soap / detergent solutions to clean. Rinse with water, squeegee glass panels & wipe frames dry with a soft cloth. Under no circumstances should abrasive, caustic or scouring products be used. Cleaning products should have pH value 4 ~ 8.
DO NOT use 'spray & leave' type cleaning products.

Non compliance with these cleaning instructions may cause plated / painted finishes to deteriorate & could adversely affect safe operation of the enclosure.

Limescale ~ should a build up of limescale occur, remove using a 50:50 solution of white vinegar & water applied with a soft cloth & rinsed / dried thoroughly afterwards.

Daily Care.

To prevent the build up of limescale, do not allow water droplets to dry on glass or frames. After showering, rinse with water, remove droplets from glass with a squeegee & wipe frame with a soft cloth.

Customer Service.

Quality Guarantee : Lakes Bathrooms Ltd guarantee Shower Doors & Enclosures against any manufacturing or material defects for the lifetime of the product. We will resolve defects free of charge by repairing / replacing parts as we feel necessary. To be 'free of charge' service work must be carried out by Lakes Bathrooms or approved agents.

Not Covered by this Guarantee : Damage or defects that result from improper installation, improper use, or lack of maintenance (including limescale buildup). Damage or defects that result from repairs / modifications undertaken by unauthorized persons. This guarantee is in addition to statutory & other legal rights.

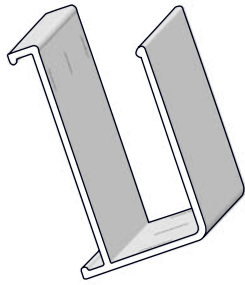
What to do if something goes wrong : Should the product not function correctly on initial use, firstly, contact the installer to check that unit installation & commissioning are in accordance with these instructions. Should this not resolve difficulties or should performance decline, consult 'Troubleshooting' section to see if simple home maintenance is needed. Alternatively our HELPLINE staff can assist, or if necessary arrange for a service engineer to visit.

Spares : We maintain extensive spare part stocks. Spares can be ordered / purchased from your retailer in the first instance. Parts will normally be dispatched within two working days from order placement. Pro Forma invoices will be sent for cheque payments.

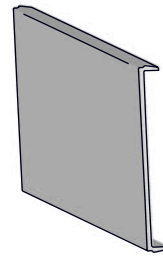
SUPPLIED PARTS :



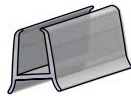
**Panel Sub
Assy (1x) fig B**



**Wall Profile
(1900mm 1x)
fig A**



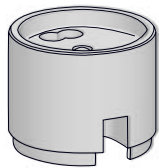
**Cover Section
(Wall Profile)
(1900mm 1x)
fig G**



**Bottom Seal
(Main Panel)
(1x) fig B**



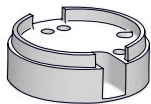
**Bracing Arm
dia 22 x 940 long
(1x) fig E**



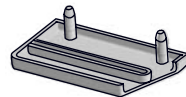
**Post Top
Bracket (1x)
fig B**



**Wall Bracket Kit
comprising :
Threaded Wall Plate fig E
Sleeve fig F
5mm Grubscrew (2x) fig F**



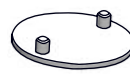
**Post Base
Bracket (1x)
fig B**



**Top Cap (Wall Rail)
(handed pair) fig G**



**Finial (1x)
complete with
5mm Grubscrew (2x)
fig F**



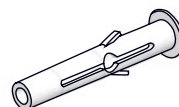
**Base Pad
(1x Flat & 1x Angled) fig B**



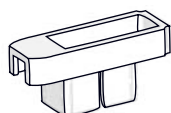
**5mm x 60 long Countersunk
Self Tapping Screw (4x) fig A (fig E)**



**Finial Ring
(1x) fig F**



**8 x 50mm Wall Plug
(4x) fig A (fig E)**



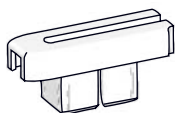
**Bottom Plug
(Main Panel 1x) fig B**



**M6 x 35 long Countersunk Screw (1x)
fig F**



**4 x 25 long Countersunk Self
Tapping Screw (4x) fig B (fig D)**

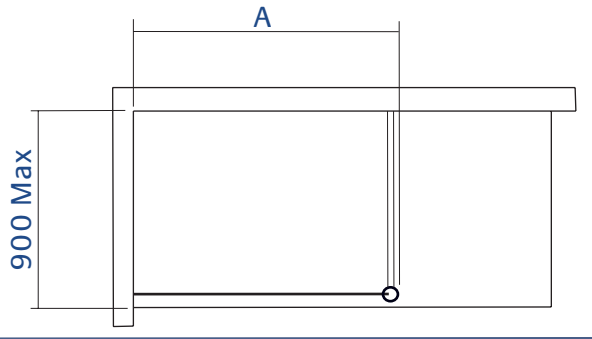


**Top Plug
(Main Panel 1x) fig B**

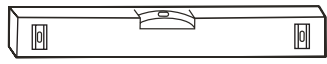


**3.5 x 10 long Self Tapping
Pan Head Screw (3x) fig C**

Standard Sizes	Adjustment
800mm	775 to 800
900mm	875 to 900
1000mm	975 to 1000
1200mm	1175 to 1200



Tools Required



Spirit Level (with vertical 'bubble')



Tape Measure



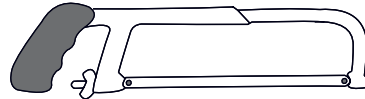
Pencil

Dia 3mm HSS Drill Bit



Screwdriver (Pozi Drive)

Dia 8mm Tile / Masonry Drill Bit



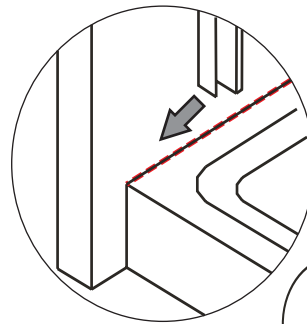
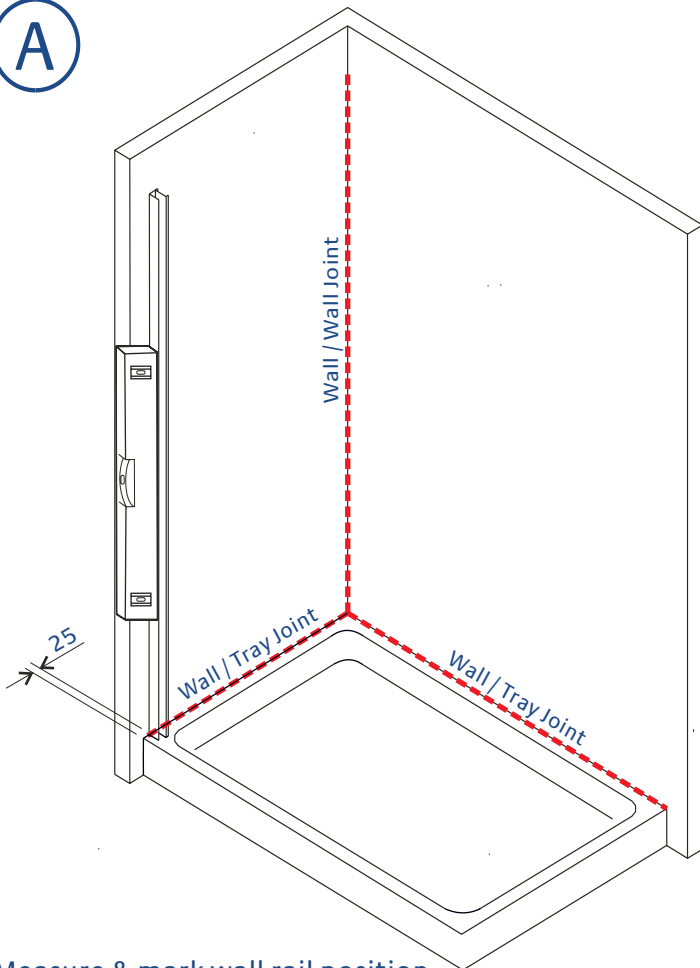
Hacksaw



2.5mm Hexagon Wrench (Allen Key)

Lakes Shower Screen is fully reversible, so is suitable for fitting Left or Right handed (LH construction is detailed ~ Reverse for RH construction). Ensure Tray is correctly levelled & that tray / wall (tile) joints are sealed & cured over entire length of tray sides (See Fig A) prior to fitting enclosure. **DO NOT SEAL TRAY EDGES UPTO A FITTED ENCLOSURE !**

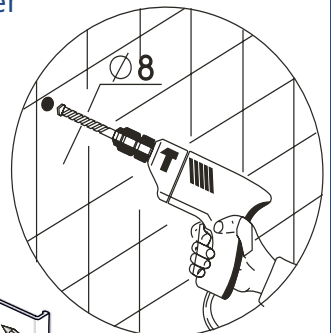
A



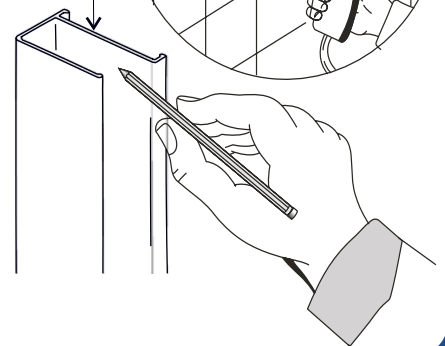
Ensure continuous silicone sealant bead before fitting wall rail



Screw cover channel (inside enclosure)



Measure & mark wall rail position.
Wall rail orientation (screw cover channel to inside of enclosure)
Mark fixing hole positions, drill, plug & affix wall rail.

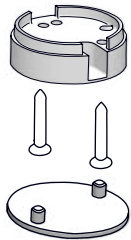


B Main Panel Construction :



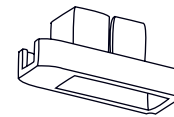
Post Top :
Affix to post with (2x) 4x25 C/Sunk screws.

Post Base :
Apply clear silicone to glass slot & post face. Affix to post with (2x) 4x25 C/Sunk screws. Wipe off excess sealant. Fit base pad (optional see note) to bottom of post base.



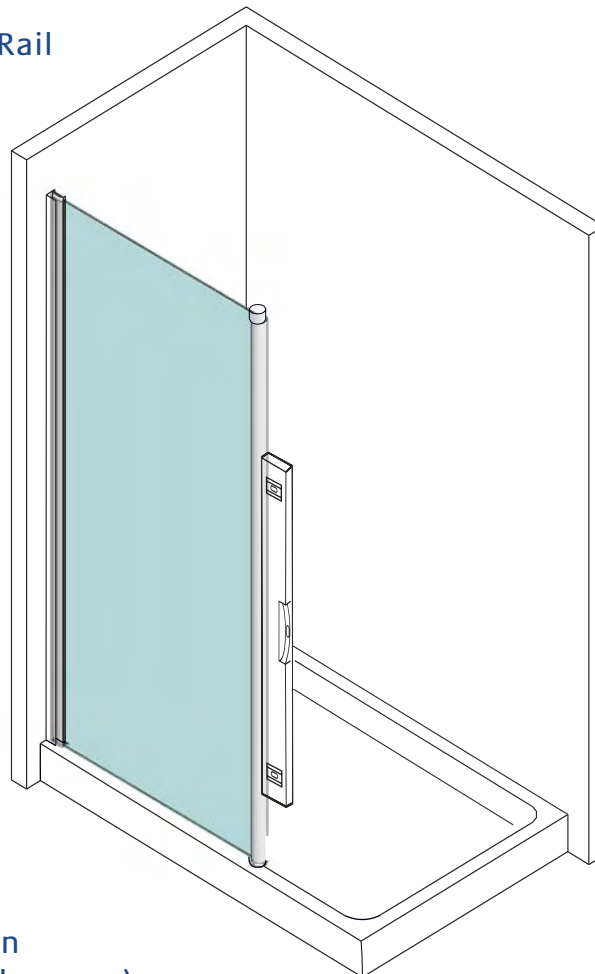
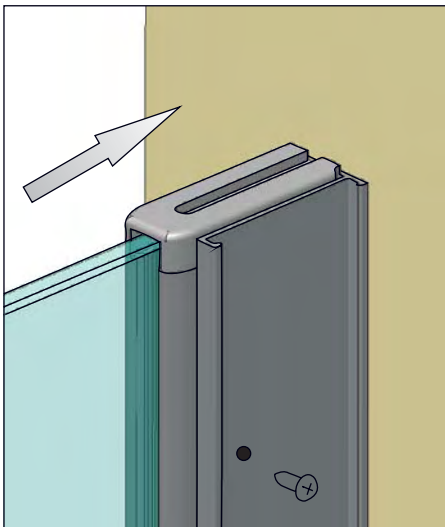
Top Plug
Push in to Rail

NOTE : Bottom Seal & base pad may be omitted in favour of silicone sealant bead if preferred.



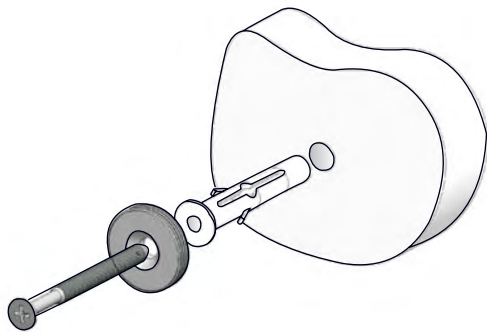
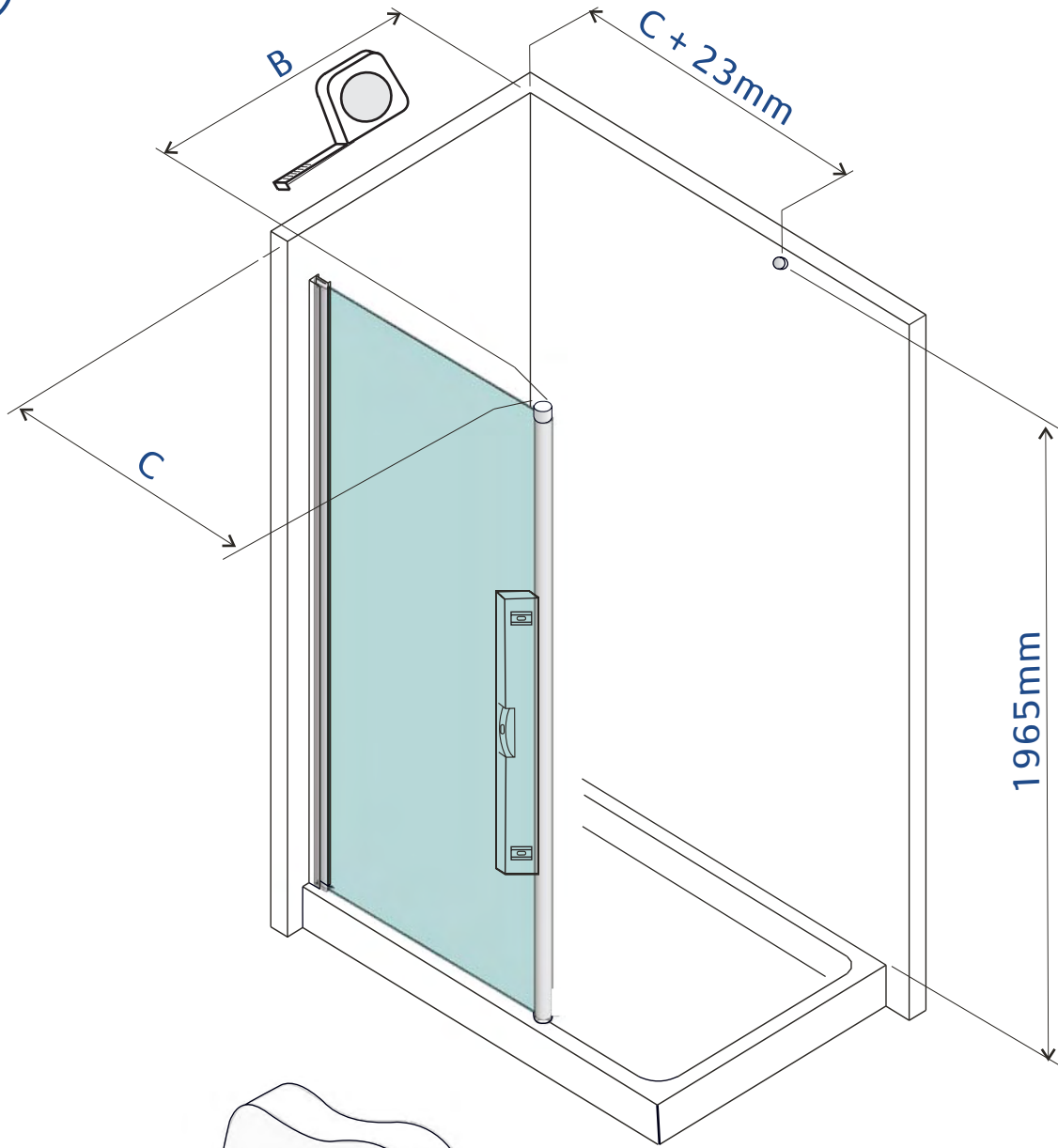
Bottom plug
Apply clear silicone to glass slot & rail face. Press into rail & wipe off excess sealant.

C Assemble Main Panel into Wall Rail



With main panel in desired position & plumb in wall profile, from inside, using wall rail holes as a guide, drill (dia 3mm) & screw main panel to wall rail (3x 3,5x10 pan head screws)

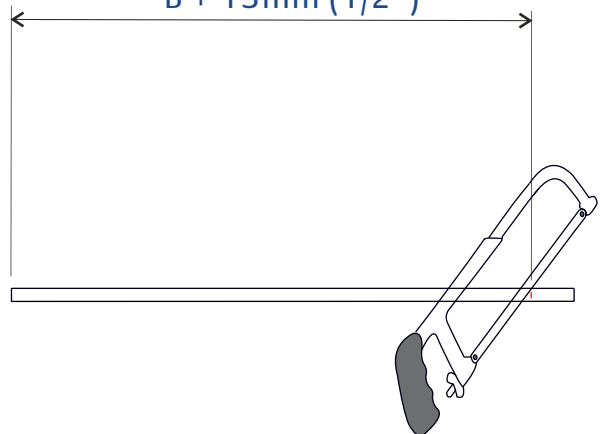
D



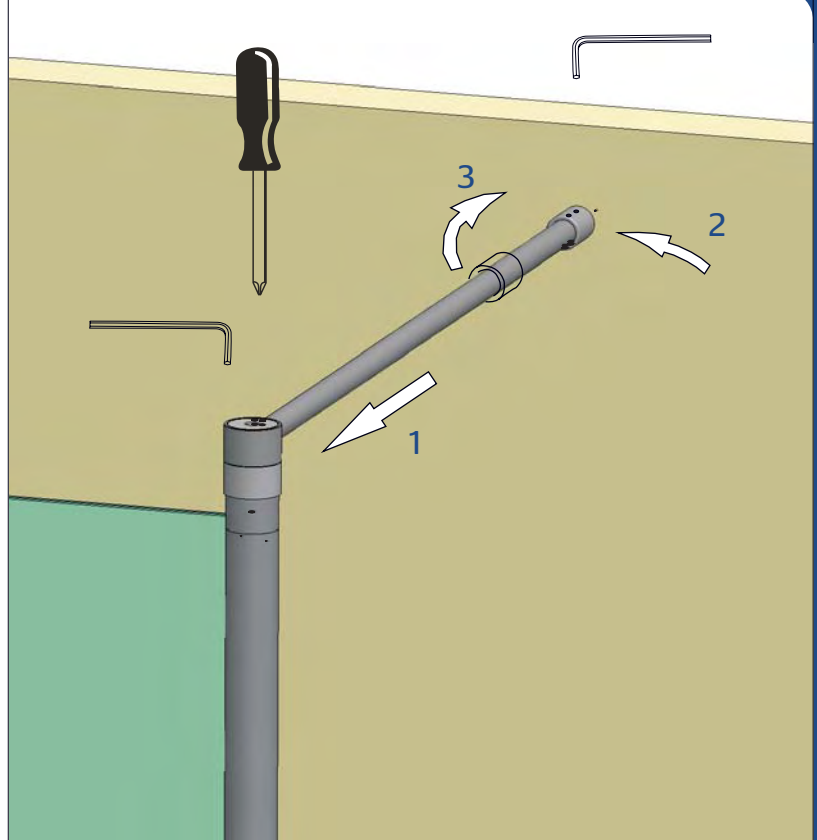
Measure distance from side wall to inside of post (C). Measure, mark & drill dia 8mm, fit wall plug & threaded wall plate

With door post vertical, measure distance between back wall & inside of post (B). Mark & cut bar to

$B + 13\text{mm}$ (1/2")



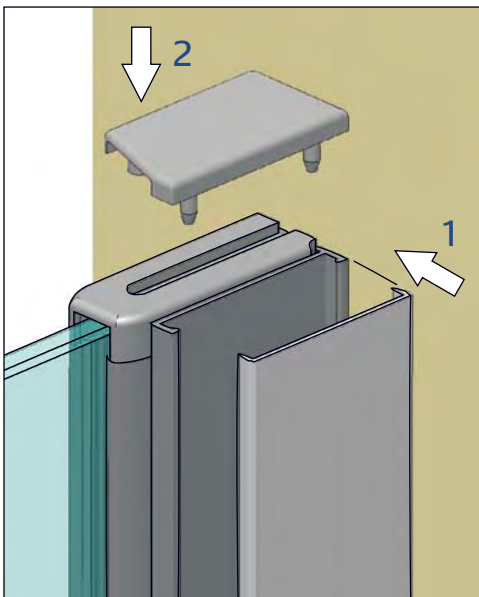
E



Fit Finial onto Post Top using M6 x 35 C/Sunk screw. Lightly tighten screw only at this stage to permit finial to revolve. Fit finial ring & align cross holes.

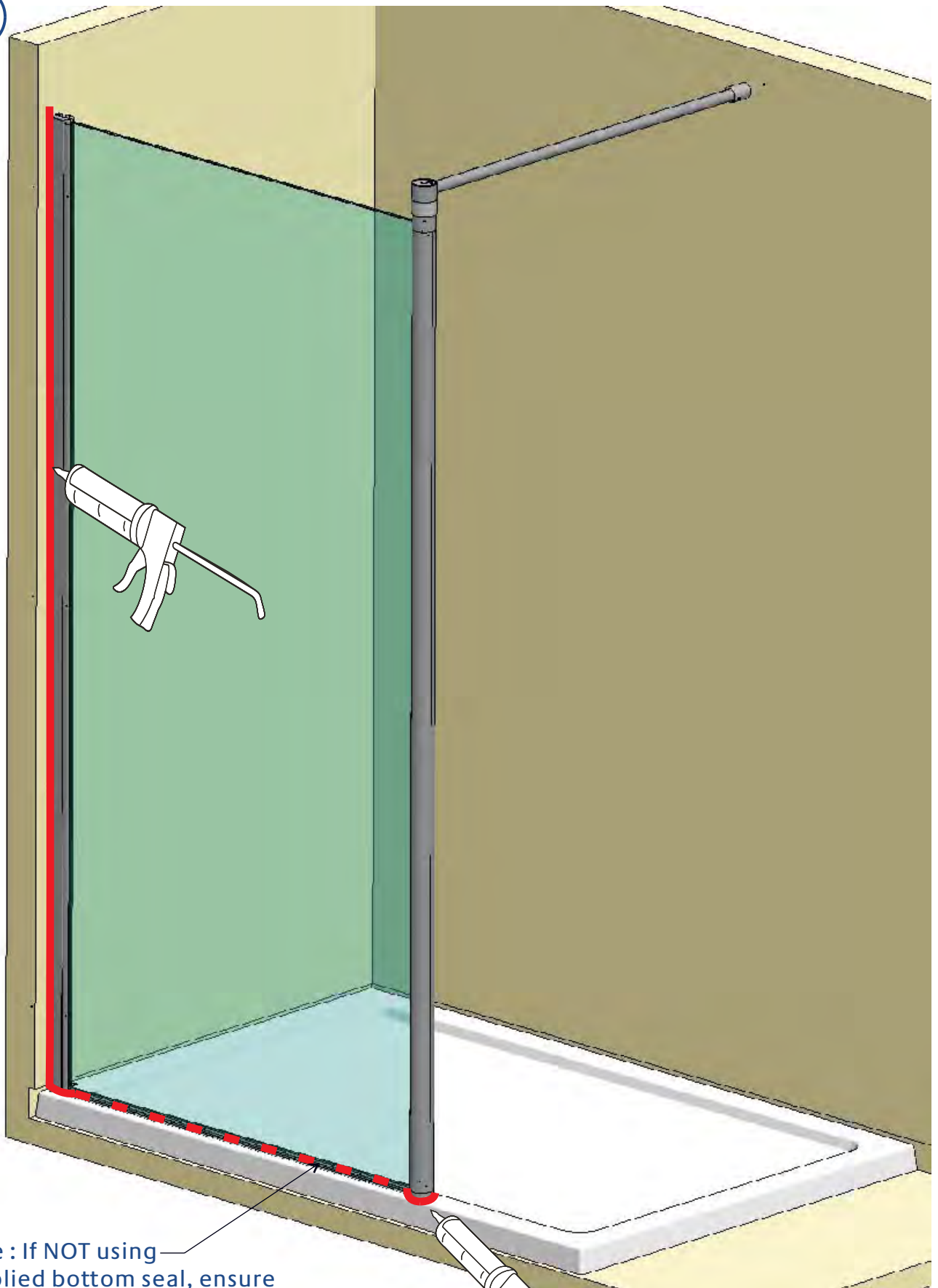
1. Fit bracing bar into finial
2. Slide sleeve (wall bracket) onto bar, position bar inline with wall plate &
3. Screw sleeve upto wall, then undo until grub screws are at top position. Ensure bar is in desired position & tighten grub screws (2x wall bracket & 2x finial) & finial centre screw.

F



1. Align top of cover section with top of wall rail & working from top to bottom, press in over entire length.
2. Select appropriate (hand) cap & press down into wall rail (clear silicone may be used to retain ~ wipe off all excess).

G



Note : If NOT using supplied bottom seal, ensure silicone sealant is applied over 'dotted' length also !

Use of good quality silicone sealant & cleaning / degreasing of all joint areas is recommended.
Apply continuous silicone sealant bead as indicated EXTERNALLY ONLY.

BASIC TROUBLESHOOTING :

Leakage :

The sealing method described in these instructions relies on a continuous seal being applied between shower walls & tray before installing the enclosure (see fig A), it ensures a watertight seal around the perimeter of the enclosure to the shower walls & tray.

In the unlikely event of an enclosure leak, water will be visible on the outside of the enclosure itself, or around the perimeter silicone seal ONLY. Water / moisture appearing outside this area (ie at floor level) is normally due to incorrect tray installation.



Lakes Bathrooms Ltd
Alexandra Way
Ashchurch
Tewkesbury
Gloucestershire
GL20 8NB

Service : England, Scotland, Wales
8.30am—5pm Mon~ Thurs
8.30am—4.30pm Fri
Tel / HELPLINE : 01684 853870
Fax : 01684 857411
www.lakesbathrooms.co.uk
email : admin@lakesbathrooms.co.uk

Service : Northern Ireland
Ian A Kernohan
Firtrees
Green Way Industrial Estate
Conlig
Northern Ireland
BT23 7SU

8.30am - 5pm Mon~Thurs
8.30am - 4.30pm Fri

Tel : 02891 270233
Fax : 02891 270597
Email : info@iakonline.com