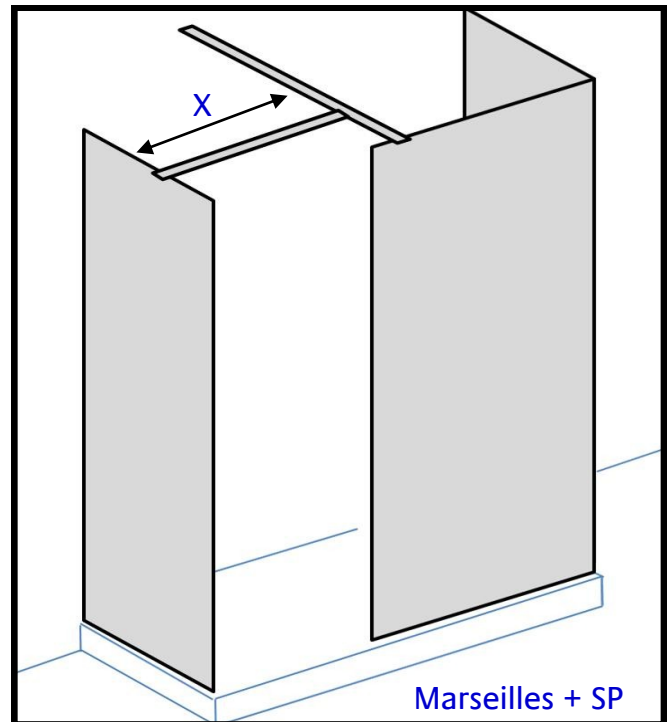
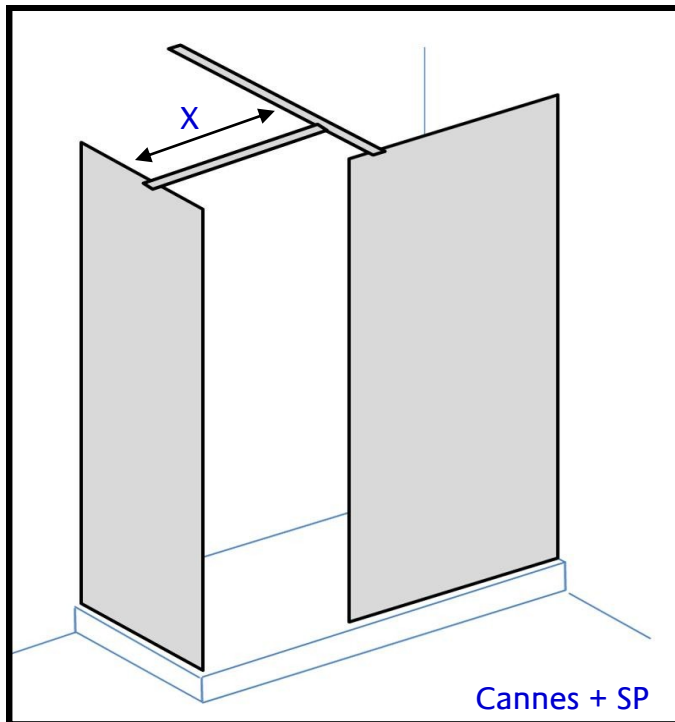


# SK-65 Inst ~ 90° Bar Joining Bracket (Coastline)

## Cannes / Marseilles + Side Panel Installation

Rev 04.12

90° bar joining bracket to enable Cannes / Marseilles to be used in conjunction with a side panel.



Refer also to Coastline Installation Instructions :

1. Assemble Cannes/Marseilles shower screen complete with front to back bracing bar.
2. Assemble side panel ~ do not fit side panel bracing bar at this stage.
3. Measure the internal distance between side panel glass & front to back bracing bar (X).
4. Carefully cut & deburr side panel bracing bar to X-6mm.
5. At 'factory cut' end of bar, fit joining bracket to bar end & mark hole position. Remove bracket & drill dia 4mm hole through top surface of bar only. Refit bracket & affix with (3,5x12) CSK screw.
6. Using bracket as a guide, mark & drill dia 2,5 ~ 3mm hole through top surface of front to back bracing bar & affix with (3,5x12) CSK screw.

