

SHOWER TRAY INSTRUCTION

40mm Rectangle Shower Tray

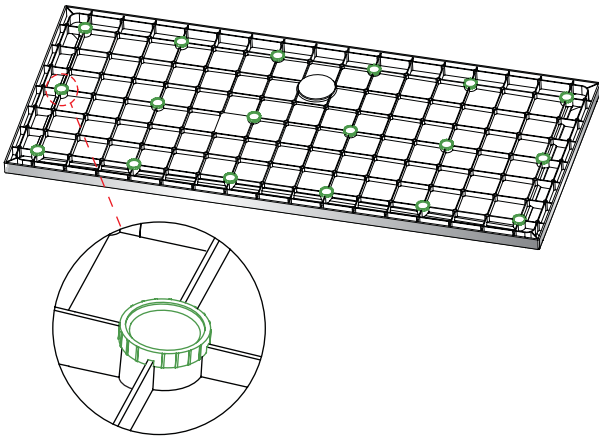
Helpline :

01684 853870

www.lakesbathrooms.co.uk

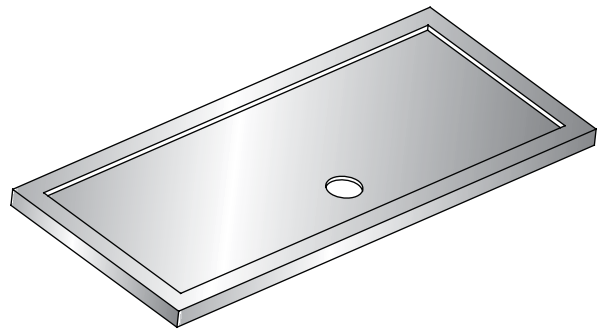
ON FLOOR INSTALLATION

①



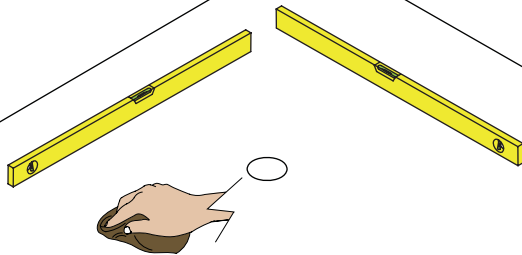
Please note on the rear of the tray are green caps that should only be removed if legs and panels are to be used.

②



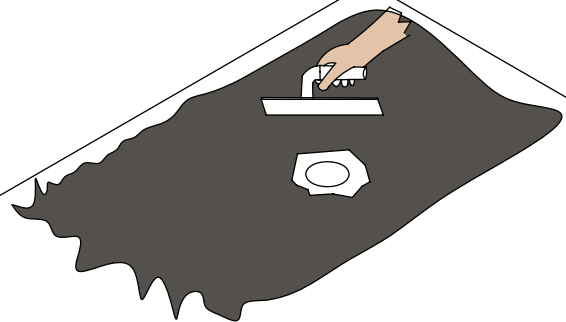
Remove protective plastic film from the areas near the waste and those sides of the tray which will be against a wall.

③



Ensure that the location of the shower tray is firm, level, and clean.

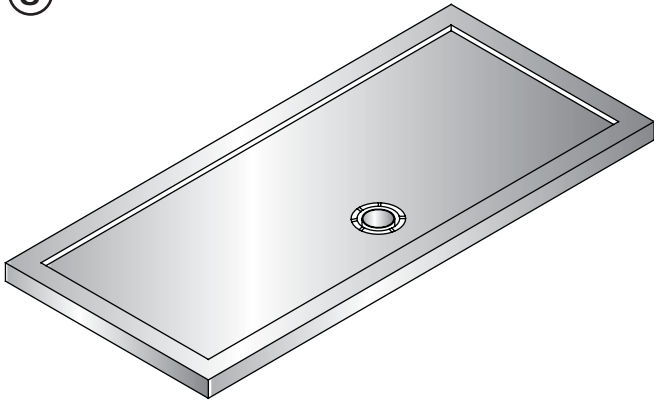
④



Install the shower tray on a 15mm depth of weak cement mix (sand/cement ratio 5:1). Tile adhesive can be used as an alternate to sand or cement. Please note if using water based adhesives, to enhance the bonding it is suggested that a suitable primer is applied to the base of the shower tray before installation.

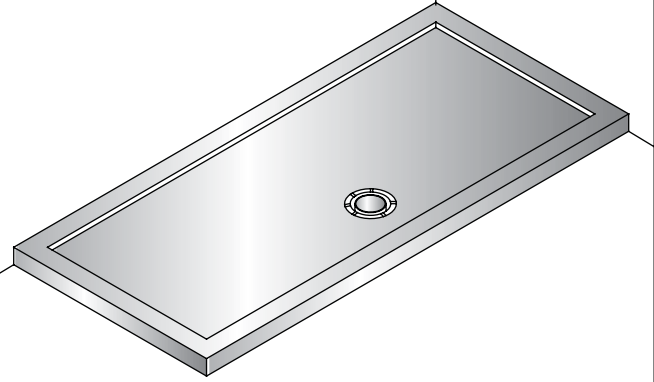
ON FLOOR INSTALLATION

5



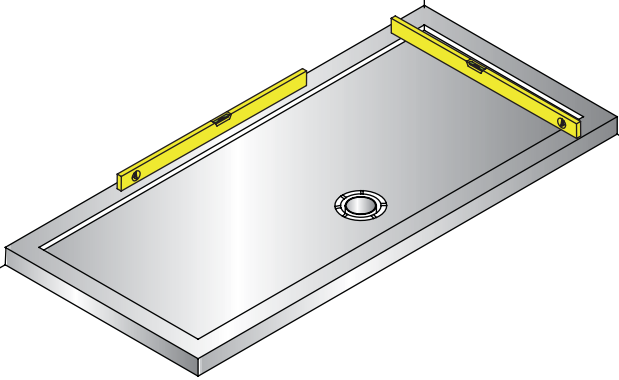
Fit the shower tray waste.

6



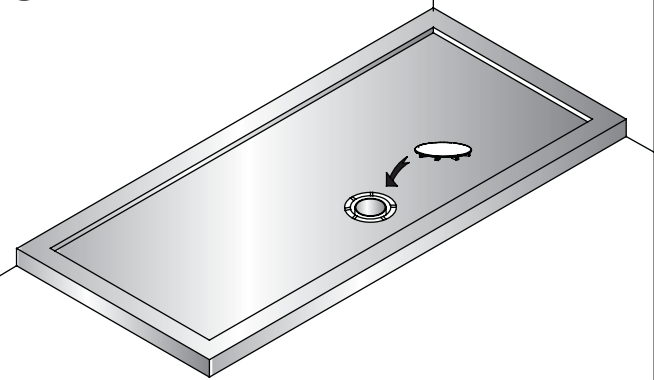
Ensure the two sides edges are flat to the wall. Place the shower tray onto the cement bed and apply gentle pressure with the palm of the hand to bed the tray into position.

7



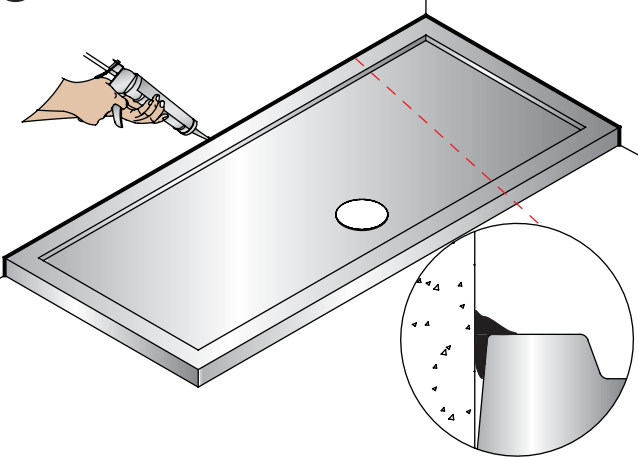
Level the tray and allow to set.

8



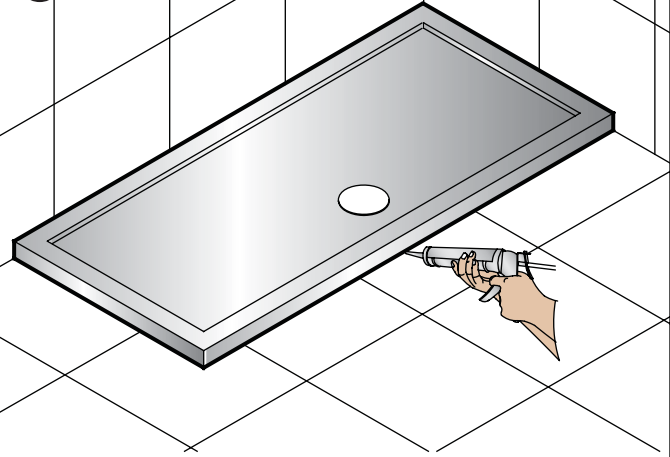
When shower tray is set remove the remainder of the protective plastic film and connect the waste pipe and check for leakage.

9



Please seal joints between tray and wall with an anti fungal silicone sealant and allow to set.

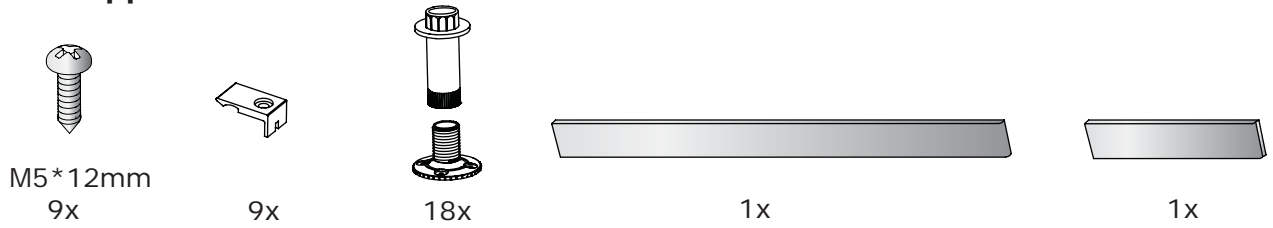
10



Tile and seal joints with an anti fungal silicone sealant and allow to set.

RAISED INSTALLATION - Panel Pack 1 SMC

Parts Supplied:



1

Turn the tray over and use the cardboard packaging as a protective mat. Remove the green caps.

2 ⚠ For these instructions the layout shown for the symbols on the base of tray is a guide, and each size of tray will have a slightly different layout. Therefore depending on the tray you may have extra legs which are not required. For this Panel Pack 1 SMC please note the following combinations, and details of feet that you would use:

- 1200mm x 760mm x 40mm - 12 legs
- 1200mm x 800mm x 40mm - 12 legs
- 1200mm x 900mm x 40mm - 12 legs
- 1400mm x 800mm x 40mm - 15 legs
- 1700mm x 760mm x 40mm - 18 legs

Insert the feet to the indicated positions.

3

Screw the panel clips into position on the side that the panels will be attached.

4

All feet should be adjusted to 100mm.

5

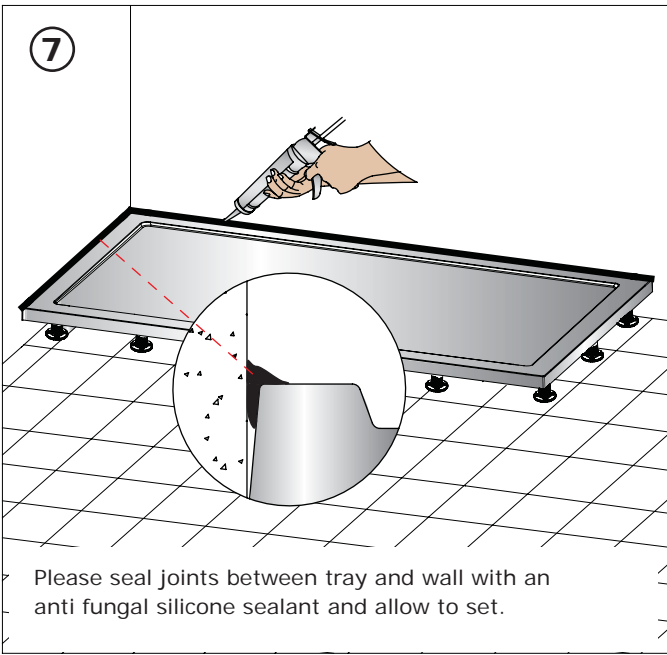
Turn the tray over. Remove protective plastic film from the areas near the waste and those sides of the tray which will be against a wall. Fit the shower tray waste.

6

Ensure the two sides edges are flat to the wall. Place the tray into position and level both ways using the legs. After the tray has been levelled adjust all the inner feet to stabilise the tray. When level fix these legs to the floor with silicon sealant or 'no more nails' type adhesive.

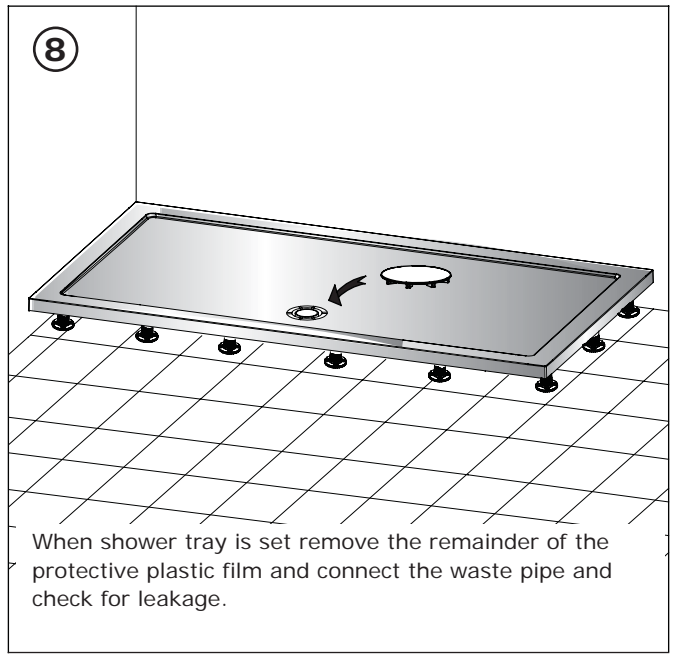
RAISED INSTALLATION

7



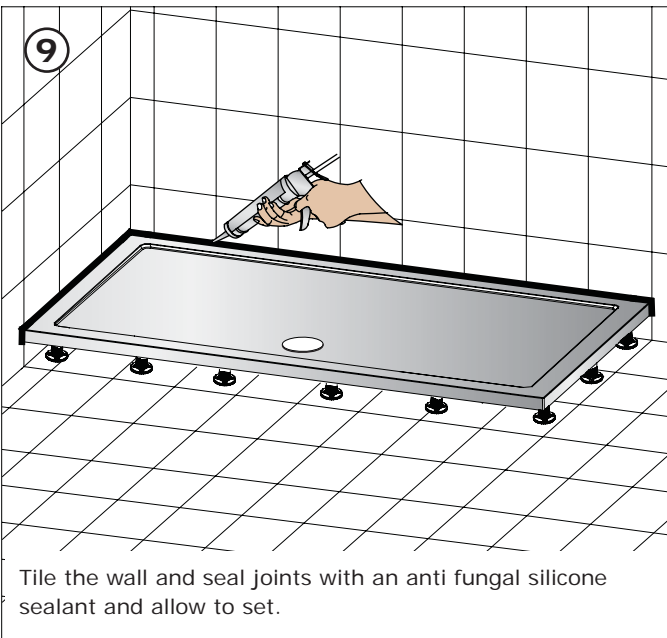
Please seal joints between tray and wall with an anti fungal silicone sealant and allow to set.

8



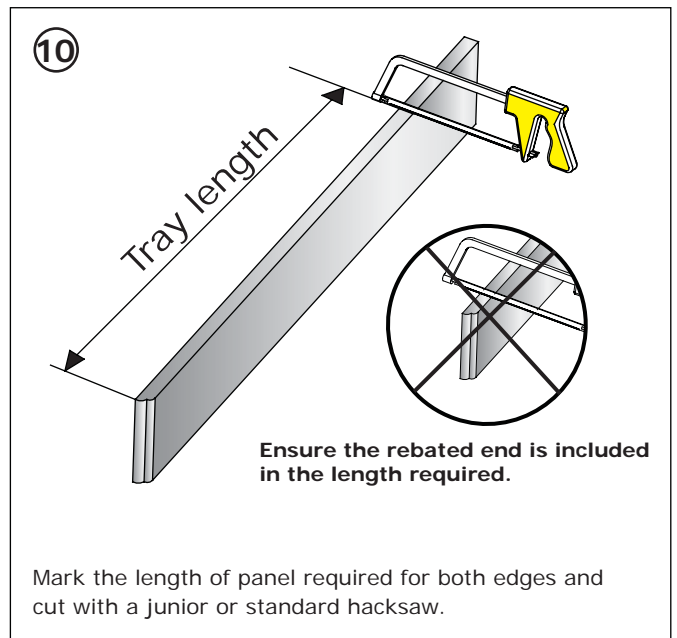
When shower tray is set remove the remainder of the protective plastic film and connect the waste pipe and check for leakage.

9



Tile the wall and seal joints with an anti fungal silicone sealant and allow to set.

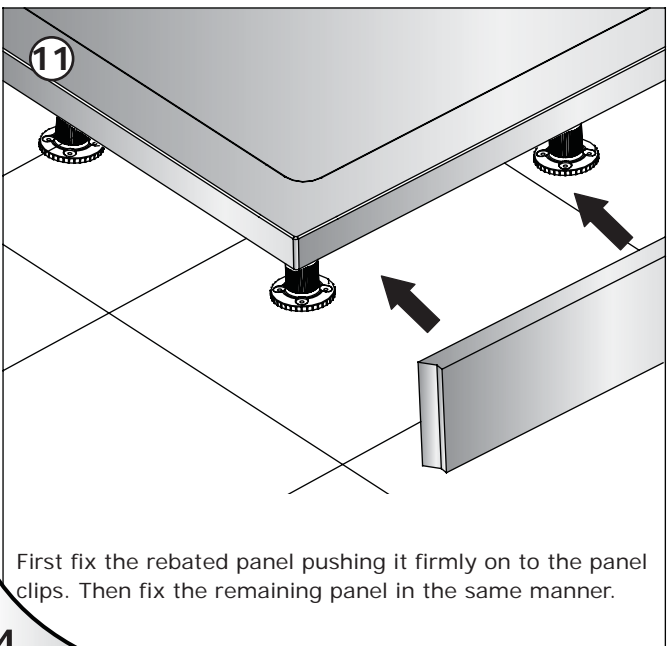
10



Ensure the rebated end is included in the length required.

Mark the length of panel required for both edges and cut with a junior or standard hacksaw.

11



First fix the rebated panel pushing it firmly on to the panel clips. Then fix the remaining panel in the same manner.

12

