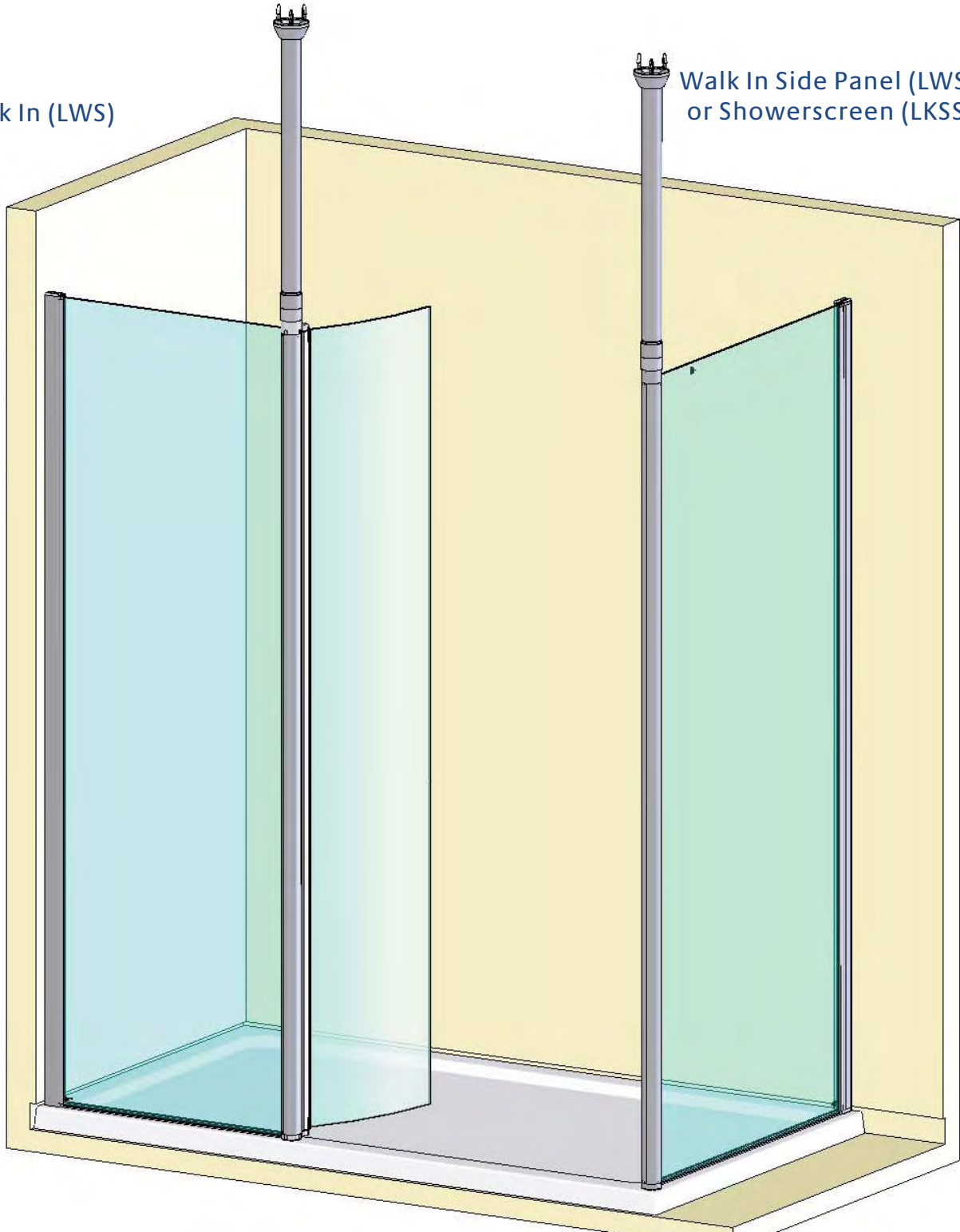


# CEILING BRACE (for LWS etc). Installation Instructions

Walk In (LWS)

Walk In Side Panel (LWSP  
or Showerscreen (LKSS)



## IMPORTANT NOTES :

Please Read Carefully & Retain these instructions for Future Reference.

1. For ease & safety we advise that two persons assemble this product.
  2. Protect shower tray surfaces at all times.
  3. Check for cables, pipes etc before drilling.
  4. Unpack goods with care (small parts can become lodged in packaging & inadvertently discarded). Check parts supplied against parts & fittings listed herein.
- Damaged parts / Omissions may be resolved by calling Lakes Bathrooms Helpline.
5. Whilst precautions are taken in manufacture, care must be taken when handling as sharp edges may be present.

## Customer Service.

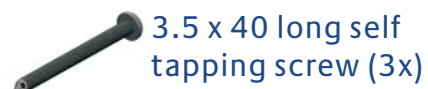
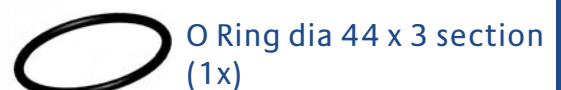
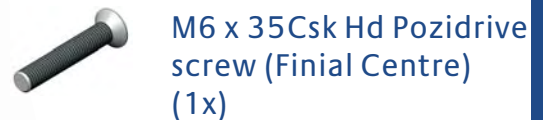
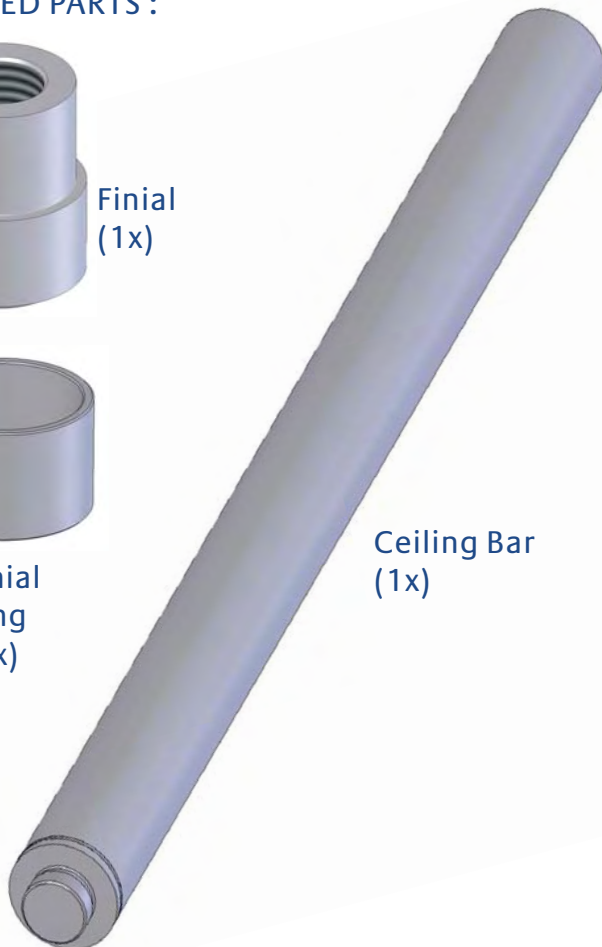
**Quality Guarantee :** Lakes Bathrooms Ltd guarantee Shower Doors & Enclosures against any manufacturing or material defects for the lifetime of the product. We will resolve defects free of charge by repairing / replacing parts as we feel necessary. To be 'free of charge' service work must be carried out by Lakes Bathrooms or approved agents.

**Not Covered by this Guarantee :** Damage or defects that result from improper installation, improper use, or lack of maintenance (including limescale buildup). Damage or defects that result from repairs / modifications undertaken by unauthorized persons. This guarantee is in addition to statutory & other legal rights.

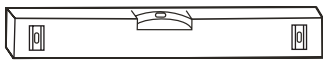
**What to do if something goes wrong :** Should the product not function correctly on initial use, firstly, contact the installer to check that unit installation & commissioning are in accordance with these instructions. Should this not resolve difficulties or should performance decline, consult 'Troubleshooting' section to see if simple home maintenance is needed. Alternatively our HELPLINE staff can assist, or if necessary arrange for a service engineer to visit.

**Spares :** We maintain extensive spare part stocks. Spares can be ordered / purchased from your retailer in the first instance. Parts will normally be dispatched within two working days from order placement. Pro Forma invoices will be sent for cheque payments.

## SUPPLIED PARTS :



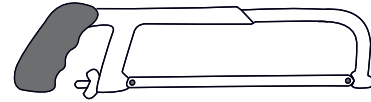
## Tools Required



Spirit Level (with vertical 'bubble')



Tape Measure



Hacksaw



Pencil



Dia 8mm  
Tile / Masonry  
Drill Bit



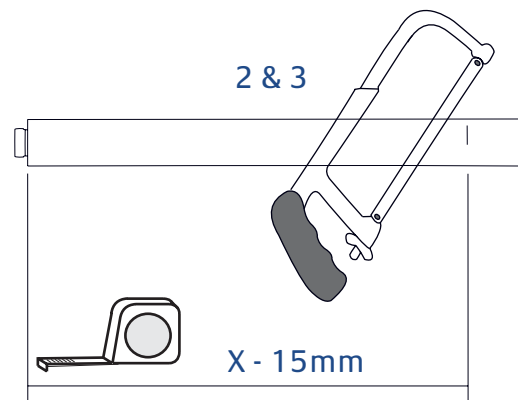
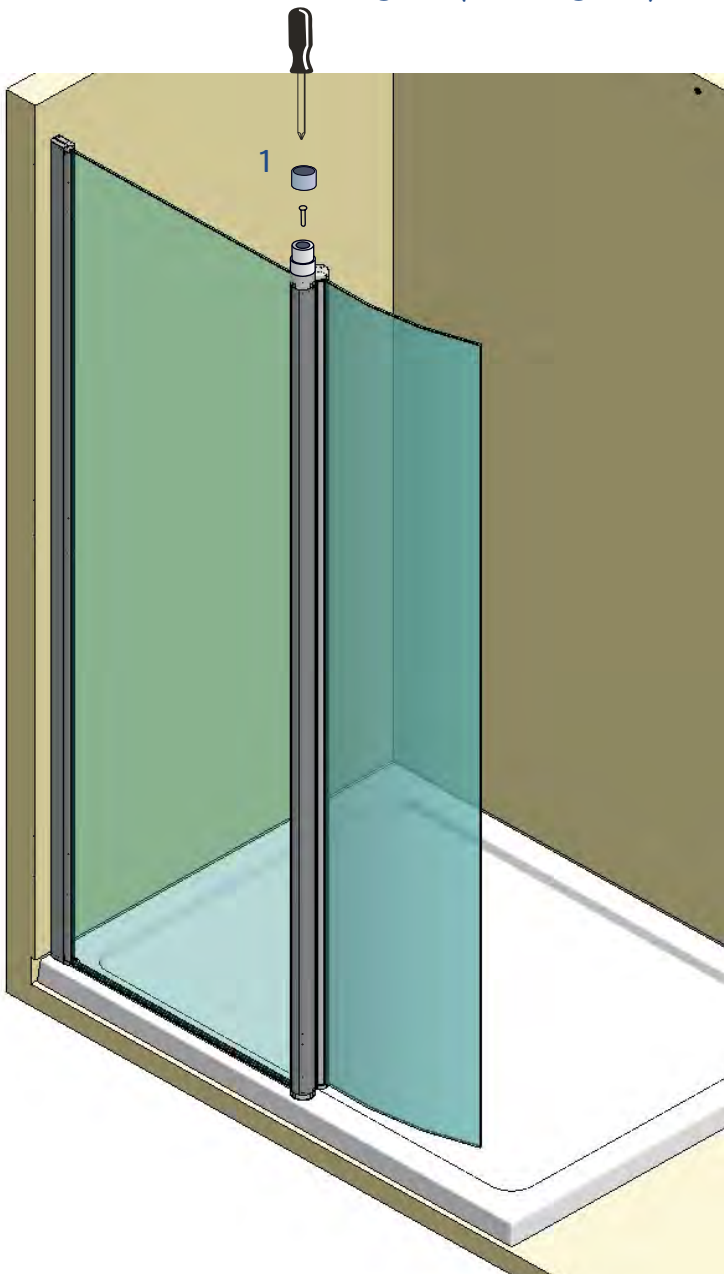
Screwdriver (Pozi Drive)

Lakes Ceiling Brace for use with Walk In, Walk In Side Panel & Showerscreen products when standard wall bracing is not possible/ not desired.

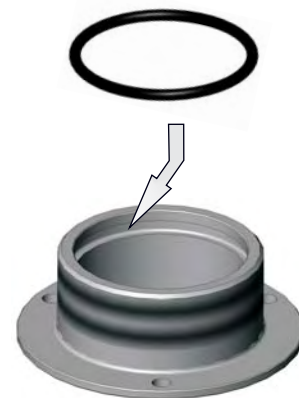
**A**

Assemble enclosure upto 'Finial' fitting stage (see respective instructions).

1. Affix (Ceiling Brace) Finial with M6 x 35 lg CSK screw & fit finial ring.
2. Measure gap from top of finial to ceiling (X).
3. Mark & cut ceiling bar (see diagram).



Remove burrs & sharp edges after cutting



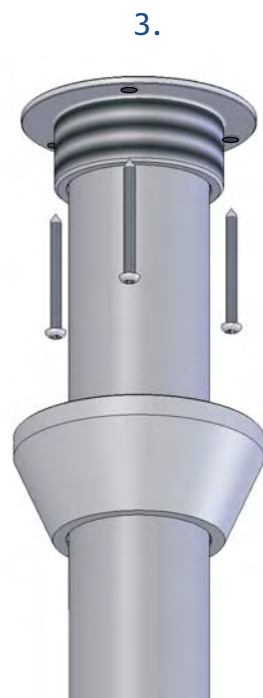
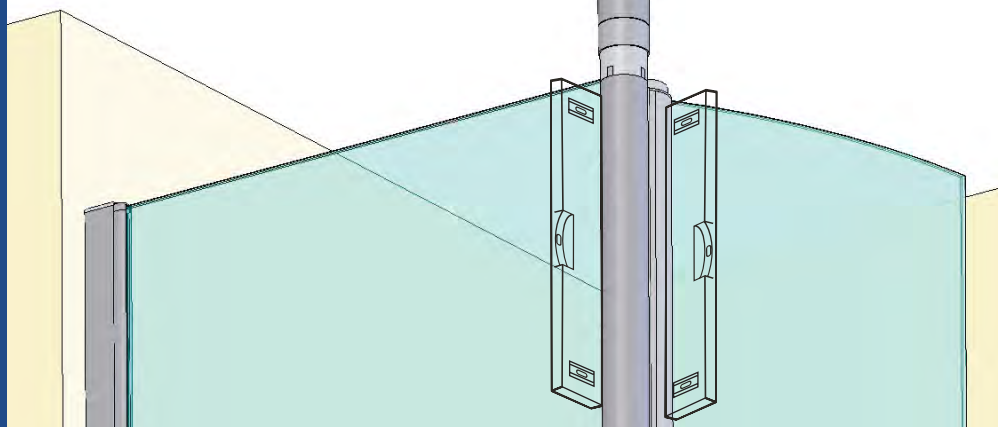
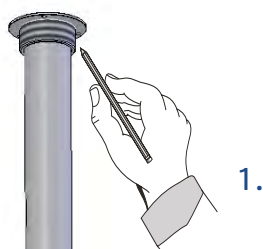
4. Assemble O ring into Ceiling Bracket (internal) groove.

**B** Assemble cover (loose) & bracket onto ceiling bar as shown, (o ring may be 'wetted' to ease fit). Screw ceiling bar into finial & lightly hand tighten.

1. With main post plumb, push bracket upto ceiling & mark fixing hole positions.

2. Drill ceiling & fit wall plugs. (Enclosure may be shifted, ceiling bracket may be slid down, or ceiling bar may be removed to ease access & prevent damage during drilling).

3. Reposition / refit ceiling bar & affix ceiling bracket with 3x self tapping screws. Slide cover up & screw onto bracket & upto ceiling until secure.



4. Grip ceiling bar & hand tighten into finial (check that bar & finial ends are entirely face to face) before proceeding with remainder of enclosure installation.



Lakes Bathrooms Ltd  
Alexandra Way  
Ashchurch  
Tewkesbury  
Gloucestershire  
GL20 8NB

Service : England, Scotland, Wales  
8.30am—5pm Mon~ Thurs  
8.30am—4.30pm Fri  
Tel / HELPLINE : 01684 853870  
Fax : 01684 857411  
[www.lakesbathrooms.co.uk](http://www.lakesbathrooms.co.uk)  
email : [admin@lakesbathrooms.co.uk](mailto:admin@lakesbathrooms.co.uk)

Service : Northern Ireland  
Ian A Kernohan  
Firtrees  
Green Way Industrial Estate  
Conlig  
Northern Ireland  
BT23 7SU

8.30am - 5pm Mon~Thurs  
8.30am - 4.30pm Fri

Tel : 02891 270233  
Fax : 02891 270597  
Email : [info@iakonline.com](mailto:info@iakonline.com)